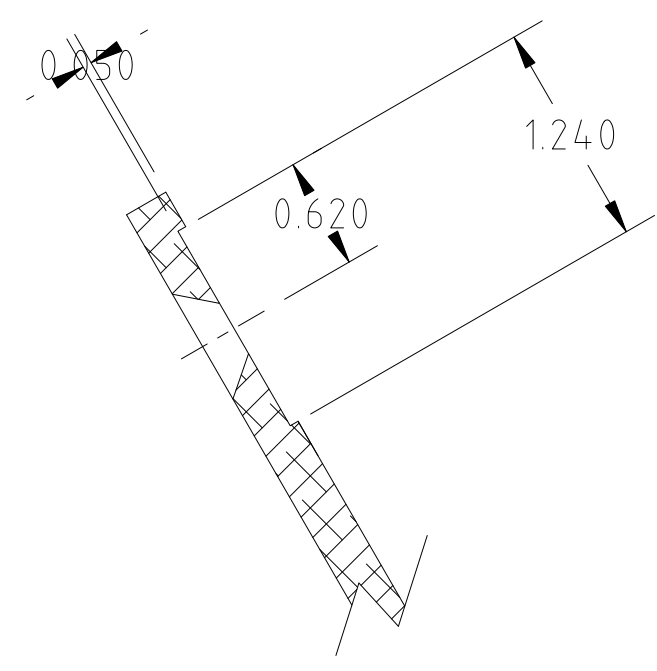
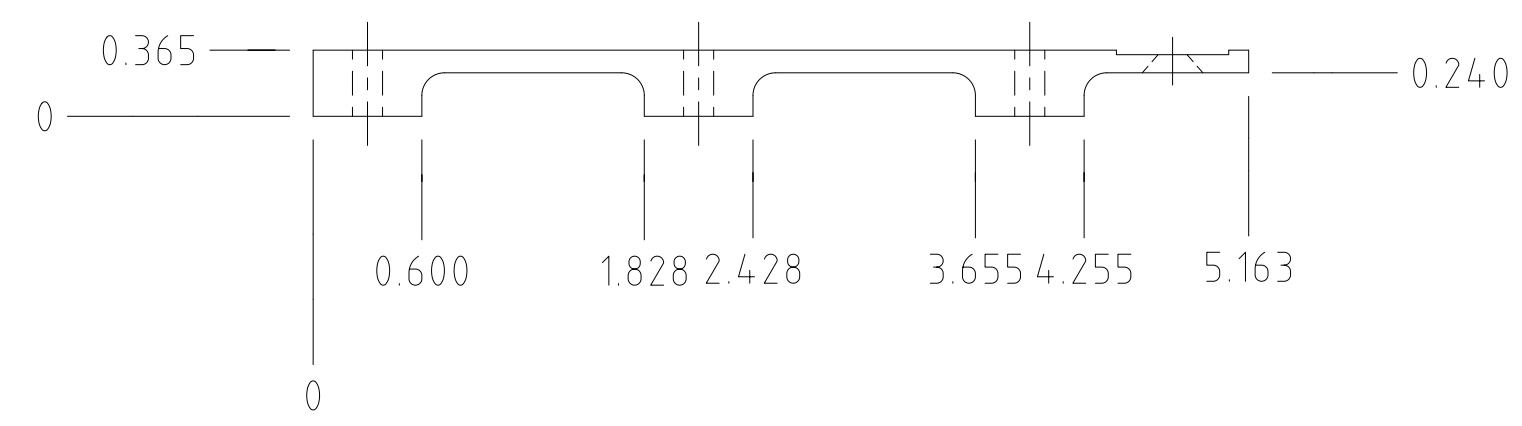
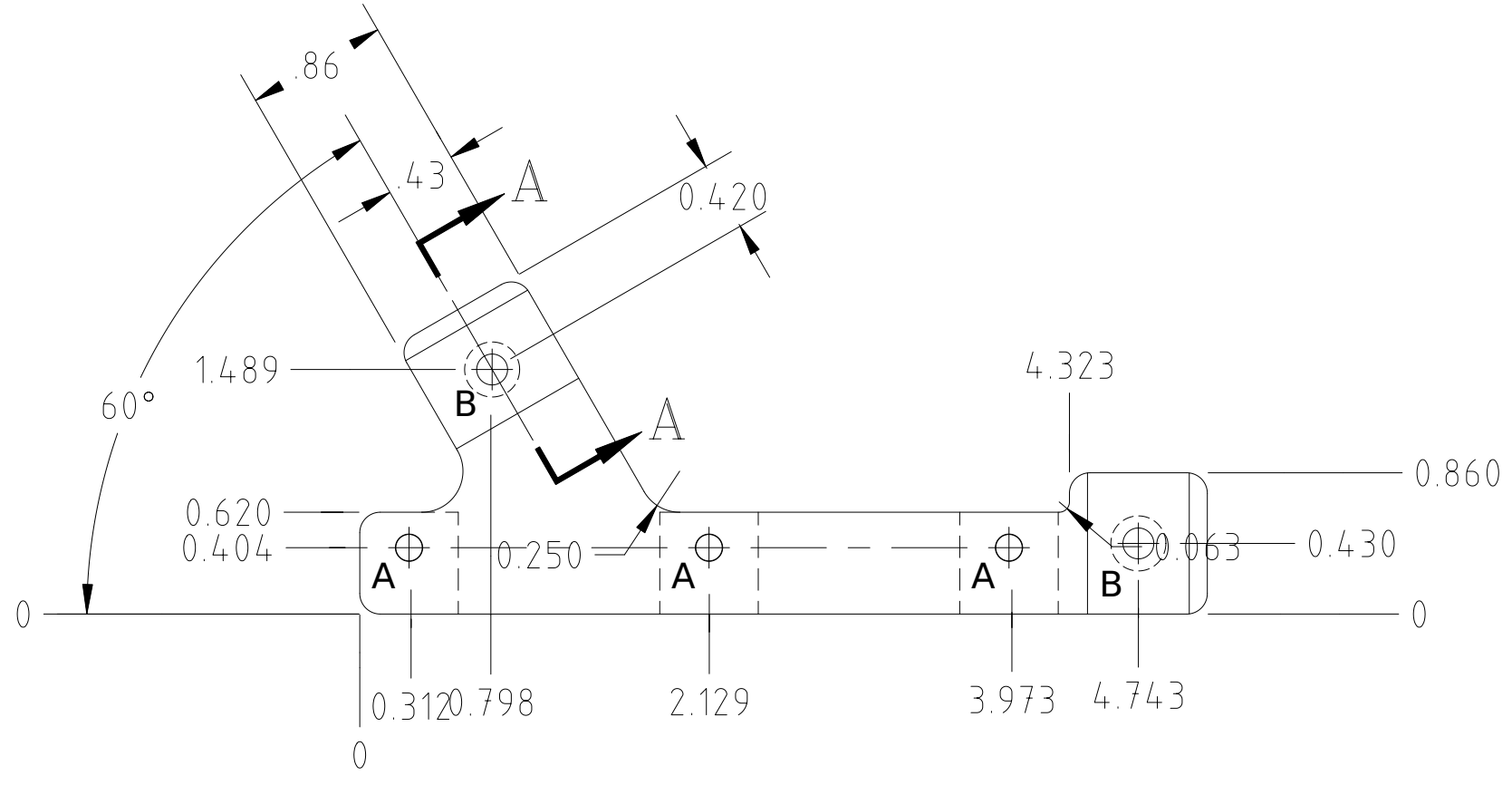


HOLE CHART		
HOLE	DESCRIPTION	QTY
A	$\varnothing.161^{+.003}_{-.002}$ THRU	3
B	$\varnothing.188^{+.004}_{-.002}$ THRU, \checkmark FAR SIDE $\varnothing.335 \times 82^\circ$	2

REVISIONS					
REV.	ECO NO.	DESCRIPTION	CHECKED	APPROVED	DATE
A	36-689	INITIAL RELEASE	P.C.T.	R.F.G.	7/25/96
B	36-796	REVISED PER ECO			



SECTION A-A
SCALE: 2X
2X



- NOTES:
1. MATERIAL: .125 THK ALUMINUM 6061-T6.
 2. R.125 UNLESS OTHERWISE SPECIFIED.
 3. DEBURR AND REMOVE ALL SHARP EDGES.
 4. CONVERSION COAT PER MIL-C-5541 CLASS 3.
 5. BAG & TAG WITH P/N & REV.

		UNLESS OTHERWISE SPECIFIED DIMENSIONS ARE IN INCHES TOLERANCE: ANGLES $\pm 1^\circ$ 3 PLACE DECIMALS $\pm .005$ 2 PLACE DECIMALS $\pm .01$	NAME	DATE	MASSACHUSETTS INSTITUTE OF TECHNOLOGY CENTER FOR SPACE RESEARCH CAMBRIDGE, MA 02139				
			DRAWN	H.C.WEST	6/20/95	<div style="text-align: center;"> CABLE BRACKET </div>			
		CHECKED	P.C.T.	7/24/96					
		APPROVED	R.F.GOEKE	7/25/96					
		MATERIAL	RELEASED	J.REPEC	7/25/96	SIZE	CAGE CODE	DWG. NO.	REV.
36-30400	ACIS	SEE NOTE 1	WEIGHT		C	80230	36-30421	B	
NEXT ASSEMBLY	USED ON	INTERPRET DIMENSIONS AND TOLERANCES IAW ANSI Y14.5M-1982			SCALE:	1/1	SHEET	1 OF 1	