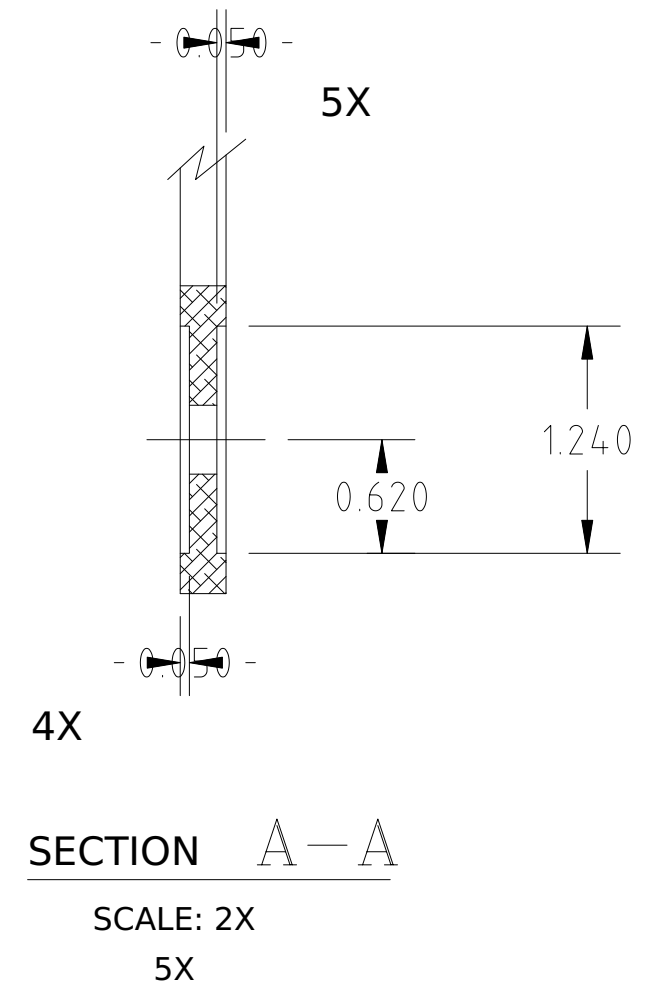
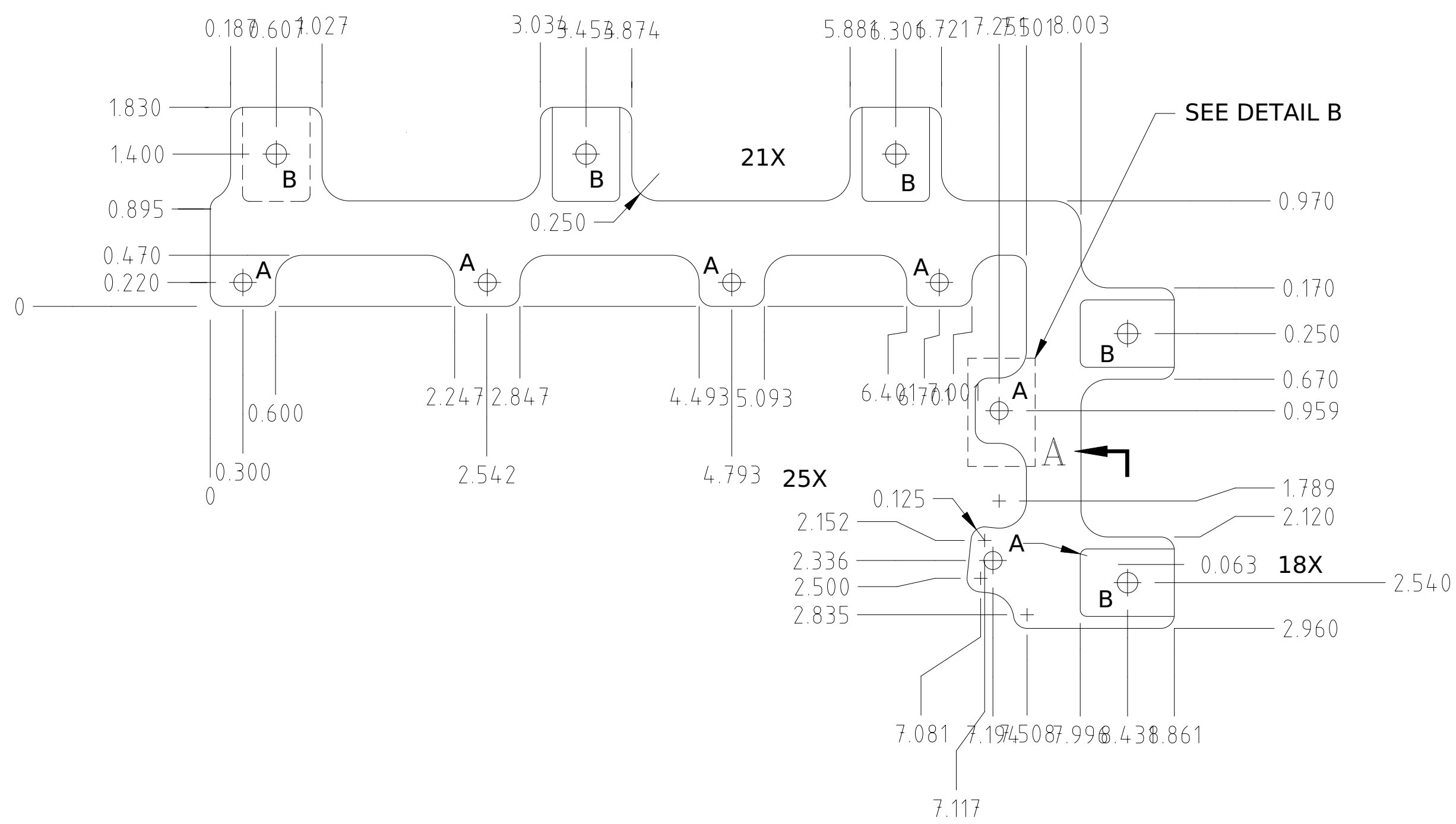
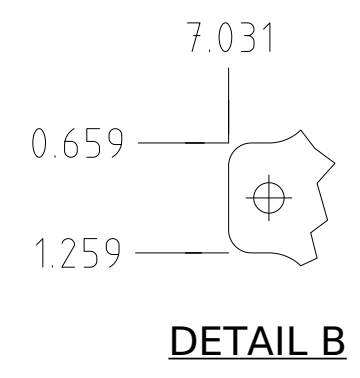


HOLE CHART		
HOLE	DESCRIPTION	QTY
A	$\varnothing.161^{+.003}_{-.002}$ THRU	6
B	$\varnothing.188^{+.004}_{-.002}$ THRU	5

REVISIONS					
REV.	ECO NO.	DESCRIPTION	CHECKED	APPROVED	DATE
A	36-689	INITIAL RELEASE			



- NOTES:**
1. MATERIAL: .125 THK ALUMINUM 6061-T6.
 2. DEBURR AND REMOVE ALL SHARP EDGES.
 3. CONVERSION COAT PER MIL-C-5541 CLASS 3.
 4. BAG & TAG WITH P/N & REV.

		UNLESS OTHERWISE SPECIFIED DIMENSIONS ARE IN INCHES TOLERANCE: ANGLES $\pm 1^\circ$ 3 PLACE DECIMALS $\pm .005$ 2 PLACE DECIMALS $\pm .01$	NAME	DATE	MASSACHUSETTS INSTITUTE OF TECHNOLOGY CENTER FOR SPACE RESEARCH CAMBRIDGE, MA 02139			
			DRAWN	H.C.WEST	7/3/96			
		MATERIAL SEE NOTE 1	CHECKED		S0 - S5 CABLE BRACKET			
			APPROVED					
36-30400	ACIS	INTERPRET DIMENSIONS AND TOLERANCES IAW ANSI Y14.5M-1982	RELEASED		SIZE	CAGE CODE	DWG. NO.	REV.
NEXT ASSEMBLY	USED ON		WEIGHT		C	80230	36-30420	A
APPLICATION					SCALE: 1/1		SHEET	1 OF 1