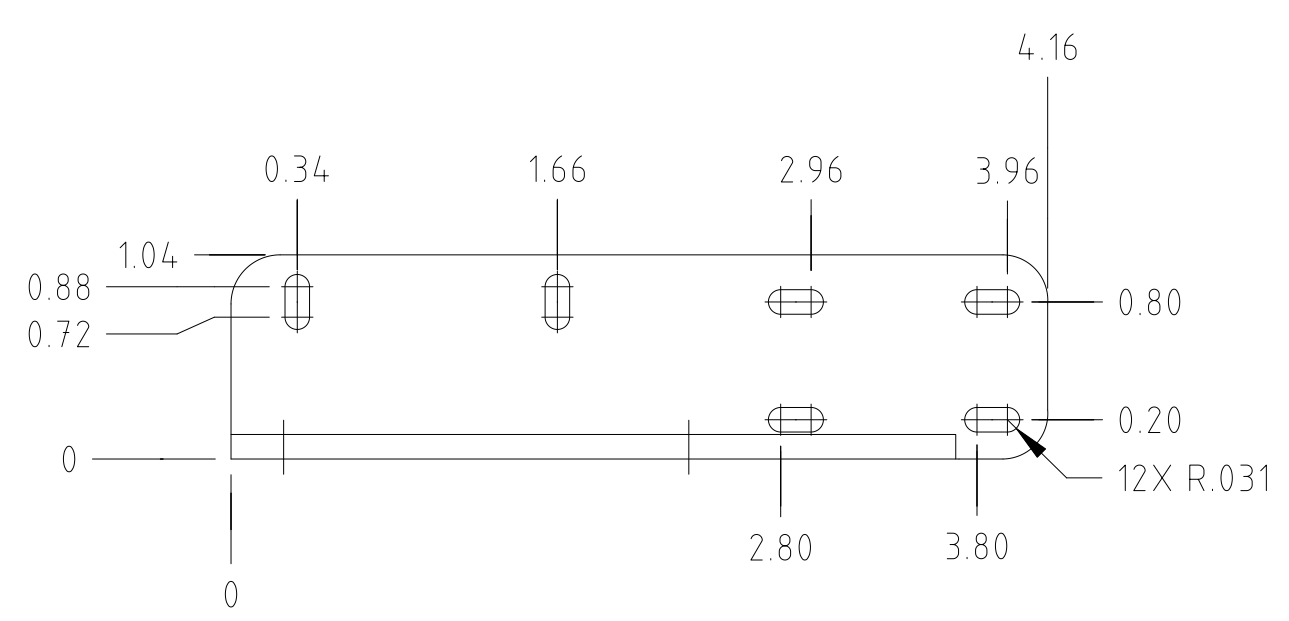
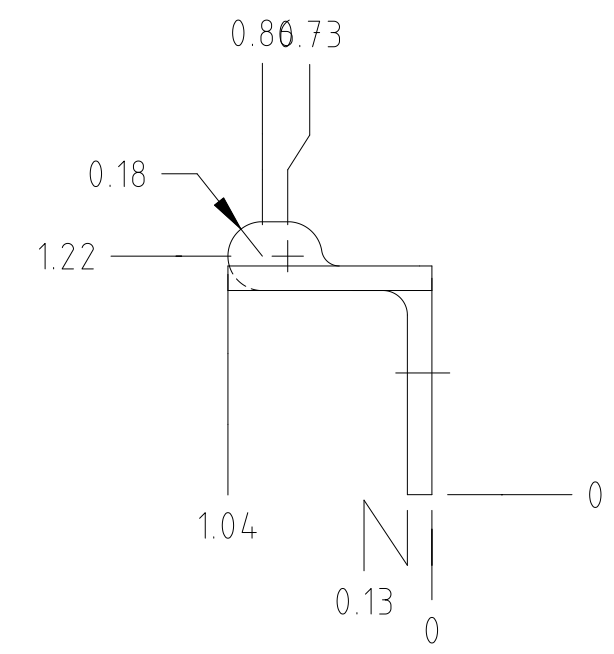
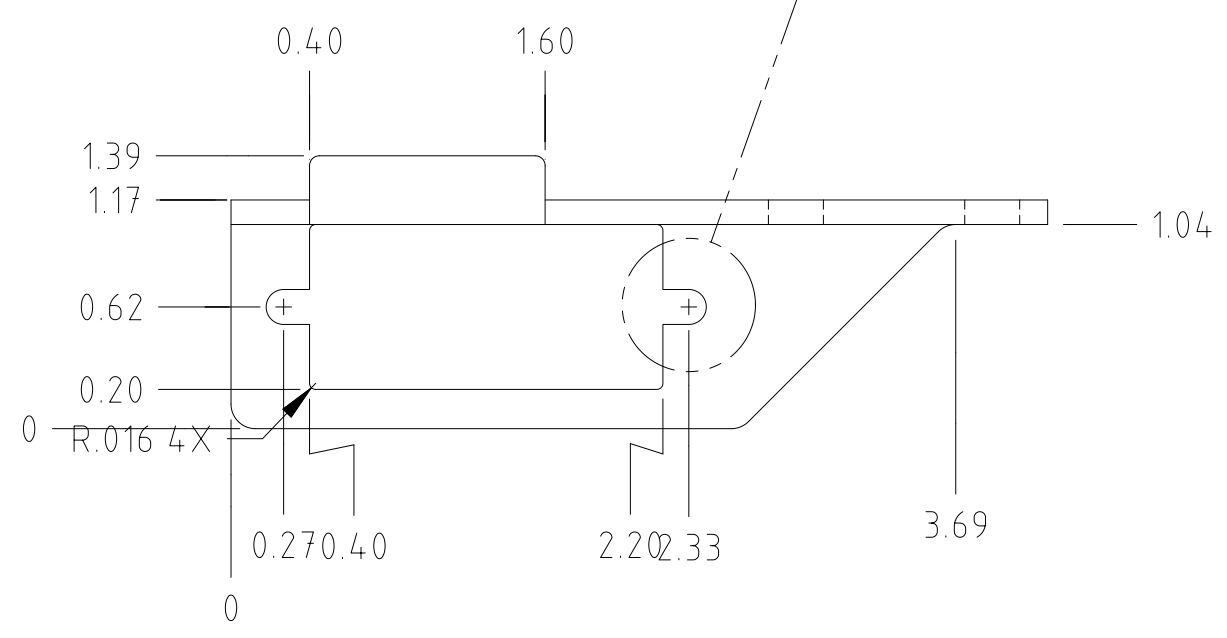
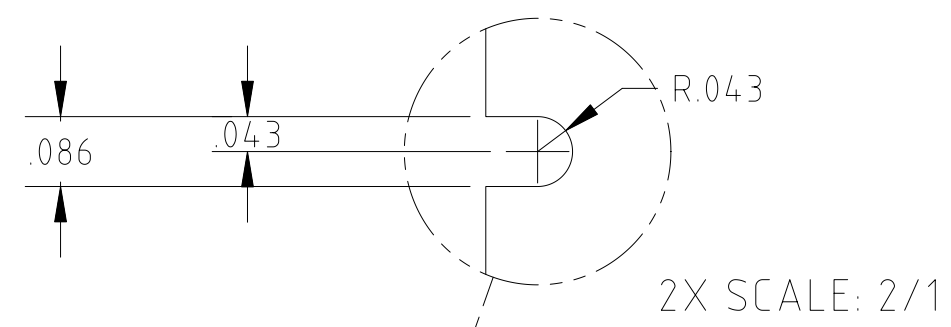
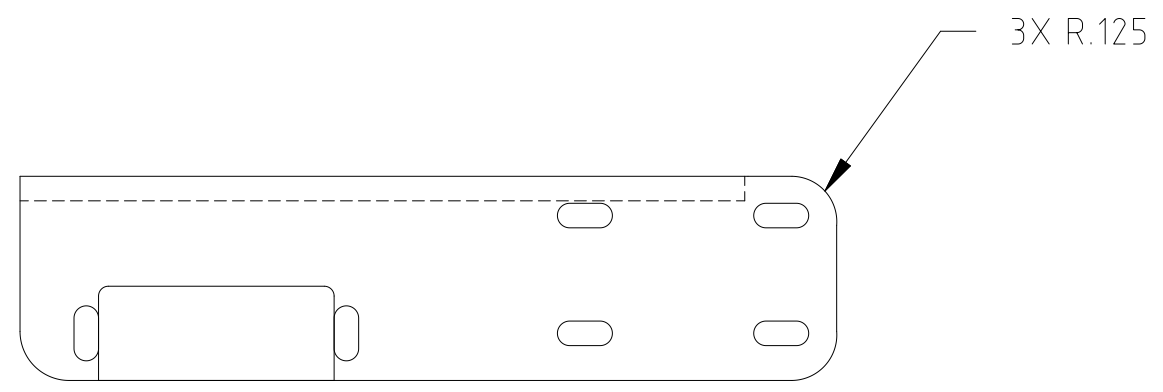


REVISIONS					
REV.	ECO NO.	DESCRIPTION	CHECKED	APPROVED	DATE
A	36-632	INITIAL RELEASE			



- NOTES:
1. MATERIAL: AL 6061-T6 PER QQ-A-250/11
 2. ALL FILLETS TO BE R.062 UNLESS OTHERWISE SPECIFIED.
 3. DEBURR AND REMOVE ALL SHARP EDGES.
 4. FINISH: CHEMICAL CONVERSION COAT PER MIL-C-5541, CLASS 3.
 5. BAG AND TAG WITH MIT DRAWING NUMBER AND LATEST REVISION.

		UNLESS OTHERWISE SPECIFIED DIMENSIONS ARE IN INCHES TOLERANCE: ANGLES ± 1° 3 PLACE DECIMALS ± .005 2 PLACE DECIMALS ± .01	NAME	DATE	MASSACHUSETTS INSTITUTE OF TECHNOLOGY CENTER FOR SPACE RESEARCH CAMBRIDGE, MA 02139						
			DRAWN	H.C.WEST	4/17/96	CABLE SUPPORT, CCD INTERFACE I/O					
		CHECKED			SIZE				CAGE CODE	DWG. NO.	REV.
		APPROVED			C				80230	36-30405.11	A
36-30405	ACIS	MATERIAL	RELEASED		SCALE:	2/1	SHEET	1 OF 1			
NEXT ASSEMBLY	USED ON	SEE NOTE 1	WEIGHT								
APPLICATION		INTERPRET DIMENSIONS AND TOLERANCES IAW ANSI Y14.5M-1982									