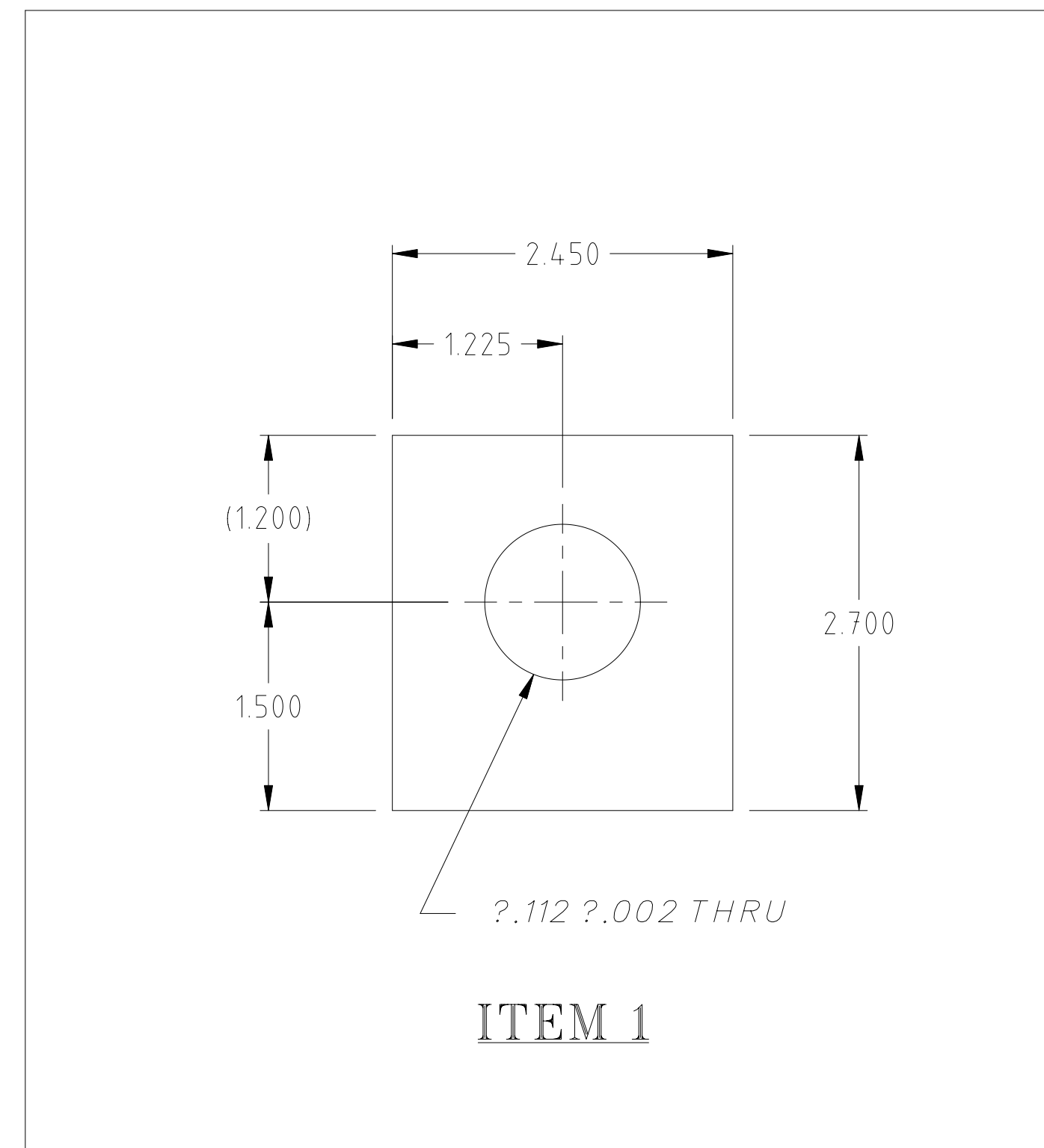
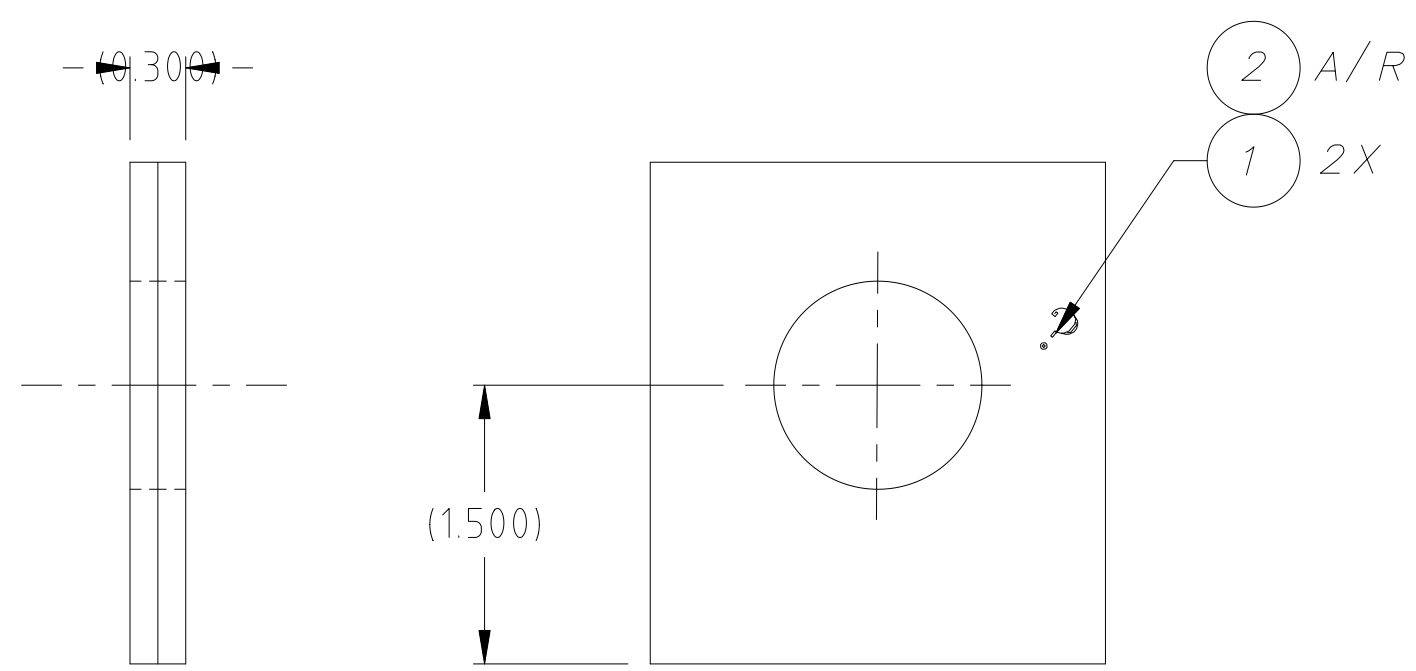


REVISIONS					
REV.	ECO NO.	DESCRIPTION	CHECKED	APPROVED	DATE
A	36-731	INITIAL RELEASE			



NOTES:

1. MATERIAL (ITEM1): G-10-015-BLK GLASS BASED LAMINATED SHEET (.015 THK).
2. BOND TWO PIECES USING A THIN LAYER OF ITEM 2 (EPON 828-V140 EPOXY).

		UNLESS OTHERWISE SPECIFIED DIMENSIONS ARE IN INCHES TOLERANCE: ANGLES ? 1° 3 PLACE DECIMALS ? .005 2 PLACE DECIMALS ? .01	NAME	DATE	MASSACHUSETTS INSTITUTE OF TECHNOLOGY CENTER FOR SPACE RESEARCH CAMBRIDGE, MA 02139	
			DRAWN M. LYONS	19AUG96		
		MATERIAL SEE NOTE 1	CHECKED		INSULATOR	
			APPROVED			
36-30301	ACIS	INTERPRET DIMENSIONS AND TOLERANCES IAW ANS Y14.5M-1982	RELEASED		SIZE CAGE CODE	REV.
NEXT ASSEMBLY	USED ON		WEIGHT		C 80230	DWG. NO. 36-30301.32
APPLICATION					SCALE 10:1	SHEET 1 OF 1