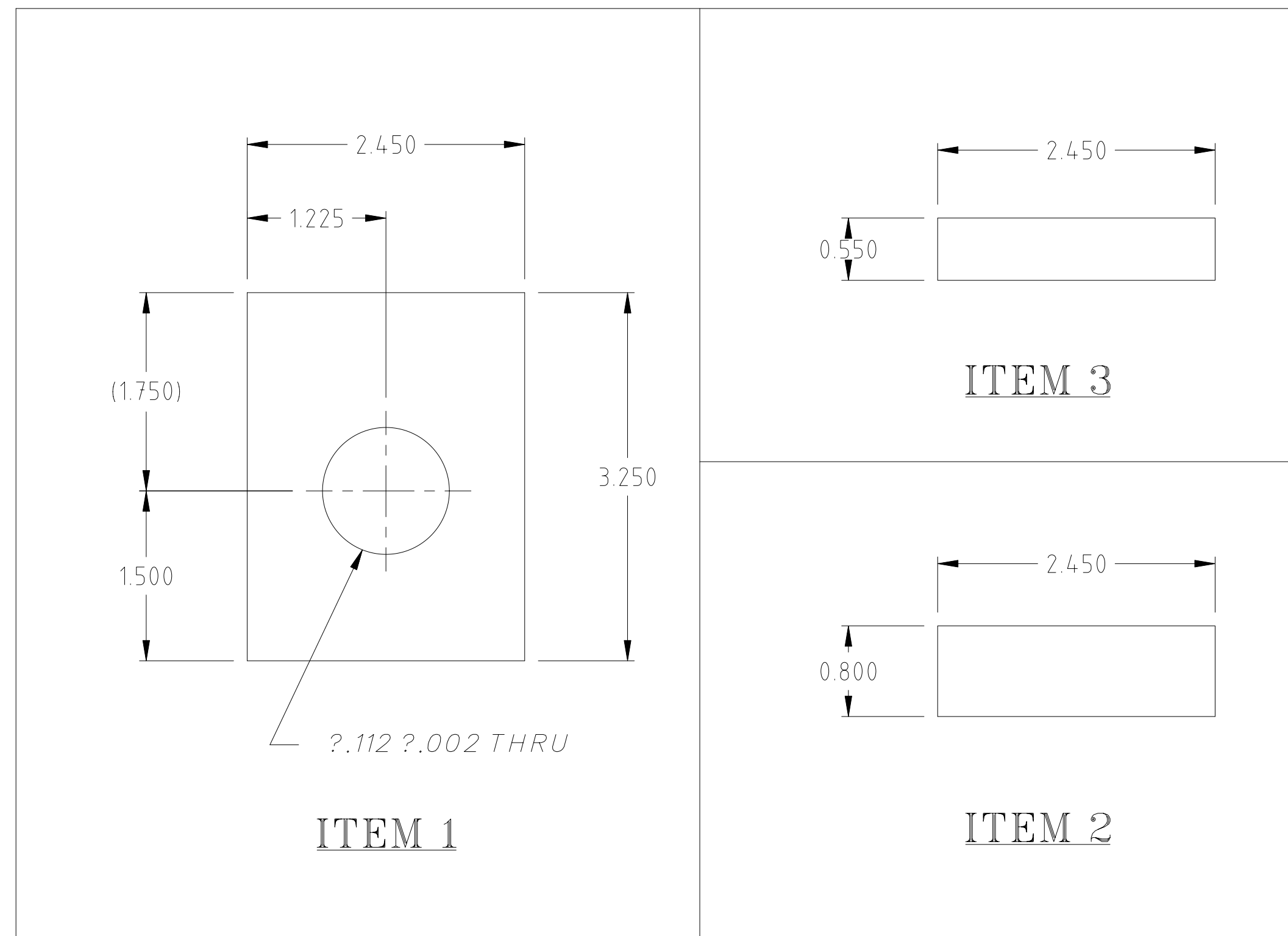
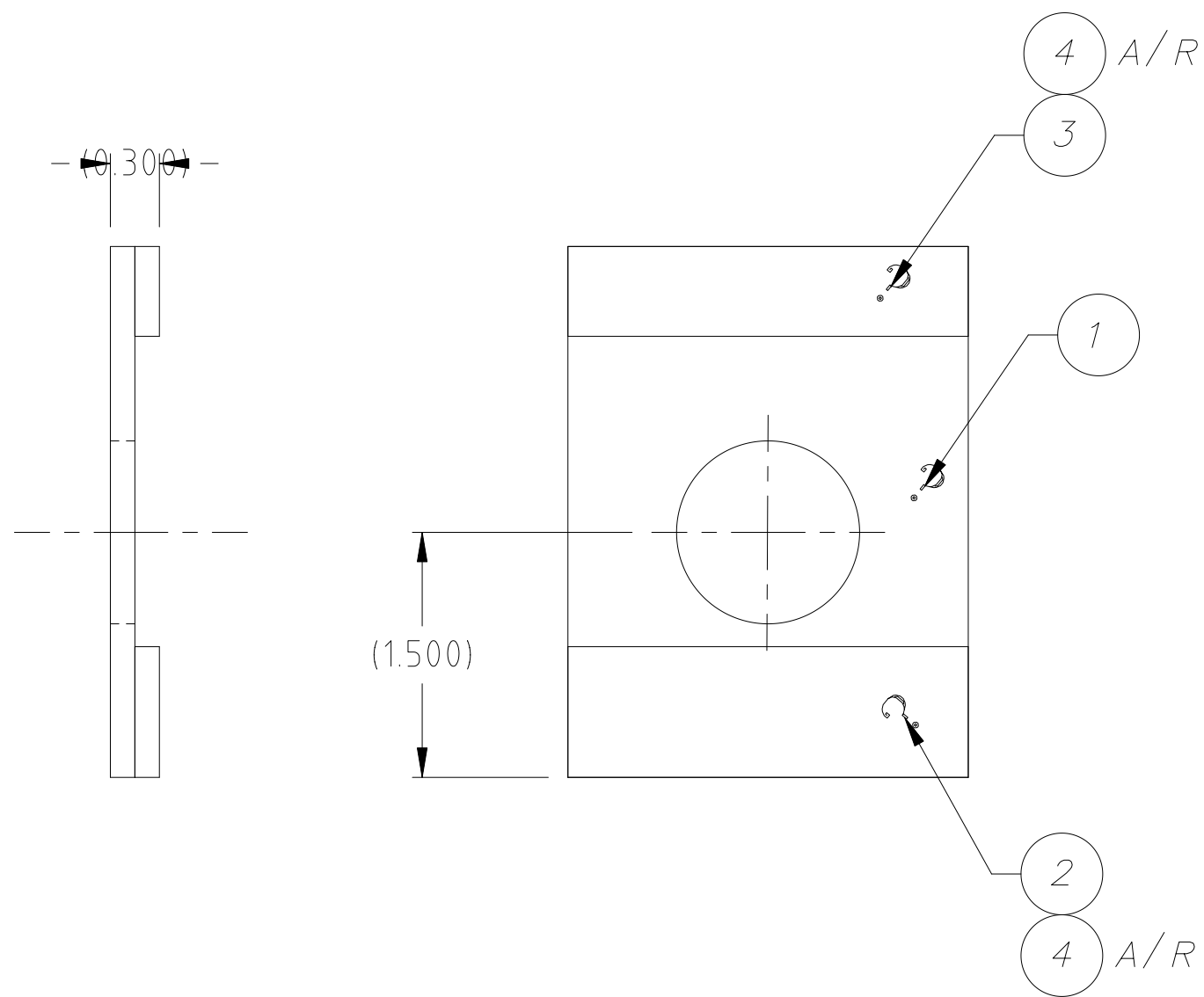


REVISIONS					
REV.	ECONO.	DESCRIPTION	CHECKED	APPROVED	DATE
A	36-731	INITIAL RELEASE			



NOTES:

1. MATERIAL (ITEMS 1,2,3): G-10-015-BLK GLASS BASED LAMINATED SHEET (.015 THK).
2. BOND ITEMS 2 & 3 TO ITEM 1 USING A THIN LAYER OF ITEM 4 (EPON 828-V140 EPOXY).

		UNLESS OTHERWISE SPECIFIED DIMENSIONS ARE IN INCHES TOLERANCE: ANGLES ? 1° 3 PLACE DECIMALS ? .005 2 PLACE DECIMALS ? .01	NAME DRAWN M.LYONS	DATE 19AUG96	MASSACHUSETTS INSTITUTE OF TECHNOLOGY CENTER FOR SPACE RESEARCH CAMBRIDGE, MA 02139	
		MATERIAL SEE NOTE 1	CHECKED		INSULATOR	
			APPROVED			
36-30301	ACIS		RELEASED		SIZE CAGE CODE C 80230	DWG. NO. 36-30301.31
NEXT ASSEMBLY	USED ON	INTERPRET DIMENSIONS AND TOLERANCES IAW ANS Y14.5M-1982	WEIGHT		REV. A	
APPLICATION					SCALE 10:1	SHEET 1 OF 1