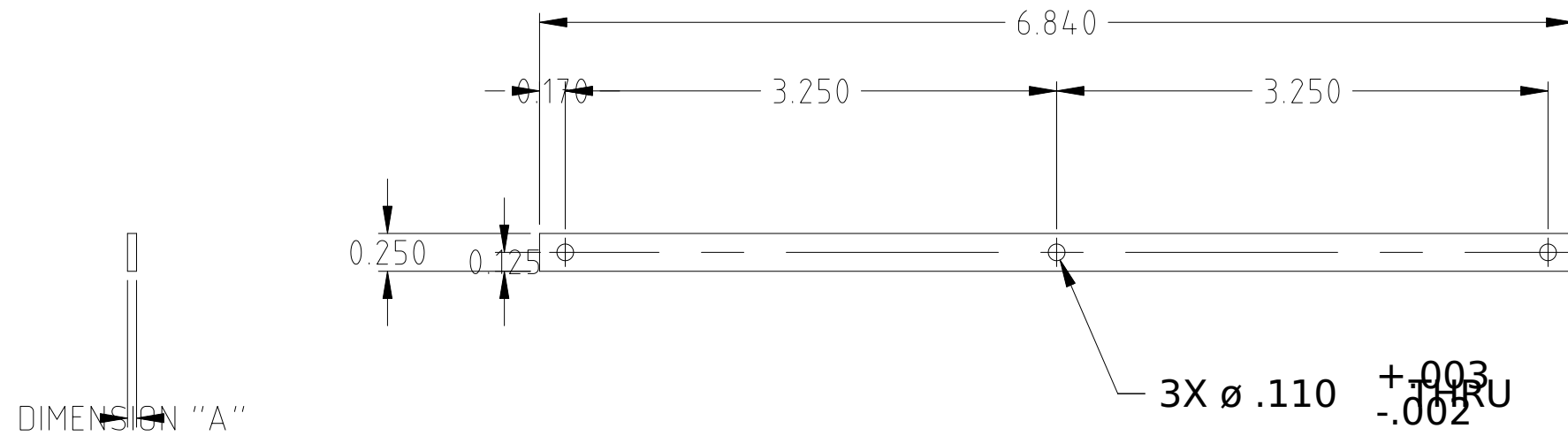


REVISIONS					
REV.	ECO NO.	DESCRIPTION	CHECKED	APPROVED	DATE
A	36-655	INITIAL RELEASE			

PART NUMBER	DIMENSION "A"
36-30301.2401	.007
36-30301.2402	.008
36-30301.2403	.010
36-30301.2404	.012
36-30301.2405	.015



NOTES:

1. MATERIAL: BRASS SHIM STOCK
2. REMOVE BURRS AND SHARP EDGES R .010 MAXIMUM.

		UNLESS OTHERWISE SPECIFIED DIMENSIONS ARE IN INCHES TOLERANCE: ANGLES $\pm 1^\circ$ 3 PLACE DECIMALS $\pm .005$ 2 PLACE DECIMALS $\pm .01$	NAME	DATE	MASSACHUSETTS INSTITUTE OF TECHNOLOGY CENTER FOR SPACE RESEARCH CAMBRIDGE, MA 02139			
			DRAWN F.Kasparian	30 May 96	SHIM, CONNECTOR, 240 PIN			
		MATERIAL	CHECKED					
36-30302		SEE NOTE 1	APPROVED					
36-30301	ACIS	INTERPRET DIMENSIONS AND TOLERANCES IAW ANSI Y14.5M-1982	RELEASED		SIZE	CAGE CODE	DWG. NO.	REV.
NEXT ASSEMBLY	USED ON		WEIGHT		B	80230	36-30301.24	A
APPLICATION					SCALE	NONE	SHEET	1 OF 1