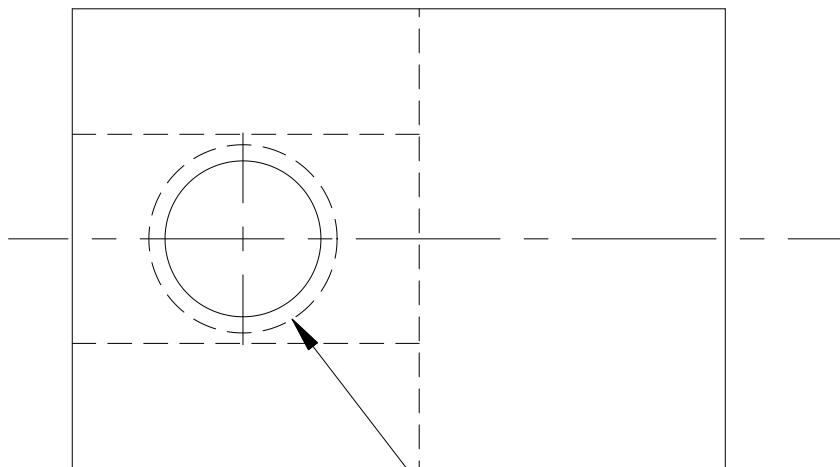


REVISIONS

REV.	ECO NO.	DESCRIPTION	CHECKED	APPROVED	DATE
A	36-621	INITIAL RELEASE			



RETAP THREADED HOLE FOR
#3-56 UNF-2B.

NOTES:

1. MAKE FROM 36-90202.01

NAME		DATE	MASSACHUSETTS INSTITUTE OF TECHNOLOGY CENTER FOR SPACE RESEARCH CAMBRIDGE, MA 02139		
DRAWN <i>F. Kasparian</i>		3/25/96			
CHECKED			CONNECTOR CLAMP, MODIFIED		
APPROVED					
RELEASED					
WEIGHT		SIZE	FSCM NO.	DWG. NO.	REV.
		A	80230	36-30301.12	A
		SCALE 10/1		SHEET 1 OF 1	