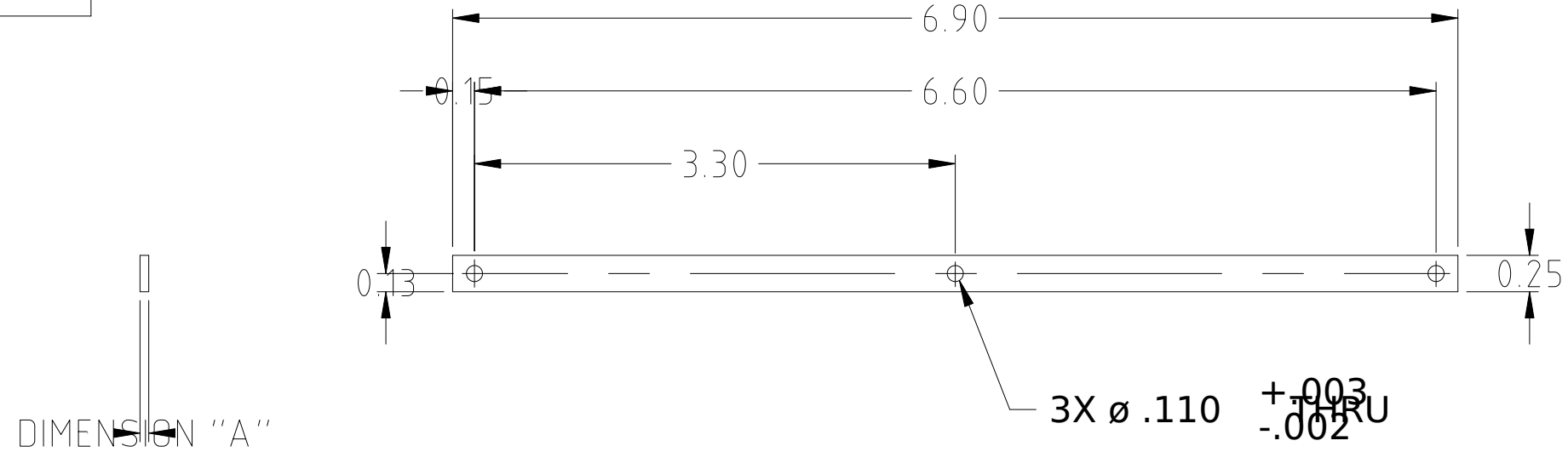


| REVISIONS | | | | | |
|-----------|---------|-----------------|---------|----------|---------|
| REV. | ECO NO. | DESCRIPTION | CHECKED | APPROVED | DATE |
| A | 36-579 | INITIAL RELEASE | FJK | RFG | 4/19/96 |
| B | 36-906 | ADD VARIATION | | | |

| PART NUMBER | DIMENSION "A" |
|-------------|---------------|
| 36-30299.01 | .008 |
| 36-30299.02 | .010 |
| 36-30299.03 | .012 |
| 36-30299.04 | .015 |
| 36-30299.05 | .005 |



NOTES:

1. MATERIAL: BRASS, 1/2 HARD PER QQ-B-613.
2. REMOVE BURRS AND SHARP EDGES R .010 MAXIMUM.

| | | | | | | | | |
|---------------|---------|--|-------------------------|---------------------|---|--------------|-----------------|----------|
| | | UNLESS OTHERWISE SPECIFIED DIMENSIONS ARE IN INCHES TOLERANCE: ANGLES $\pm 1^\circ$ 3 PLACE DECIMALS $\pm .005$ 2 PLACE DECIMALS $\pm .01$ | NAME | DATE | MASSACHUSETTS INSTITUTE OF TECHNOLOGY CENTER FOR SPACE RESEARCH CAMBRIDGE, MA 02139 | | | |
| | | | DRAWN M.LYONS | 09APR96 | SHIM, CONNECTOR, 120 PIN | | | |
| | | CHECKED F. Kasparian | 4/19/96 | | | | | |
| | | APPROVED R. Goeke | 4/19/96 | | | | | |
| | | MATERIAL SEE NOTE 1 | RELEASED D. Gage | 4/19/96 | SIZE | CAGE CODE | DWG. NO. | REV. |
| 36-30201 | ACIS | INTERPRET DIMENSIONS AND TOLERANCES IAW ANSI Y14.5M-1982 | WEIGHT | | B | 80230 | 36-30299 | B |
| NEXT ASSEMBLY | USED ON | | SCALE NONE | SHEET 1 OF 1 | | | | |
| APPLICATION | | | | | | | | |