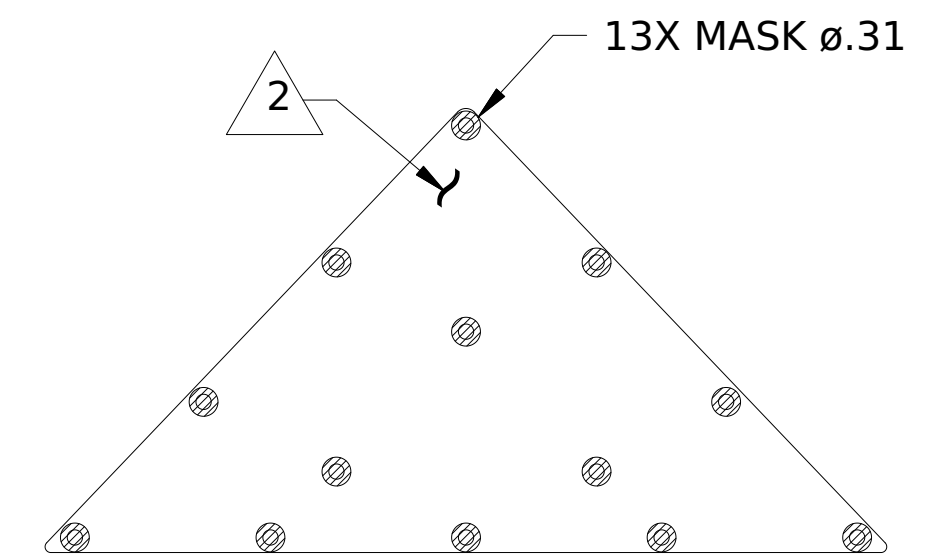
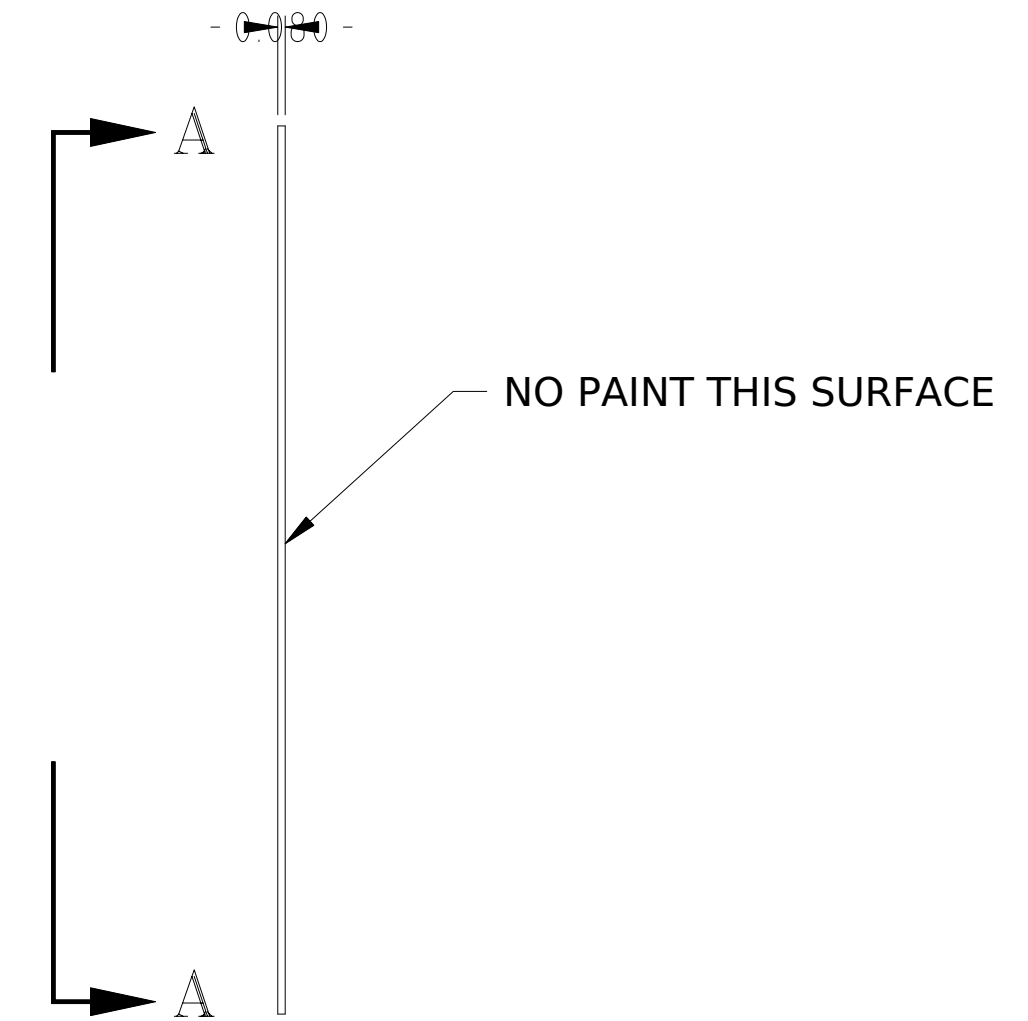
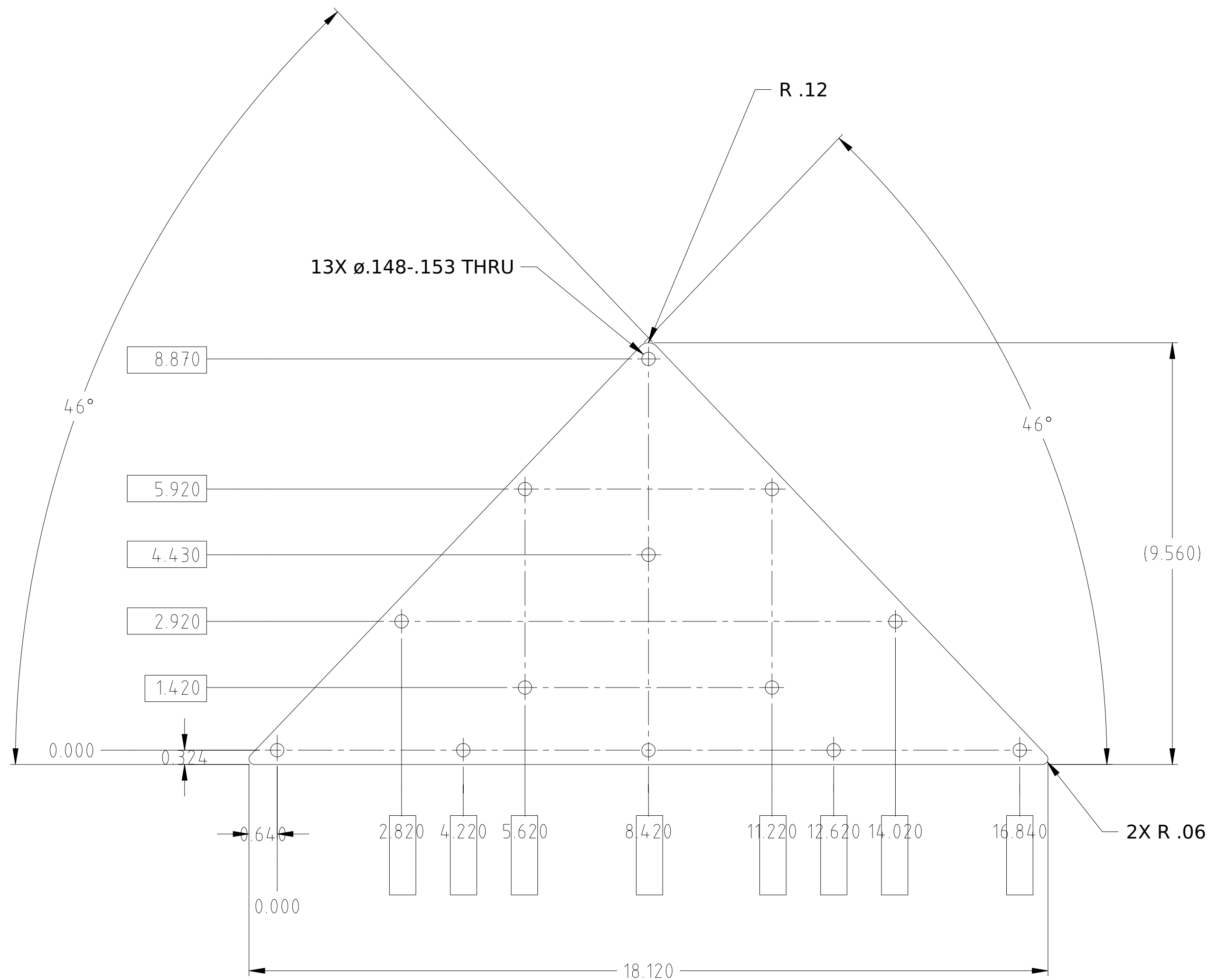



REVISIONS					
REV.	ECO NO.	DESCRIPTION	CHECKED	APPROVED	DATE
A	36-752	INITIAL RELEASE			



VIEW A-A
SCALE: 1/2
PAINT AND MASKING
INFORMATION

NOTES:

- REMOVE BURRS AND SHARP EDGES R .010 MAXIMUM.
-  FINISH: MASK INDICATED SURFACE. PRIME AND PAINT, EDGES OPTIONAL, USING AEROGLAZE 9924 (PRIMER) AND AEROGLAZE Z306 BLACK (PAINT) IAW MIT SPECIFICATION 36-02028.
- HANDLE WITH POWDER FREE CONTAMINATION FREE GLOVES AFTER FINISH.

		UNLESS OTHERWISE SPECIFIED DIMENSIONS ARE IN INCHES TOLERANCE: ANGLES ± 1° 3 PLACE DECIMALS ± .005 2 PLACE DECIMALS ± .01	NAME	DATE	MASSACHUSETTS INSTITUTE OF TECHNOLOGY CENTER FOR SPACE RESEARCH CAMBRIDGE, MA 02139			
			DRAWN	M.LYONS				19JUN96
		MATERIAL TANTALUM	CHECKED		SHIELD, INNER, -X, DEA			
			APPROVED					
36-30200	ACIS	INTERPRET DIMENSIONS AND TOLERANCES IAW ANSI Y14.5M-1982	RELEASED		SIZE	CAGE CODE	DWG. NO.	REV.
NEXT ASSEMBLY	USED ON		WEIGHT			C	80230	36-30263
APPLICATION					SCALE	1:1	SHEET	1 OF 1