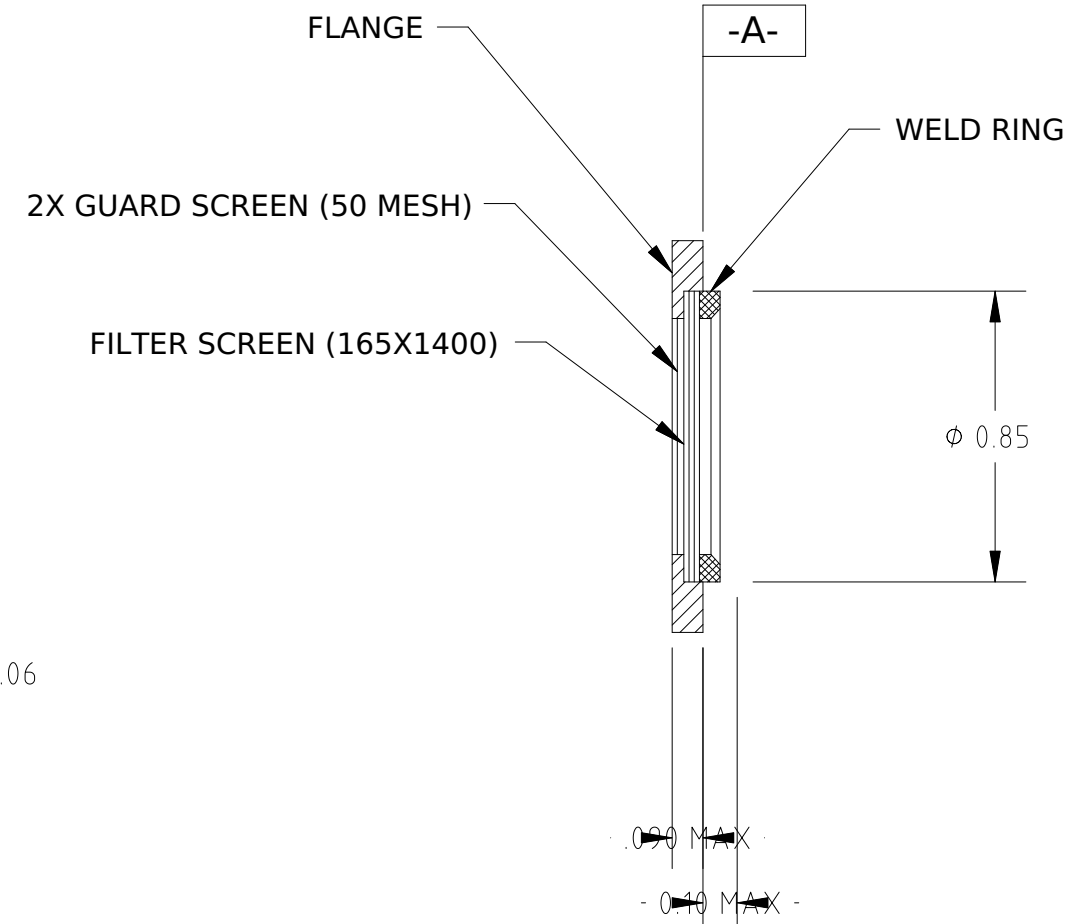
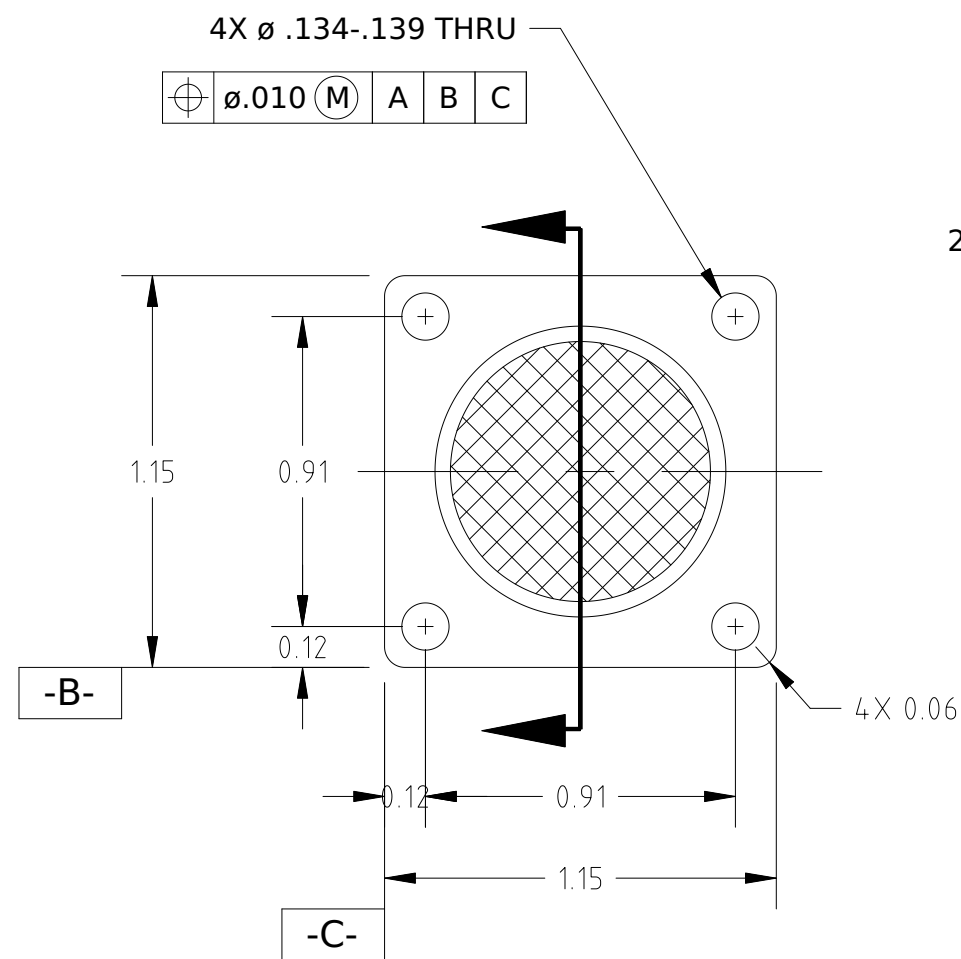



REVISIONS					
REV.	ECO NO.	DESCRIPTION	CHECKED	APPROVED	DATE
01	36-769	RELEASE TO VENDOR			



NOTES:

- VENDOR: HYDRODYNE
BURBANK, CA
VENDOR PART NO. 35-6754

		UNLESS OTHERWISE SPECIFIED DIMENSIONS ARE IN INCHES TOLERANCE: ANGLES $\pm 1^\circ$ 3 PLACE DECIMALS $\pm .005$ 2 PLACE DECIMALS $\pm .01$	NAME	DATE	 MASSACHUSETTS INSTITUTE OF TECHNOLOGY CENTER FOR SPACE RESEARCH CAMBRIDGE, MA 02139			
			DRAWN F. KASPARIAN	9/12/96				
		MATERIAL 304 CRES	CHECKED		FILTER PANEL OUTLINE			
			APPROVED					
		NEXT ASSEMBLY	RELEASED		SIZE	CAGE CODE	DWG. NO.	REV.
			USED ON	WEIGHT		B	80230	36-30213.01
APPLICATION		INTERPRET DIMENSIONS AND TOLERANCES IAW ANSI Y14.5M-1982			SCALE	SHEET		
					2/1	1 OF 1		