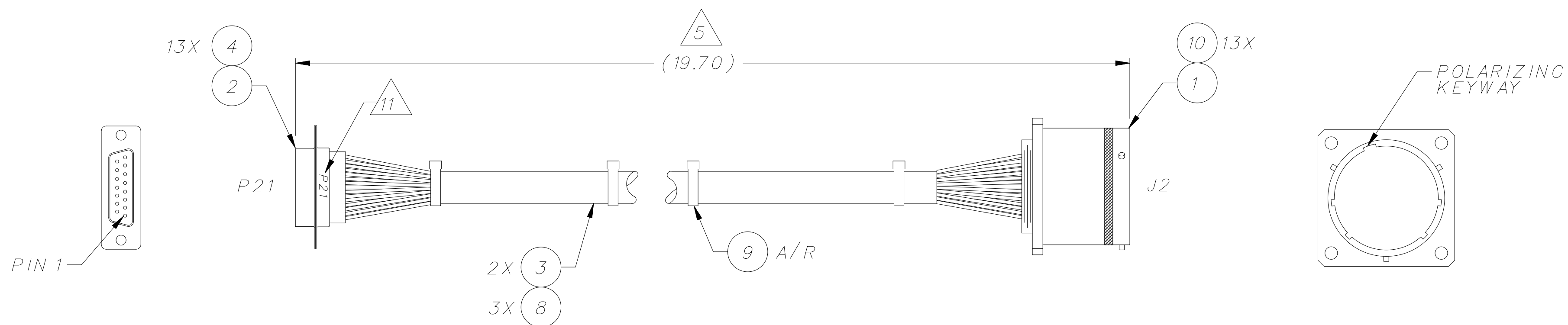


REVISIONS					
REV.	ECO NO.	DESCRIPTION	CHECKED	APPROVED	DATE
A	36-755	INITIAL RELEASE	FJK	RFG	9/17/96
B	36-900	AS BUILD CONFIGURATION			



NOTES:

- REFER TO MIT DRAWING 36-03021.02 FOR SCHEMATIC CONNECTION AND WIRE ASSIGNMENTS.
- HANDLE ITEM WITH POWDER FREE, CONTAMINATION FREE GLOVES.
- CLEAN ITEM IAW MIT SPECIFICATION 36-02027.
- FABRICATE IAW NASA SPEC NHB5300.4(3G)
- LENGTH TO BE VERIFIED DURING INSTALLATION AT NEXT HIGHER ASSEMBLY.
-
-
- DO NOT INSTALL CONTACTS IN UNUSED POSITIONS.
- PERFORM CONTACT RETENTION TEST ON ALL CONTACTS PER MSFC-STD-781. RECORD RESULTS IN A.W.O.
- ELECTRICAL TESTS (CONTINUITY, DISCONTINUITY, IR, DWV) ARE TO BE PERFORMED IAW NHB5300.4(3G) RECORD RESULTS IN A.W.O.

NOTES (CONTINUED):

- LABEL AS SHOWN USING F/N 14.
- BAG AND TAG WITH MIT DRAWING NUMBER AND LATEST REVISION.
-
- CLEAN AND VACUUM BAKE F/N 1, 2 AND 9 IAW MIT SPECIFICATION 36-02027 PRIOR TO ASSEMBLY.
- VACUUM BAKE ASSEMBLY AT 100°C FOR 120 HOURS MINIMUM.
- RECORD EPOXIES USED, MIX RATIOS AND EXPIRATION DATES ON "MATERIALS PROCESSING MIXING RECORD" SECTION OF AWO.

		UNLESS OTHERWISE SPECIFIED DIMENSIONS ARE IN INCHES TOLERANCE: ANGLES ? 1° 3 PLACE DECIMALS ? .005 2 PLACE DECIMALS ? .01	NAME	DATE	MASSACHUSETTS INSTITUTE OF TECHNOLOGY CENTER FOR SPACE RESEARCH CAMBRIDGE, MA 02139	
			DRAWN M. LYONS	14AUG96	CABLE ASSEMBLY, DEA INTERNAL	
			CHECKED F. Kasparian	9/17/96	POWER 2, W11	
		MATERIAL	APPROVER. Goeke	9/17/96	SIZE	CAGE CODE
36-30200	ACIS	SEE DATABASE	RELEASED. Gage	9/17/96	80230	DWG. NO. 36-30205
NEXT ASSEMBLY	USED ON	INTERPRET DIMENSIONS AND TOLERANCES IAW ANSI Y14.5M-1982	WEIGHT		REV. B	
APPLICATION					SCALE NONE	SHEET 1 OF 1