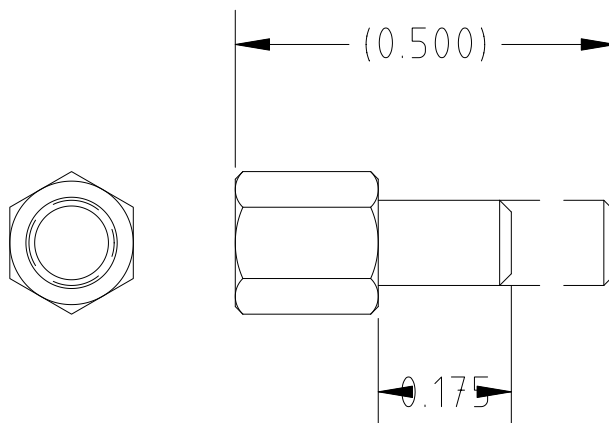


REVISIONS

REV.	ECONO.	DESCRIPTION	CHECKED	APPROVED	DATE
A	36-781	INITIAL RELEASE	ML	WFM	9/27/96



NOTES:
1. MAKE FROM P/O 36-90201.06

NAME	DATE	MASSACHUSETTS INSTITUTE OF TECHNOLOGY CENTER FOR SPACE RESEARCH CAMBRIDGE, MA 02139			
DRAWN <i>F. Kasparian</i>	9/26/96	<i>JACKPOST, MODIFIED</i>			
CHECKED M. Lyons	9/27/96				
APPROVED W. Mayer	9/27/96				
RELEASED D. Gage	9/27/96				
WEIGHT	SIZE	FSCM NO.	DWG. NO.	REV.	
	A	80230	36-30203.15	A	
	SCALE	4/1		SHEET 1 OF 1	