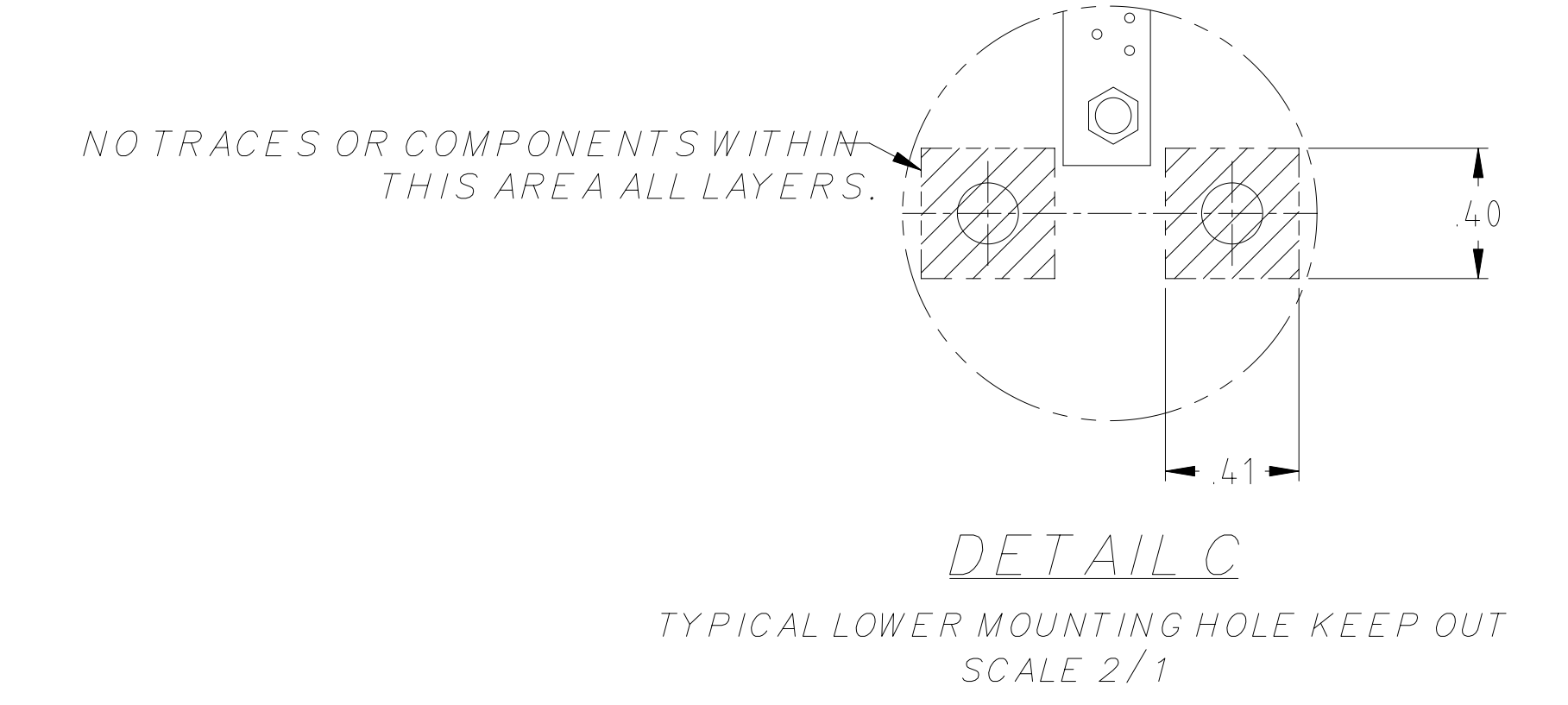
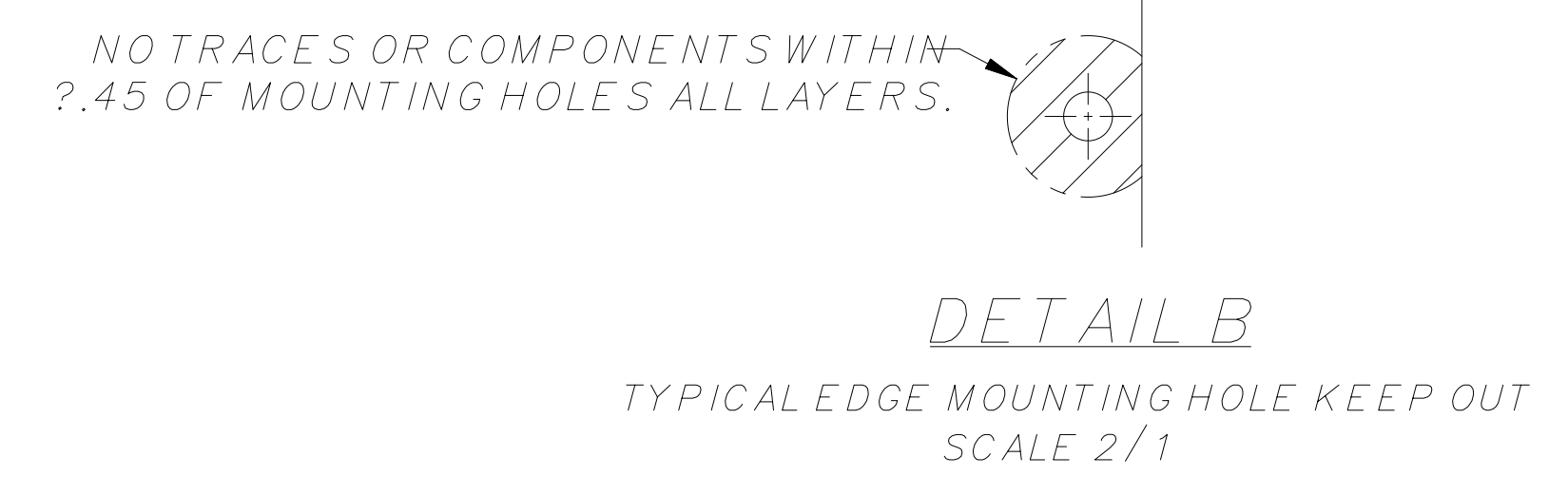
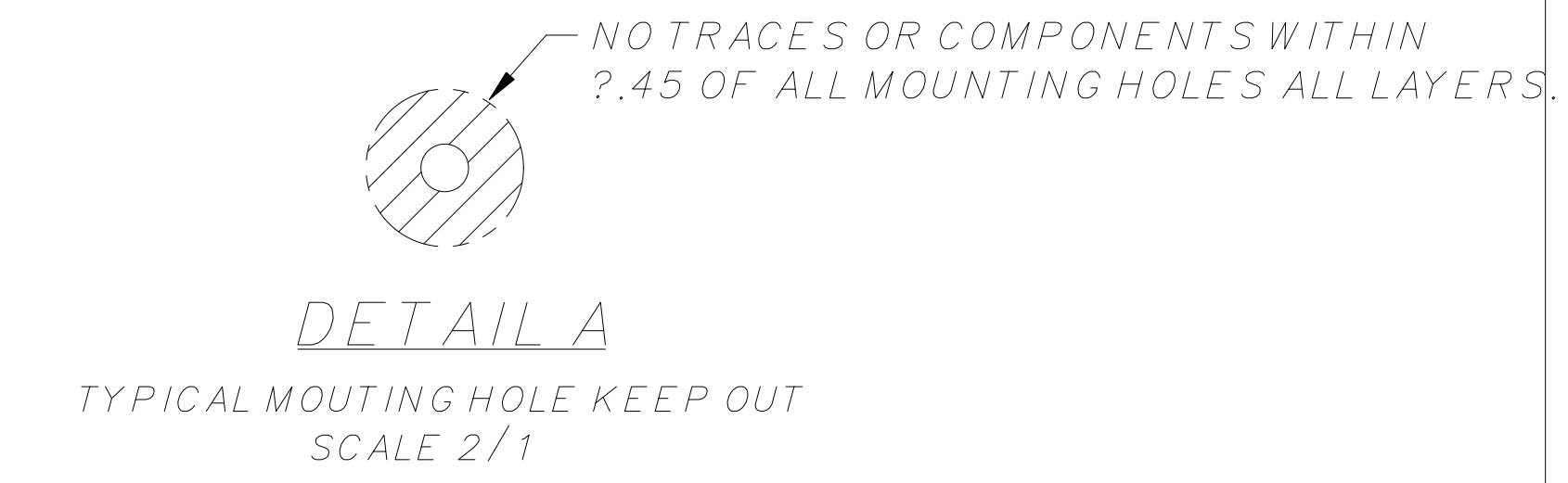
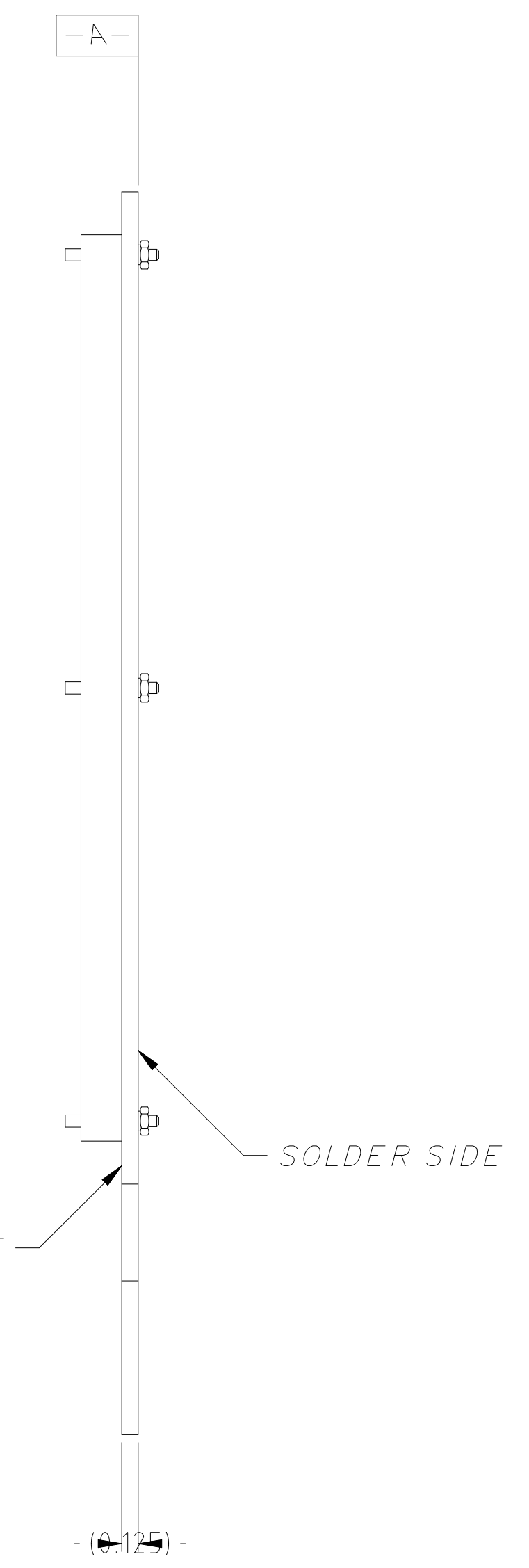
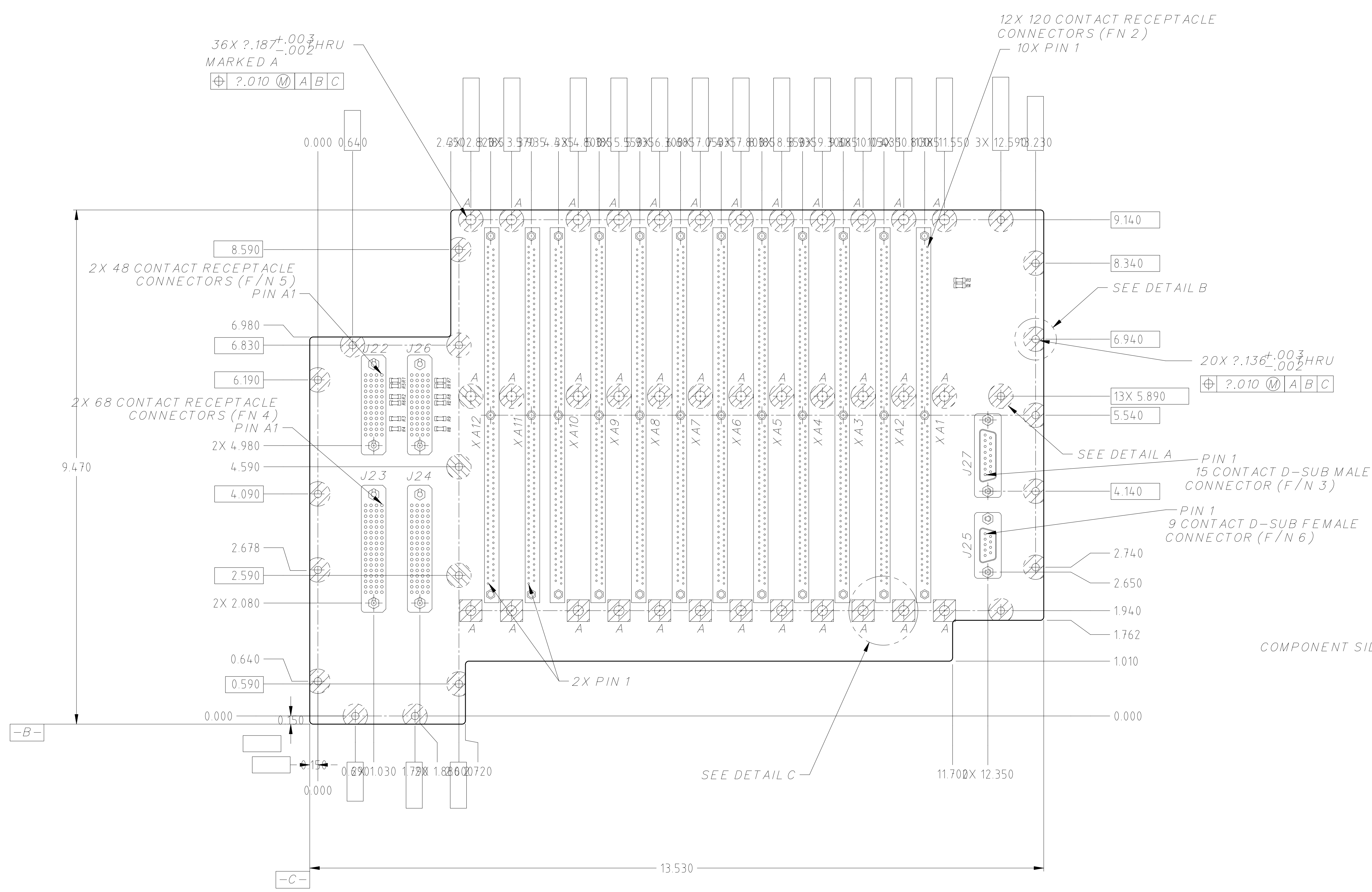
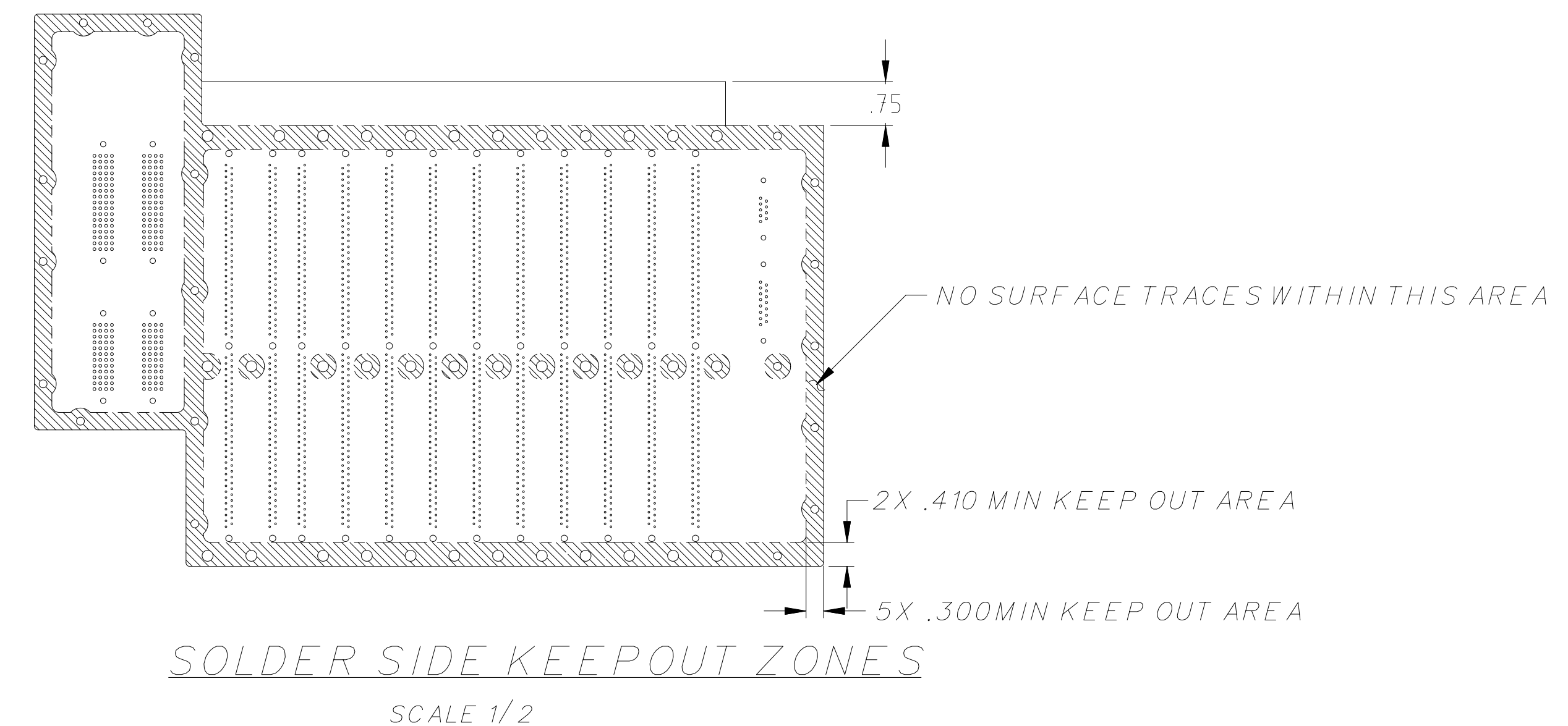
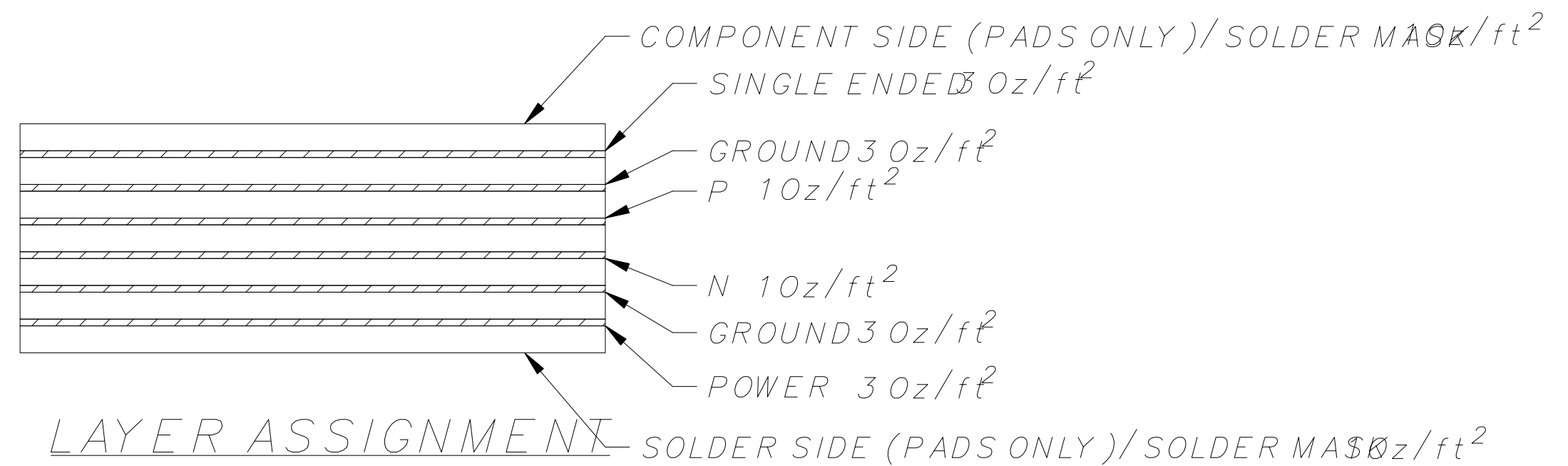


REVISIONS					
REV	ECO NO.	DESCRIPTION	CHECKED	APPROVED	DATE
A	36-516	INITIAL RELEASE			



- NOTES**
- ITEM SHALL BE DESIGNED AND FABRICATED IAW 36-02105.
 - MATL: COPPER CLAD LAMINATED SHEET IAW MIL-P-13949/4 (TYPE GF).
 - P AND CORRESPONDING N SIGNALS MUST BE CO-REGISTERED.
 - MARKING INFORMATION:
- PWB NAME -- DE A BACKPLANE
- PWB P/N -- 36-30203.01 REV A
 - ALL CORNER RADII .062.
 - LAYOUT UNIQUE COMPONENTS IAW 36-02106.



POWER RAIL	CONDUCTOR WIDTH
+5 VDC	.120
-5 VDC	.060
+15 VDC	.060
-15 VDC	.060
+24 VDC	.060

INTERPRET DIMENSIONS AND TOLERANCES IAW ANS1 Y45M-1982	NAME M. LYONS	DATE 06/10/93	CSR MASSACHUSETTS INSTITUTE OF TECHNOLOGY CENTER FOR SPACE RESEARCH CAMBRIDGE, MA 02139
UNLESS OTHERWISE SPECIFIED DIMENSIONS ARE IN INCHES TOLERANCE: ANGLES: 1/16 3 PLACE DECIMALS 1/16 2 PLACE DECIMALS 1/16	CHECKED	APPROVED	
MATERIAL SEE DATABASE	USED ON	RELEASED	OUTLINE, FLIGHT UNIT DE A BACKPLANE
36-30200 ACIS	APPLICATION	WEIGHT	
SIZE/CAGE CODE E 8023036	INTERPRET DIMENSIONS AND TOLERANCES IAW ANS1 Y45M-1982	SCALE 1:1	DRG. NO. 36-30203.010
REV. A		SHEET 1 OF 1	