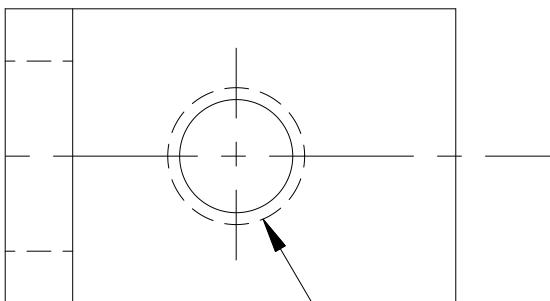


REVISIONS

REV.	ECONO.	DESCRIPTION	CHECKED	APPROVED	DATE
A	36-554	INITIAL RELEASE			



RETAP THREADED HOLE FOR
#1-72 UNF-2B.

NOTES:

1. MAKE FROM 36-90202.03

NAME	DATE	MASSACHUSETTS INSTITUTE OF TECHNOLOGY CENTER FOR SPACE RESEARCH CAMBRIDGE, MA 02139			
DRAWN <i>F. Kasparian</i>	3/25/96	CLAMP, MODIFIED			
CHECKED					
APPROVED					
RELEASED		SIZE	FSCM NO.	DWG. NO.	REV.
WEIGHT		A	80230	36-30201.15	A
		SCALE 10/1			SHEET 1 OF 1