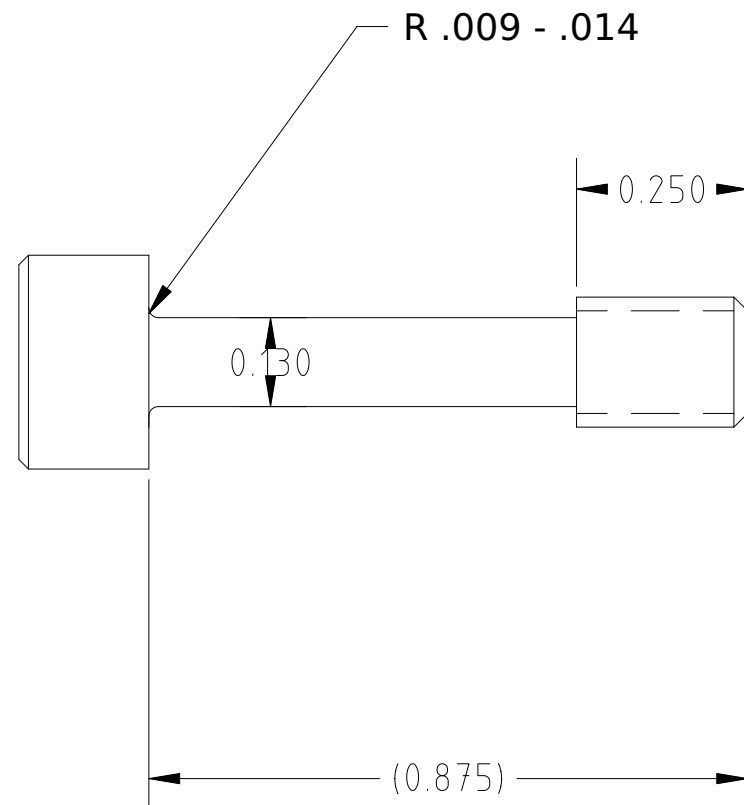


REVISIONS					
REV.	ECO NO.	DESCRIPTION	CHECKED	APPROVED	DATE
A	36-876	INITIAL RELEASE			



NOTES:

1. MAKE FROM F/N 1.
2. CLEAN ITEM IAW 36-02027.
3. BAG AND TAG WITH DRAWING NO. AND LATEST REVISION.

		UNLESS OTHERWISE SPECIFIED DIMENSIONS ARE IN INCHES TOLERANCE: ANGLES $\pm 1^\circ$ 3 PLACE DECIMALS $\pm .005$ 2 PLACE DECIMALS $\pm .01$	NAME	DATE	CSR MASSACHUSETTS INSTITUTE OF TECHNOLOGY CENTER FOR SPACE RESEARCH CAMBRIDGE, MA 02139			
			DRAWN F. Kasparian	3/17/97				
			MATERIAL	CHECKED		CAPTIVE SCREW		
			APPROVED					
			RELEASED		SIZE	CAGE CODE	DWG. NO.	REV.
NEXT ASSEMBLY	USED ON	INTERPRET DIMENSIONS AND TOLERANCES IAW ANSI Y14.5M-1982	WEIGHT		B	80230	36-30132	A
APPLICATION						SCALE 4/1		SHEET 1 OF 1