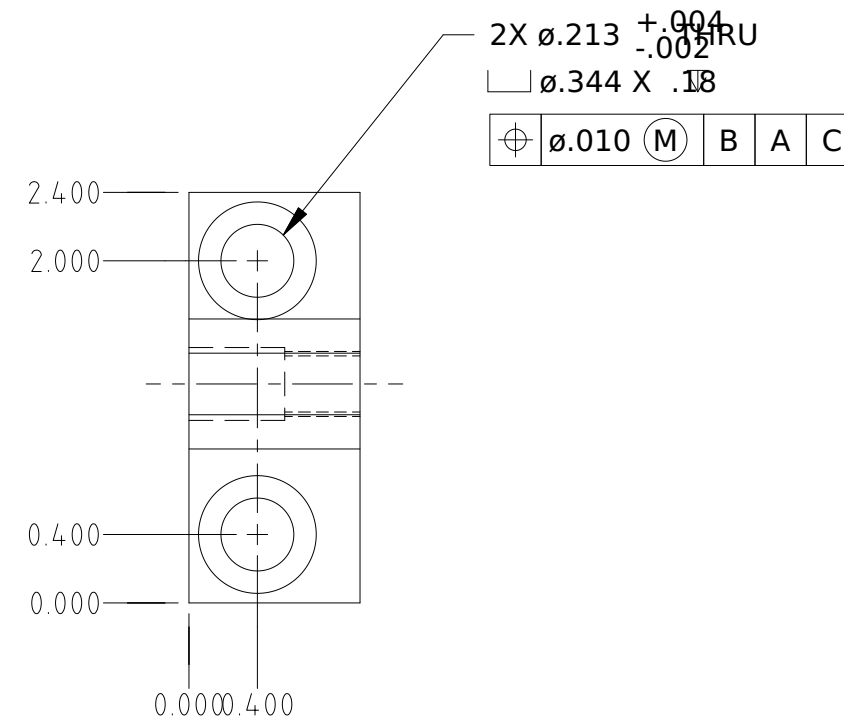
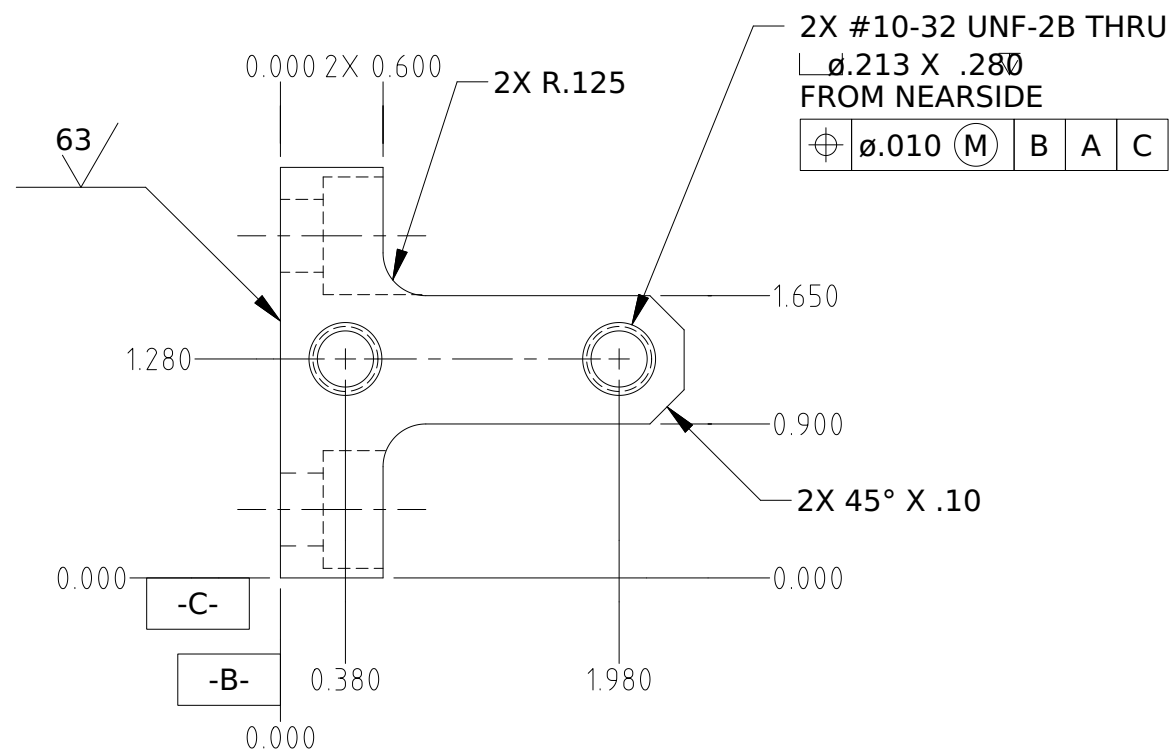
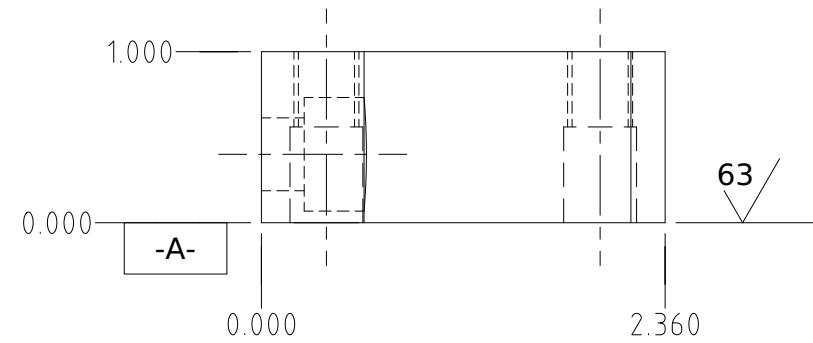


REVISIONS					
REV.	ECO NO.	DISCRIPTION	CHECKED	APPROVED	DATE
A	36-453	INITIAL RELEASE			



NOTES:

1. DEBURR AND BREAK SHARP EDGES, .01 MAX.
2. MACHINED SURFACES 125 MAX EXCEPT AS NOTED.
3. CONVERSION COAT PER MIL-C-5541, CLASS 3.

		UNLESS OTHERWISE SPECIFIED DIMENSIONS ARE IN INCHES TOLERANCE: ANGLES ± 1° 3 PLACE DECIMALS ± .005 2 PLACE DECIMALS ± .01	NAME	DATE	MASSACHUSETTS INSTITUTE OF TECHNOLOGY CENTER FOR SPACE RESEARCH CAMBRIDGE, MA 02139			
			DRAWN	J. COOK	12/27/95	SUPPORT BRACKET LOWER +Y		
		MATERIAL	CHECKED		SIZE			
36-30100	ACIS	6061-T6 ALUMINUM	APPROVED		B	80230	36-30113	A
NEXT ASSEMBLY	USED ON		WEIGHT			SCALE	2/1	SHEET
APPLICATION								