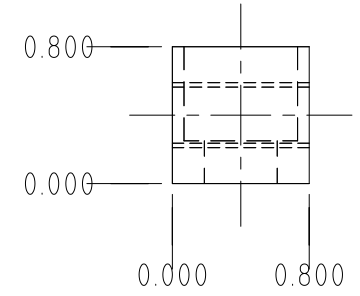
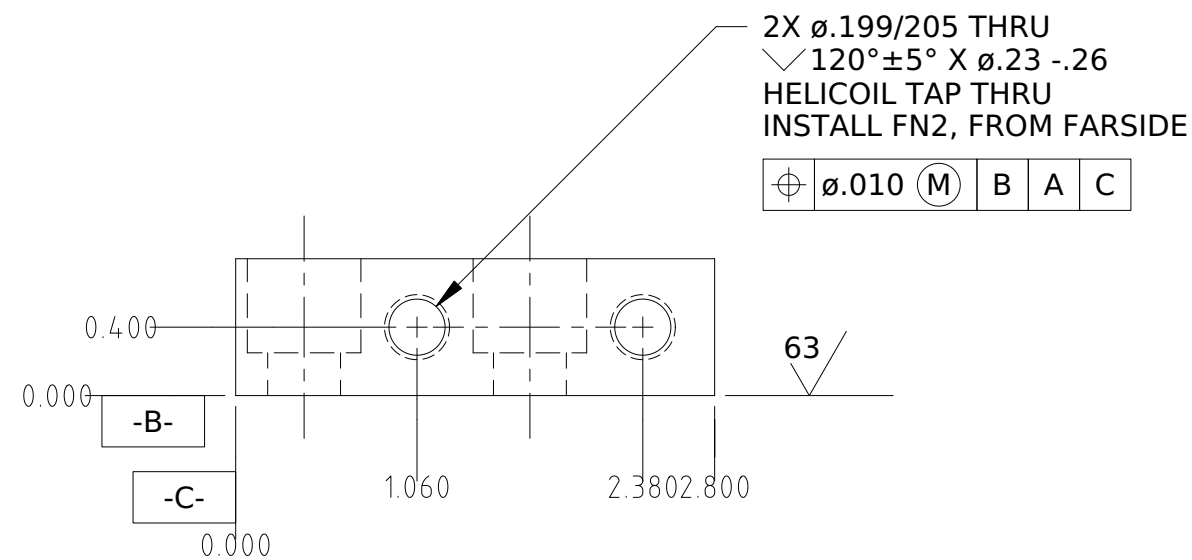
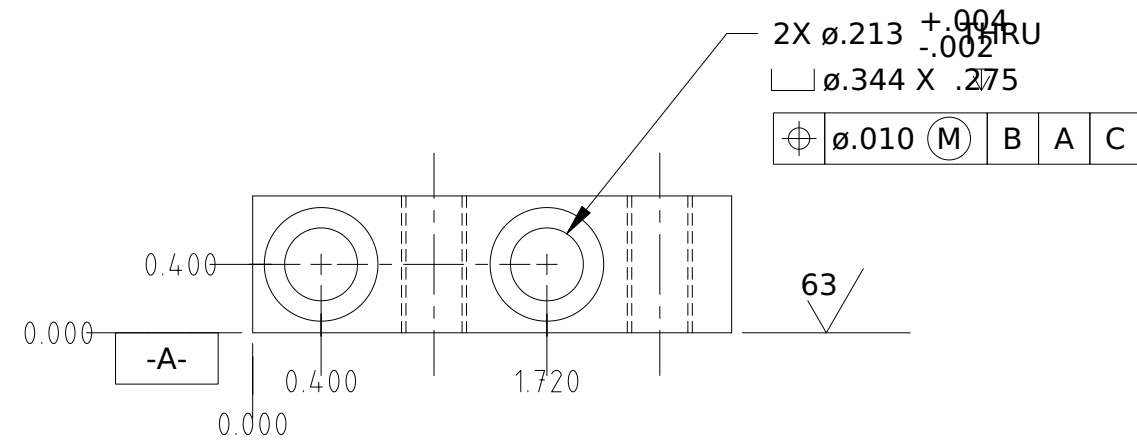


REVISIONS					
REV.	ECO NO.	DISCRIPTION	CHECKED	APPROVED	DATE
A	36-453	INITIAL RELEASE			



**NOTES:**

1. DEBURR AND BREAK SHARP EDGES, .01 MAX.
2. MACHINED SURFACES 125 MAX EXCEPT AS NOTED.
3. CONVERSION COAT PER MIL-C-5541, CLASS 3.

		UNLESS OTHERWISE SPECIFIED DIMENSIONS ARE IN INCHES TOLERANCE: ANGLES ± 1° 3 PLACE DECIMALS ± .005 2 PLACE DECIMALS ± .01	NAME	DATE	MASSACHUSETTS INSTITUTE OF TECHNOLOGY CENTER FOR SPACE RESEARCH CAMBRIDGE, MA 02139			
			DRAWN	J. COOK	12/27/95	<b>SUPPORT BRACKET UPPER -Y SIDE</b>		
		CHECKED			SIZE			
		MATERIAL	APPROVED		<b>B</b>	<b>80230</b>	<b>36-30112</b>	<b>A</b>
<b>36-30100</b>	<b>ACIS</b>	<b>6061-T6 ALUMINUM</b>	RELEASED		SCALE <b>2/1</b>		SHEET <b>1 OF 1</b>	
NEXT ASSEMBLY	USED ON		WEIGHT					
APPLICATION								