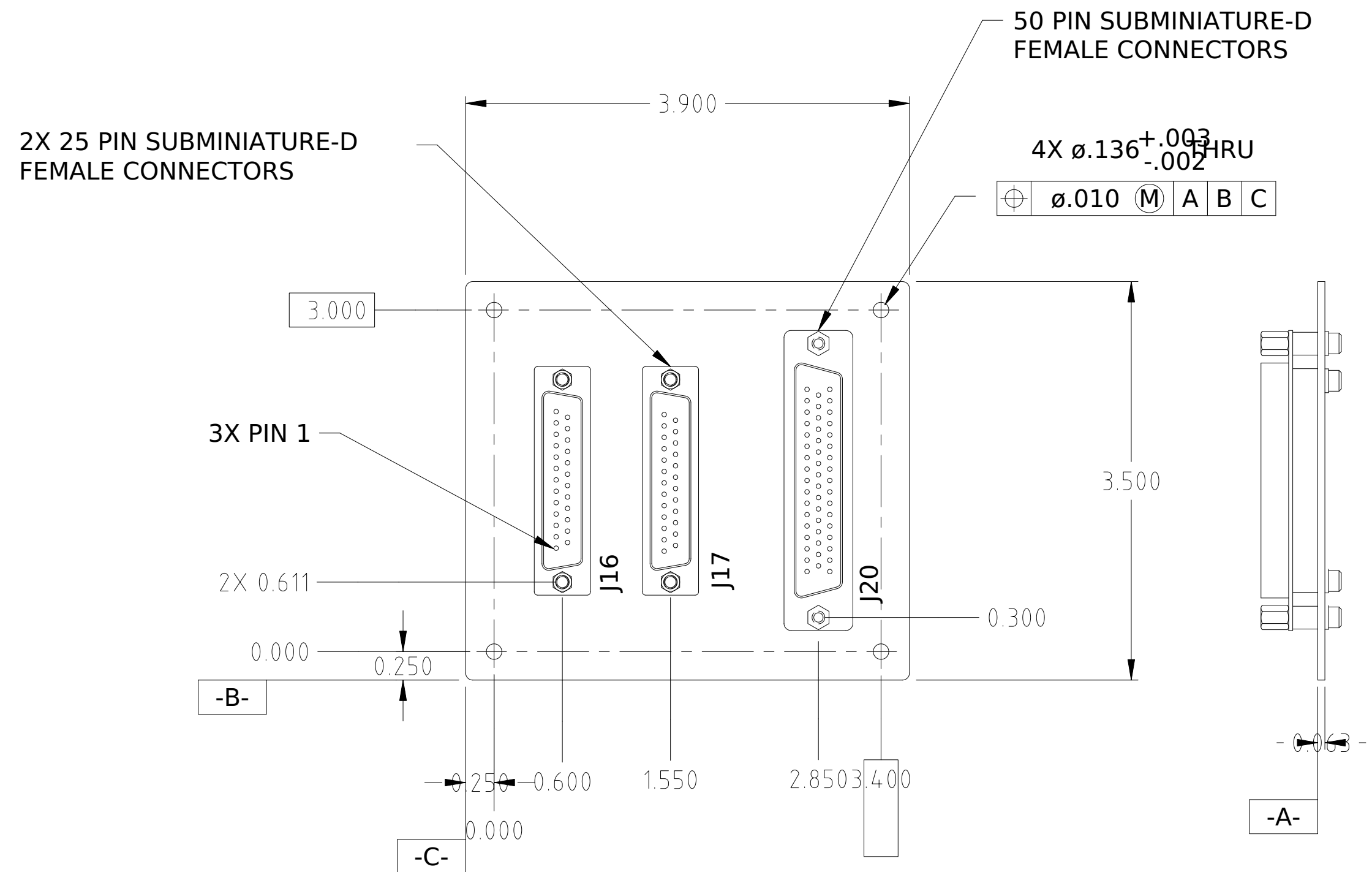


REVISIONS					
REV.	ECO NO.	DESCRIPTION	CHECKED	APPROVED	DATE
A	36-438	INITIAL ENG RELEASE			



NOTES:

- ITEM SHALL BE DESIGNED AND FABRICATED IAW 36-02105.
- ALL CORNER RADII .062.
- MARKING INFORMATION:
 - PWB NAME -- DPA POWER DISTRIBUTION
 - PWB P/N -- 36-20317.01 REV A
- DO NOT PLATE MOUNTING HOLES.

		UNLESS OTHERWISE SPECIFIED DIMENSIONS ARE IN INCHES TOLERANCE: ANGLES ± 1° 3 PLACE DECIMALS ± .005 2 PLACE DECIMALS ± .01	NAME	DATE	MASSACHUSETTS INSTITUTE OF TECHNOLOGY CENTER FOR SPACE RESEARCH CAMBRIDGE, MA 02139			
			DRAWN	M.LYONS				21APR95
		MATERIAL SEE DATABASE	CHECKED		OUTLINE, DPA POWER DISTRIBUTION BOARD			
			APPROVED					
36-20317	ACIS	INTERPRET DIMENSIONS AND TOLERANCES IAW ANSI Y14.5M-1982	RELEASED		SIZE	CAGE CODE	DWG. NO.	REV.
NEXT ASSEMBLY	USED ON		WEIGHT			C	80230	36-20317.0101
APPLICATION					SCALE	1/1	SHEET	1 OF 1