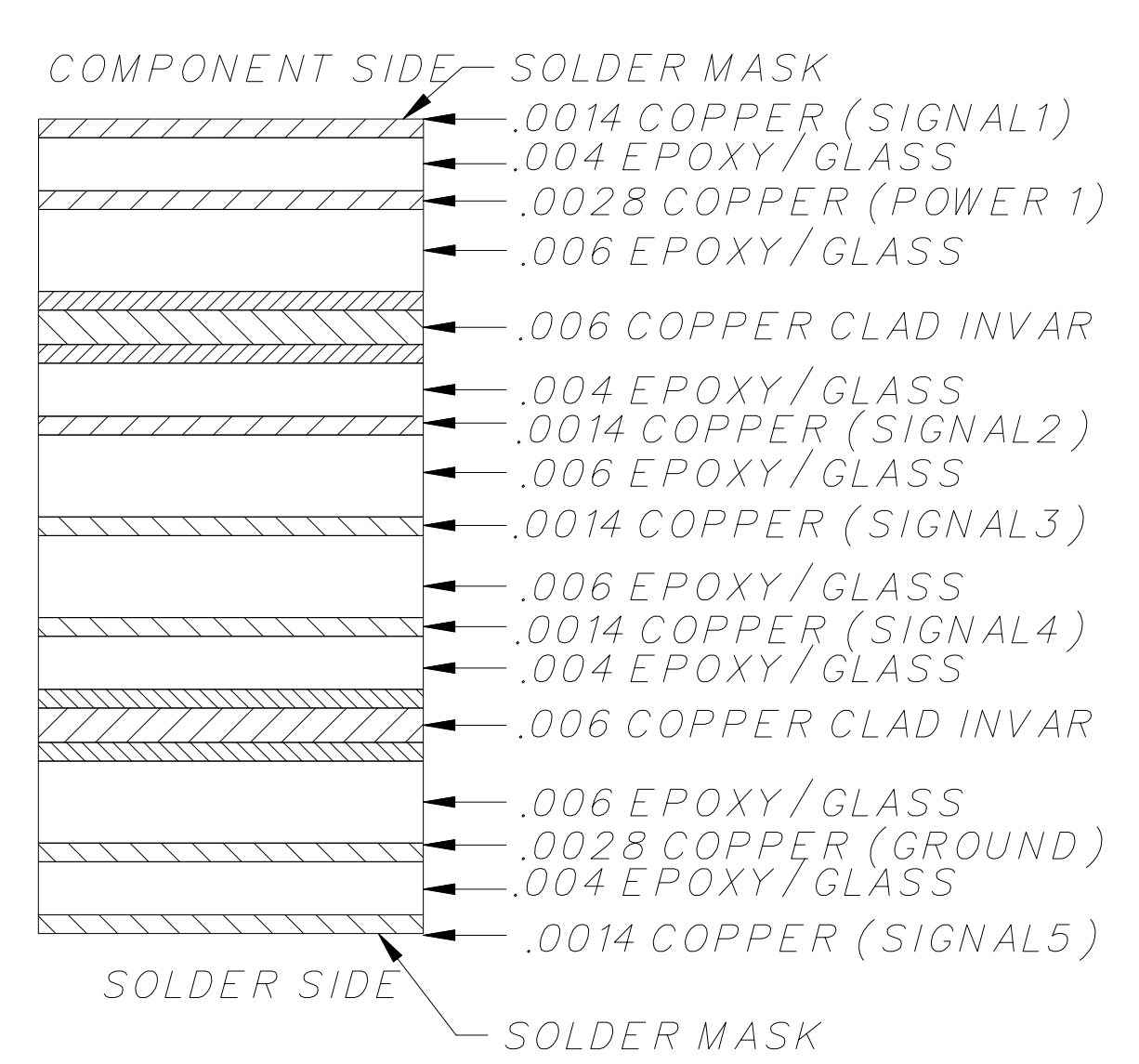
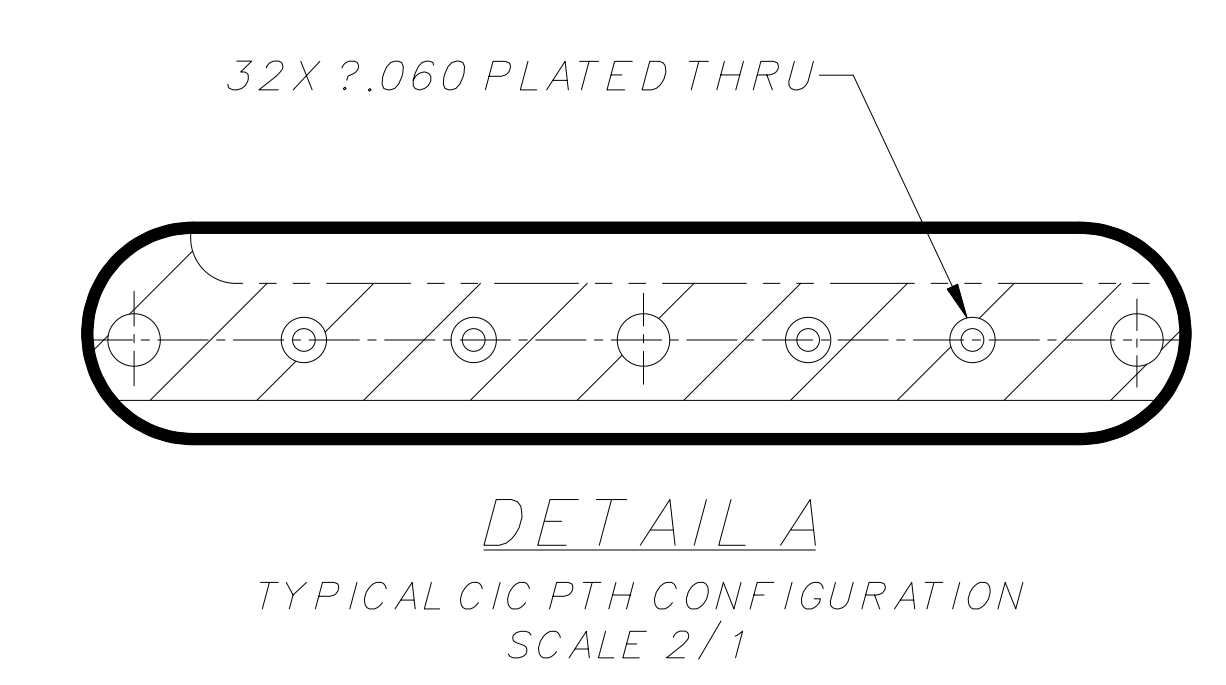
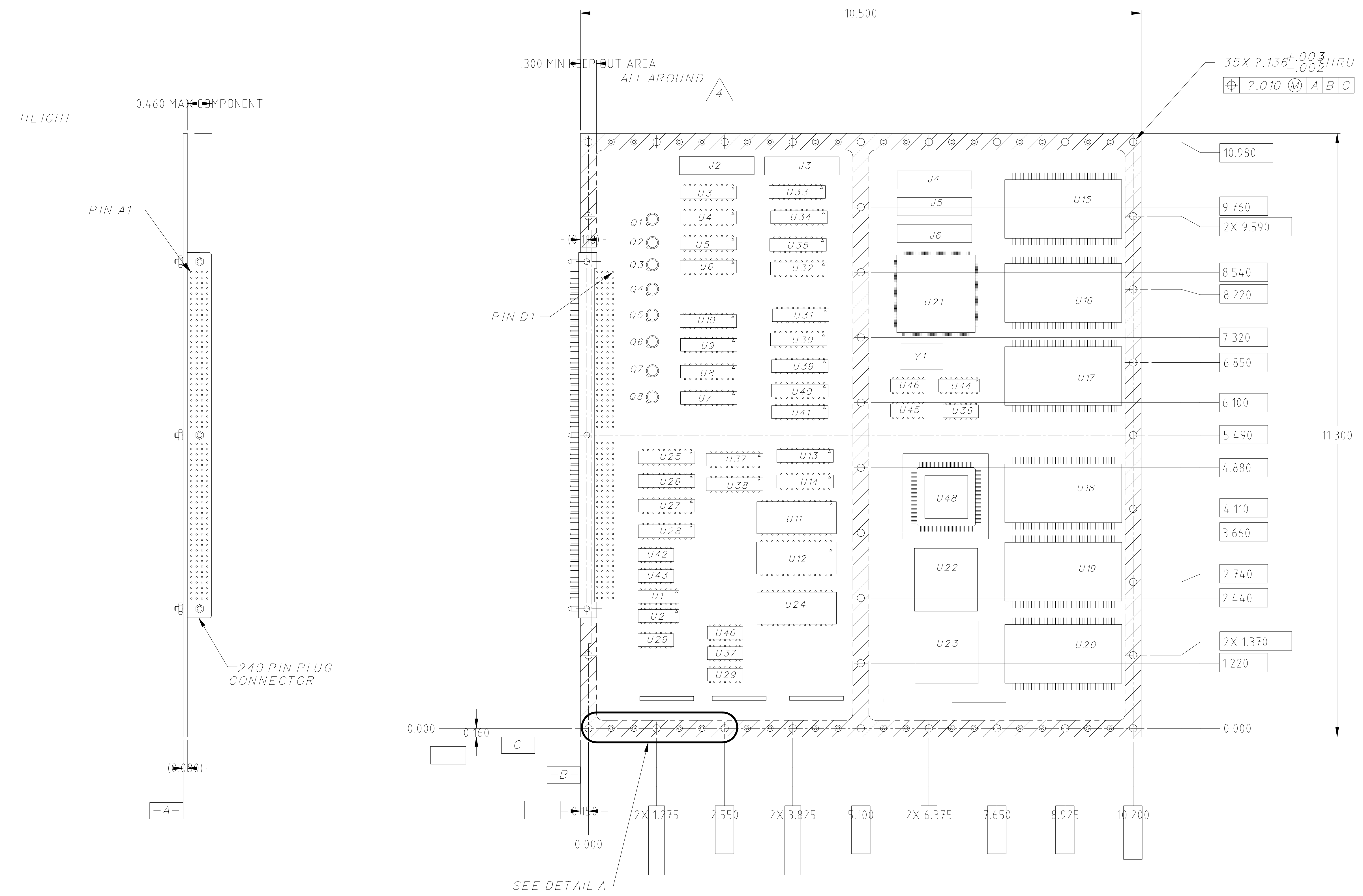


REVISIONS					
REV.	ECO NO.	DESCRIPTION	CHECKED	APPROVED	DATE
A	36-147	INITIAL RELEASE	DV	RFG	3/7/95
B	36-163	DWG NO. CHANGED FROM 36-20301.010101	FJK		
C	36-171	CHANGED MTG HOLE AND BOARD OUTLINE DIMS.	FJK	RFG	4/14/95
D	36-270	REVISED MTG HOLES			



- NOTES
- ITEM SHALL BE DESIGNED AND FABRICATED IAW 36-02105.
 - PLACE COMPONENTS APPROX. AS SHOWN.
 - ALL CORNER RADII .062.
 - MINIMUM KEEP OUT ZONES
- NO TRACES ON SOLDER SIDE.
- NO COMPONENTS ON COMPONENT SIDE.
 - CONNECT COPPER/INVAR COPPER LAYERS TO EACH OTHER AT EDGE OF BOARD.
 - MARKING INFORMATION:
- PWB NAME -- BACK END PROCESSOR
- PWB P/N -- 36-20301.01 REV A
- ASSY P/N -- 36-20301

INTERPRET DIMENSIONS AND TOLERANCES IAW ANS1 Y14.5M-1982		NAME		DATE		MASSACHUSETTS INSTITUTE OF TECHNOLOGY CENTER FOR SPACE RESEARCH CAMBRIDGE, MA 02139	
UNLESS OTHERWISE SPECIFIED DIMENSIONS ARE IN INCHES TOLERANCE: ANGLES: 1/16 3 PLACE DECIMALS 7.00 2 PLACE DECIMALS 7.01 <td>DRAWN</td> <td>F. KASPARIAN</td> <td>APPROVED</td> <td>ANFER</td> <td>3/6/95</td> <td rowspan="2">CSR</td>		DRAWN	F. KASPARIAN	APPROVED	ANFER	3/6/95	CSR
MATERIAL		CHECKED	D. VOUTOUR	APPROVED	G. KE	3/7/95	
NEXT ASSEMBLY USED ON		RELEASED	G. GAGE	RELEASED	G. GAGE	3/7/95	OUTLINE, ENG UNIT BACK END PROCESSOR
APPLICATION		SCALE 1:1		SHEET 1 OF 1		SIZE/CAGE CODE E 8023036-20301.0101D	