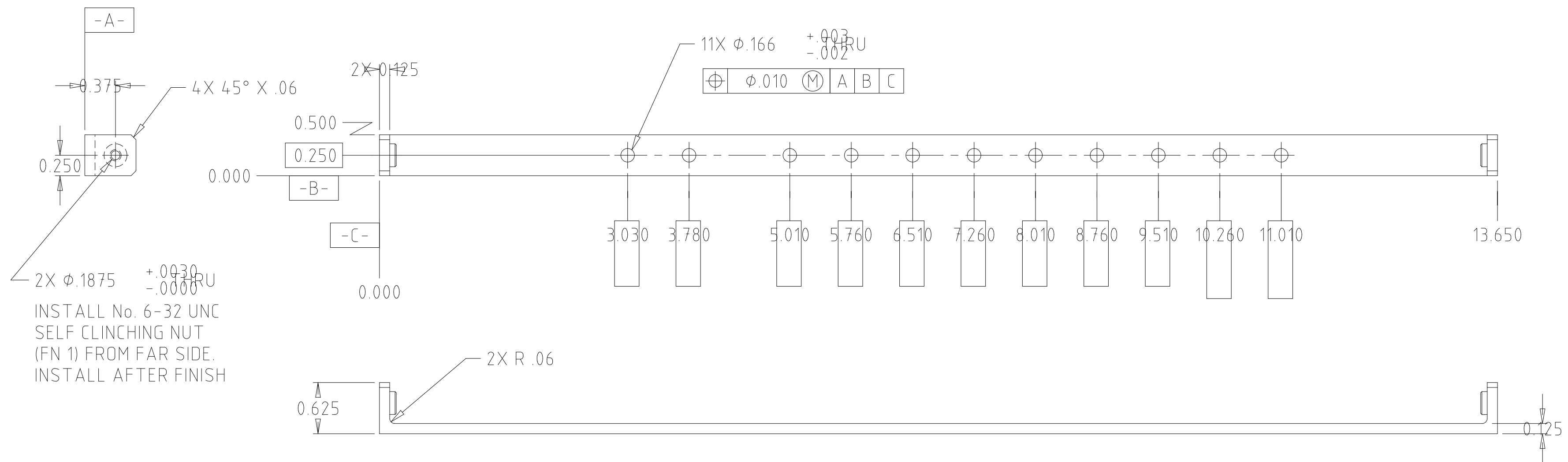


REVISIONS					
REV.	ECO NO.	DESCRIPTION	CHECKED	APPROVED	DATE
A	36-378	INITIAL RELEASE			



NOTES:

1. REMOVE BURRS AND SHARP EDGES
R .010 OR CHAMFER MAX.
2. FINISH: CHEMICAL CONVERSION COAT
PER MIL-C-5541, CLASS 3.

		UNLESS OTHERWISE SPECIFIED DIMENSIONS ARE IN INCHES TOLERANCE: ANGLES ± 1° 3 PLACE DECIMALS ± .005 2 PLACE DECIMALS ± .01	NAME	DATE	MASSACHUSETTS INSTITUTE OF TECHNOLOGY CENTER FOR SPACE RESEARCH CAMBRIDGE, MA 02139				
			DRAWN	M.LYONS	03OCT95	BRACKET, SUPPORT			
		MATERIAL	ALUMINUM 6061-T6	CHECKED					SIZE
36-20200	ACIS	INTERPRET DIMENSIONS AND TOLERANCES IAW ANSI Y14.5M-1982	APPROVED			C	80230	36-20217	A
NEXT ASSEMBLY	USED ON	APPLICATION	RELEASED			SCALE	1:1	SHEET	1 OF 1