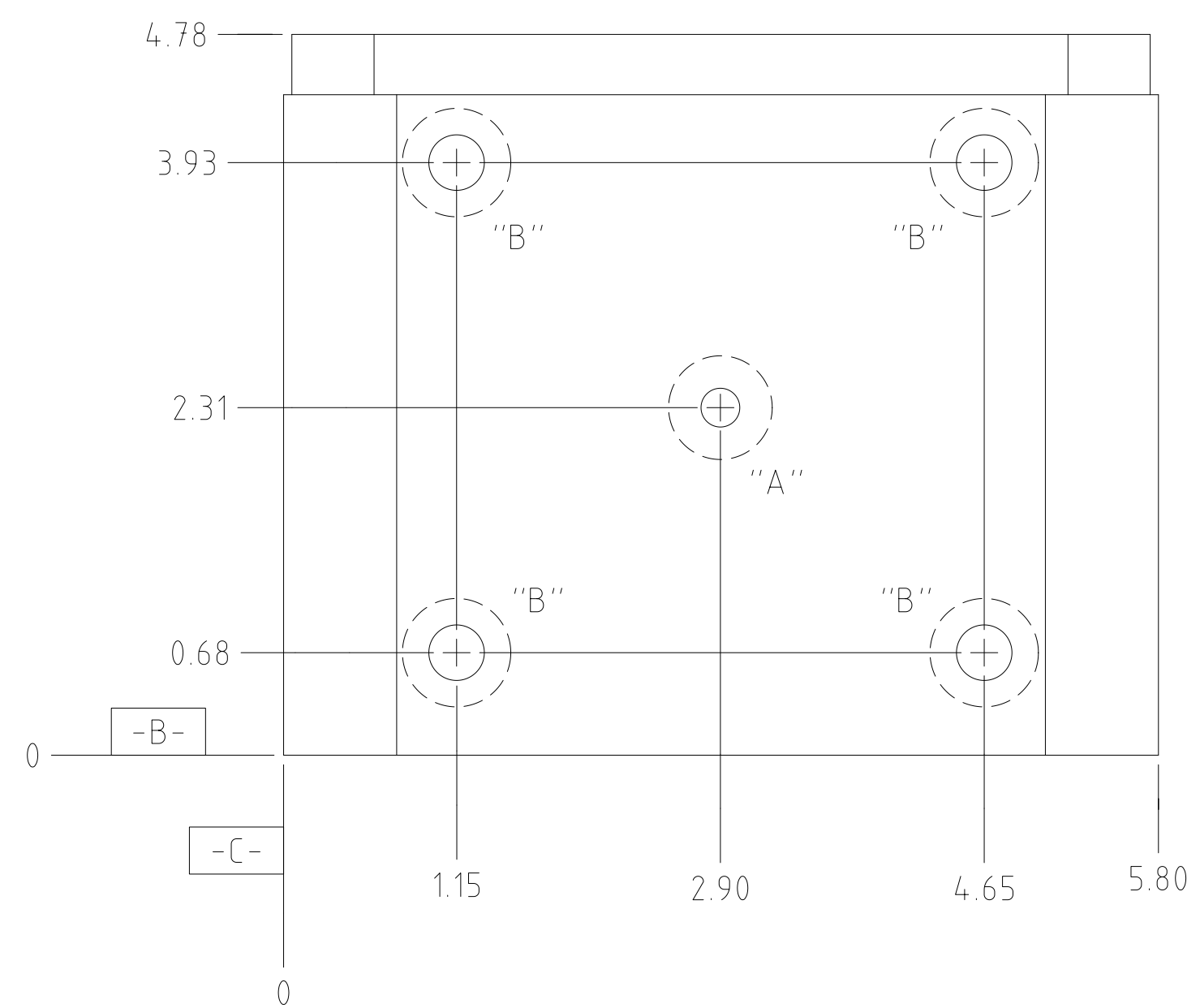
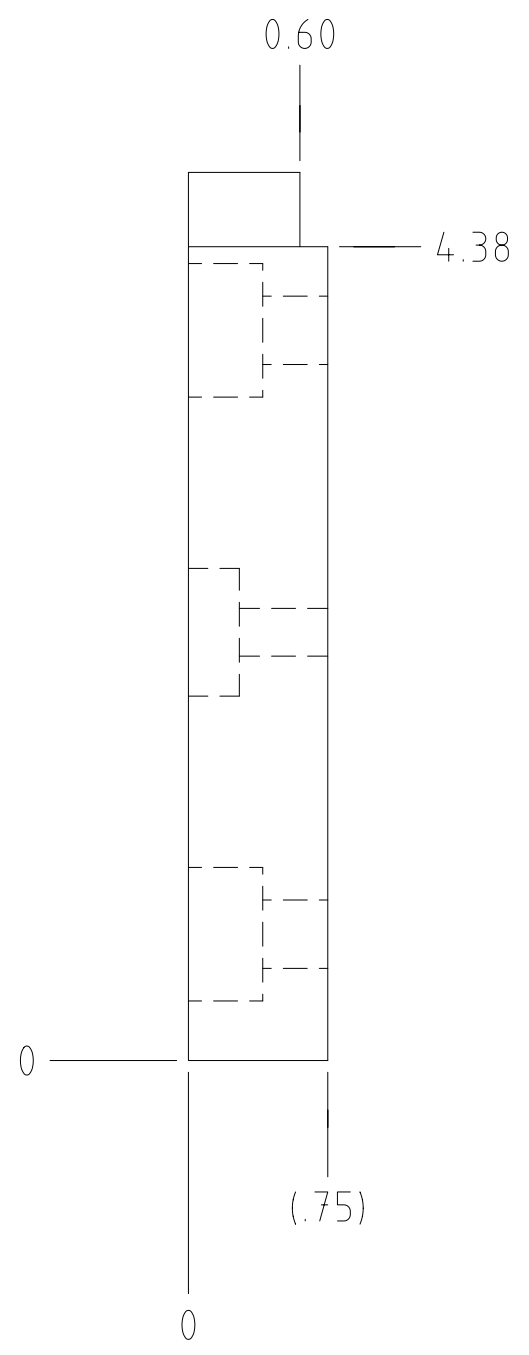
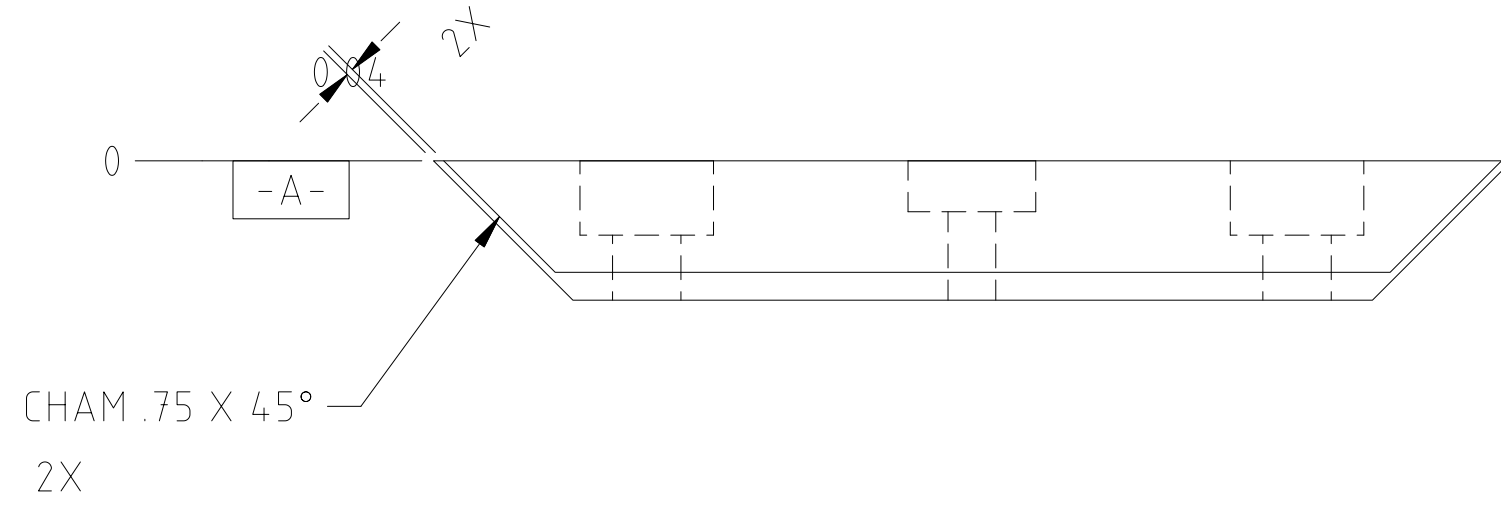


REVISIONS					
REV.	ECO NO.	DESCRIPTION	CHECKED	APPROVED	DATE
A	36-528	INITIAL RELEASE			



HOLE CHART		
HOLE	DESCRIPTION	QTY
A	ϕ .257 THRU, L ϕ 688 X .274 ∇ COUNTERBORE FROM FAR SIDE $\oplus \phi$.010 (M) A B C	1
B	ϕ .368 THRU, L ϕ 719 X .400 ∇ COUNTERBORE FROM FAR SIDE $\oplus \phi$.010 (M) A B C	4

NOTES:
1. MATERIAL: .75 THICK HIGH DENSITY POLYETHYLENE

		UNLESS OTHERWISE SPECIFIED DIMENSIONS ARE IN INCHES TOLERANCE: ANGLES \pm 1° 3 PLACE DECIMALS \pm .005 2 PLACE DECIMALS \pm .01	NAME	DATE	MASSACHUSETTS INSTITUTE OF TECHNOLOGY CENTER FOR SPACE RESEARCH CAMBRIDGE, MA 02139		
			DRAWN H.C.WEST	3/6/96	SHIELD-5		
		MATERIAL	CHECKED	SIZE CAGE CODE DWG. NO. REV. C 80230 36-10203.05 A			
36-10203	ACIS	SEE NOTE 1	APPROVED				SCALE 1/1 SHEET 1 OF 1
NEXT ASSEMBLY	USED ON	INTERPRET DIMENSIONS AND TOLERANCES IAW ANSI Y14.5M-1982	RELEASED				
APPLICATION			WEIGHT				