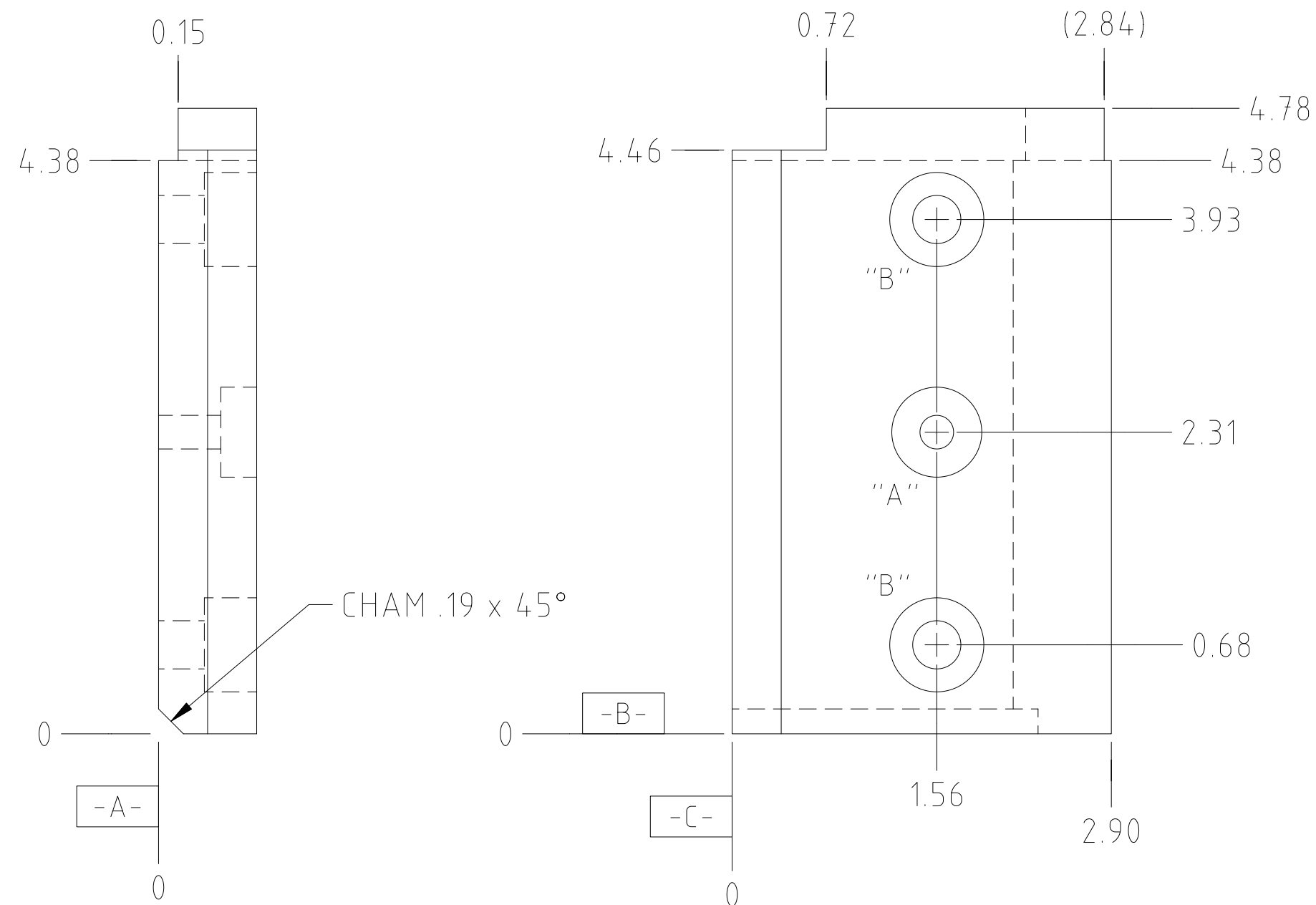
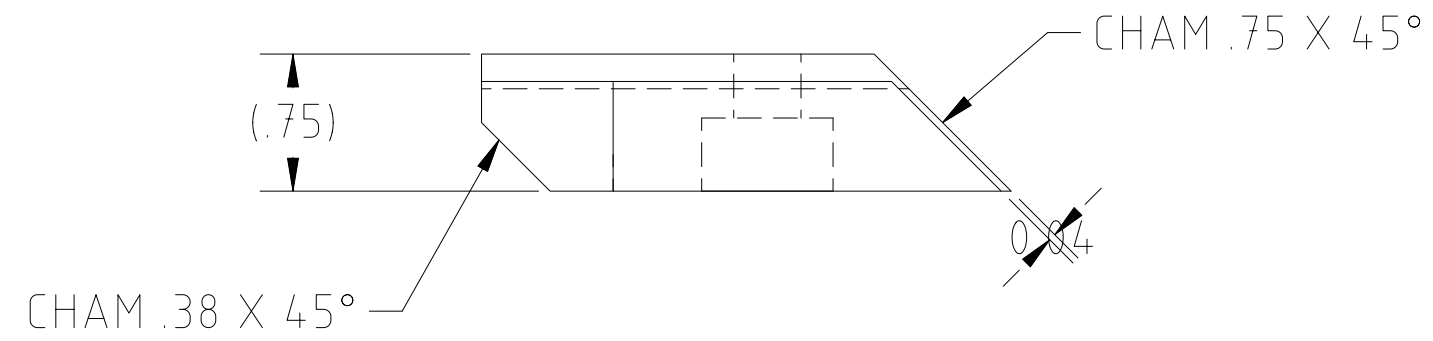


REVISIONS					
REV.	ECO NO.	DESCRIPTION	CHECKED	APPROVED	DATE
A	36-528	INITIAL RELEASE	P.C.T.	R.F.G.	04/11/96
B	36-693	REVISED PER ECO 36-693	P.C.T.	R.F.G.	07/23/96
C	36-754	REVISED PER ECO 36-754			



HOLE CHART		
HOLE	DESCRIPTION	QTY
A	ϕ .257 THRU, $L\phi$.688 X .274 ∇ COUNTERBORE FROM NEAR SIDE $\oplus \phi$.010 \textcircled{M} A B C	1
B	ϕ .368 THRU, $L\phi$.719 X .400 ∇ COUNTERBORE FROM NEAR SIDE $\oplus \phi$.010 \textcircled{M} A B C	2

NOTES:

1. MATERIAL: .75 THICK HIGH DENSITY POLYETHYLENE

		UNLESS OTHERWISE SPECIFIED DIMENSIONS ARE IN INCHES TOLERANCE: ANGLES \pm 1° 3 PLACE DECIMALS \pm .005 2 PLACE DECIMALS \pm .01	NAME	DATE	MASSACHUSETTS INSTITUTE OF TECHNOLOGY CENTER FOR SPACE RESEARCH CAMBRIDGE, MA 02139				
			DRAWN	H.C.WEST					3/6/96
			MATERIAL	CHECKED	P.C.TAPPAN	04/11/96	SHIELD-4		
				APPROVED	R.F.GOEKE	04/11/96			
36-10203	ACIS	SEE NOTE 1	RELEASED	J.REPAC	04/12/96	SIZE	CAGE CODE	DWG. NO.	REV.
NEXT ASSEMBLY	USED ON	INTERPRET DIMENSIONS AND TOLERANCES IAW ANSI Y14.5M-1982	WEIGHT			C	80230	36-10203.04	C
APPLICATION						SCALE	1/1	SHEET	1 OF 1