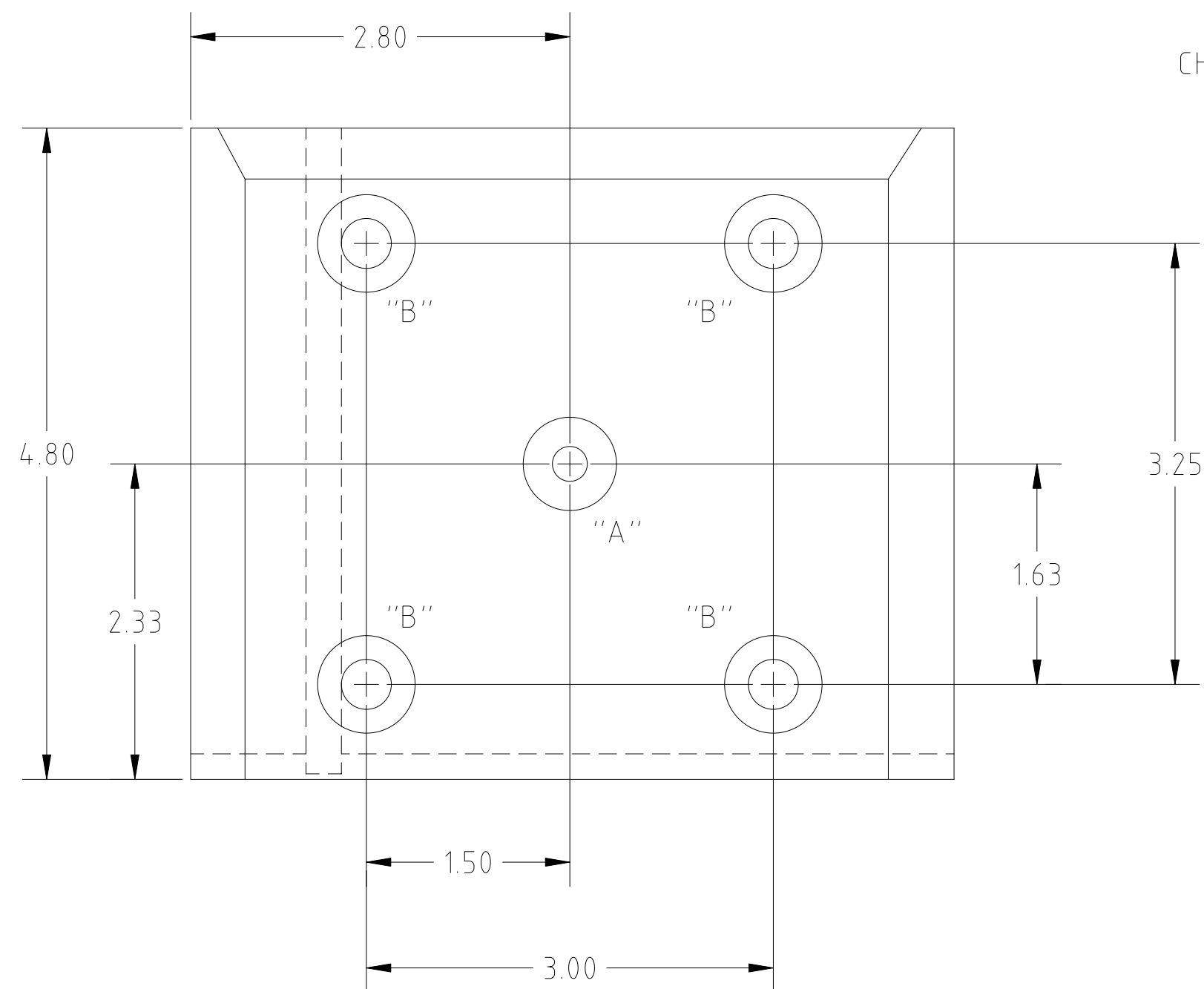
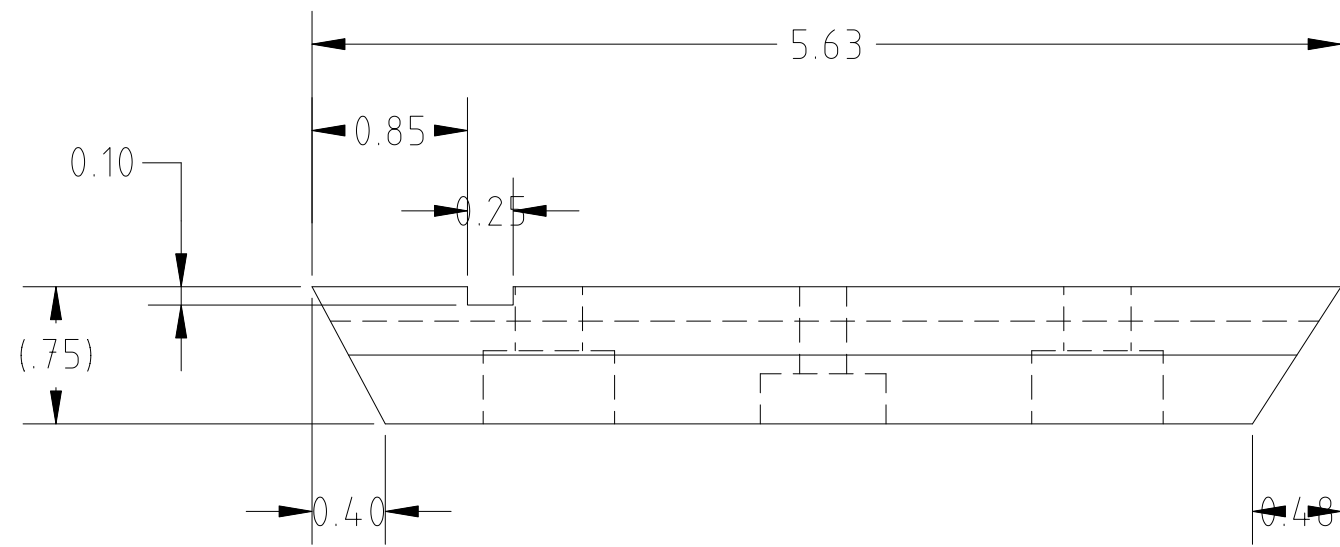


REVISIONS					
REV.	ECO NO.	DESCRIPTION	CHECKED	APPROVED	DATE
A	36-527	INITIAL RELEASE	P.C.T.	R.F.G.	04/11/96
B	36-754	REVISED PER ECO 36-754			



CHAM .38 X 45°

HOLE CHART		
HOLE	DESCRIPTION	QTY
A	Φ.257 THRU, LΦ.688 X .274▽ COUNTERBORE FROM NEAR SIDE	1
B	Φ.368 THRU, LΦ.719 X .400▽ COUNTERBORE FROM NEAR SIDE	4

NOTES:

1. MATERIAL: .75 THICK HIGH DENSITY POLYETHYLENE

CHAM .19 X 45°

		UNLESS OTHERWISE SPECIFIED DIMENSIONS ARE IN INCHES TOLERANCE: ANGLES ± 1° 3 PLACE DECIMALS ± .005 2 PLACE DECIMALS ± .01	NAME	DATE	MASSACHUSETTS INSTITUTE OF TECHNOLOGY CENTER FOR SPACE RESEARCH CAMBRIDGE, MA 02139				
			DRAWN	H.C.WEST	3/6/96	SHIELD-1			
		CHECKED	P.C.TAPPAN	04/11/96					
		APPROVED	R.F.GOEKE	04/11/96					
36-10203	ACIS	MATERIAL	RELEASED	J.REPAC	04/12/96	SIZE	CAGE CODE	DWG. NO.	REV.
NEXT ASSEMBLY	USED ON	SEE NOTE 1	WEIGHT			C	80230	36-10203.01	B
APPLICATION		INTERPRET DIMENSIONS AND TOLERANCES IAW ANSI Y14.5M-1982				SCALE	1/1	SHEET	1 OF 1