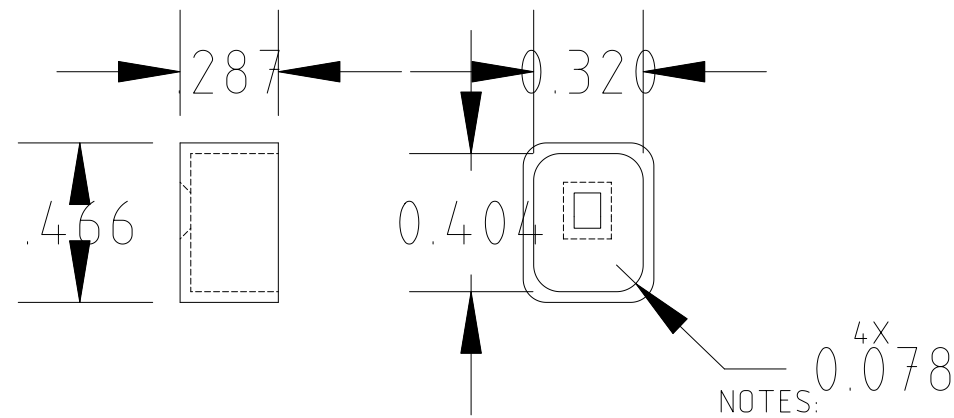
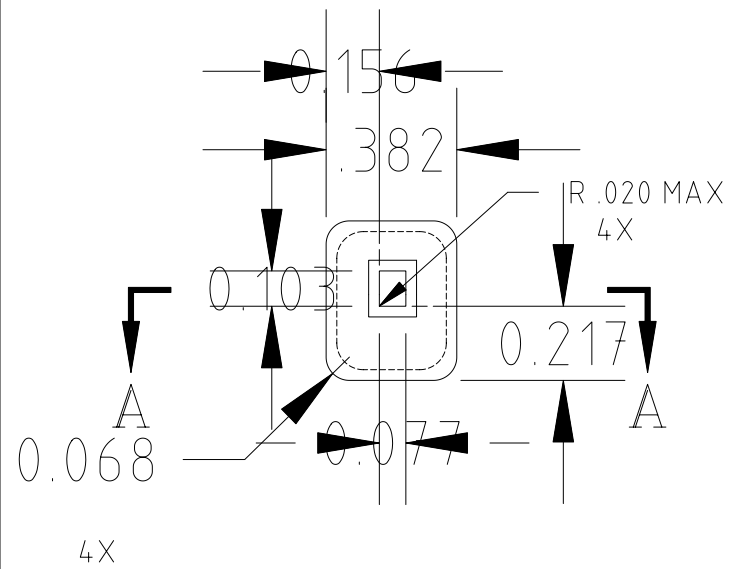
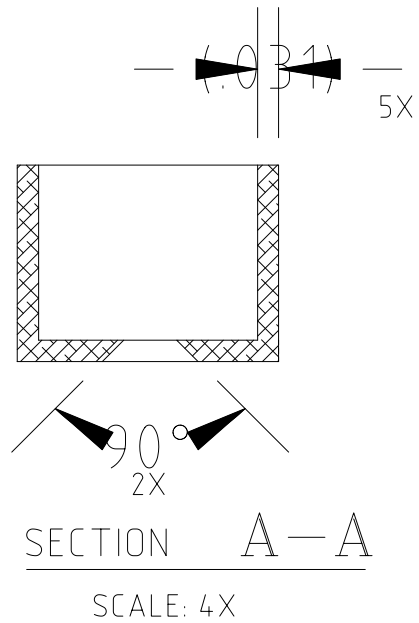


REVISIONS					
REV.	ECO NO.	DESCRIPTION	CHECKED	APPROVED	DATE
A	36-417	INITIAL RELEASE			



NOTES: 0.078^{4X}

1. MATERIAL: AL 6061-T6 PER QQ-A-250/11
2. DEBURR AND REMOVE ALL SHARP EDGES.
3. FINISH: CHEMICAL CONVERSION COAT PER MIL-C-5541, CLASS 3.

		UNLESS OTHERWISE SPECIFIED DIMENSIONS ARE IN INCHES TOLERANCE: ANGLES ± 1° 3 PLACE DECIMALS ± .005 2 PLACE DECIMALS ± .01	NAME	DATE	MASSACHUSETTS INSTITUTE OF TECHNOLOGY CENTER FOR SPACE RESEARCH CAMBRIDGE, MA 02139			
			DRAWN	H.C.WEST	11/8/95	ACM HOUSING BAFFLE		
		MATERIAL	APPROVED		SIZE			
		SEE NOTE 1	RELEASED		B	80230	36-10202.0204	A
36-10202.02	ACIS	INTERPRET DIMENSIONS AND TOLERANCES IAW ANSI Y14.5M-1982	WEIGHT		SCALE	2/1	SHEET	1 OF 1
NEXT ASSEMBLY	USED ON		APPLICATION					