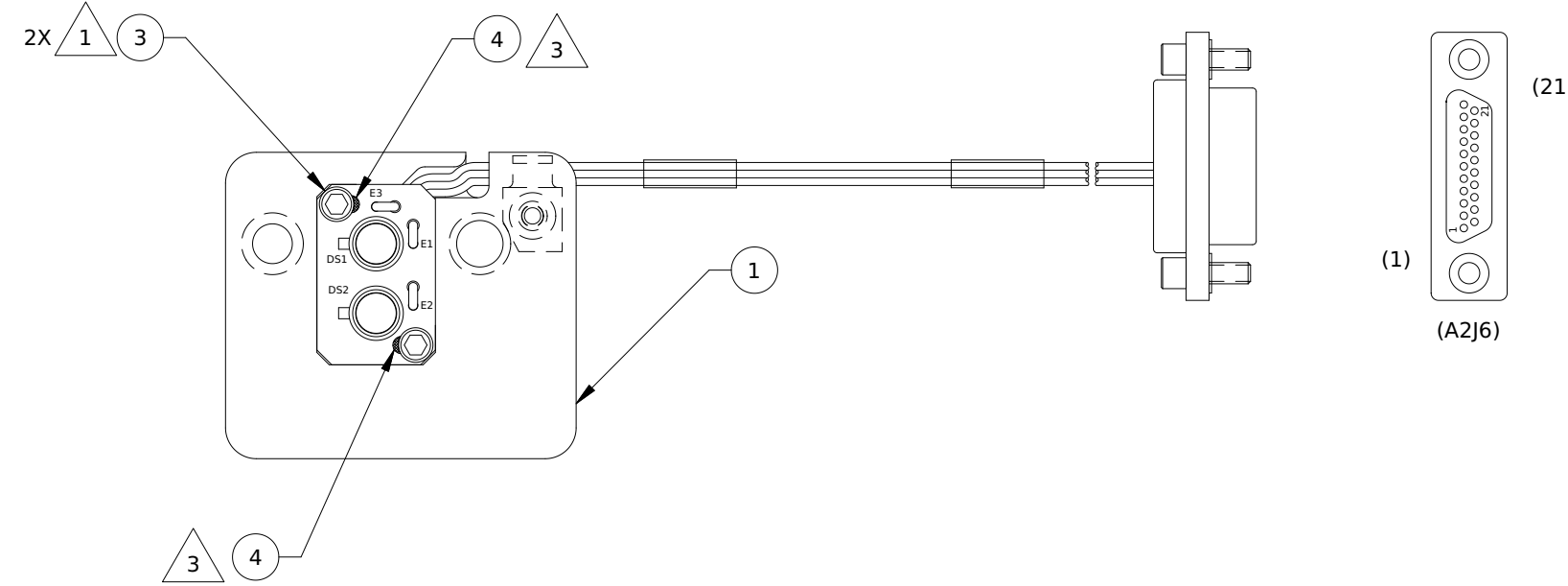
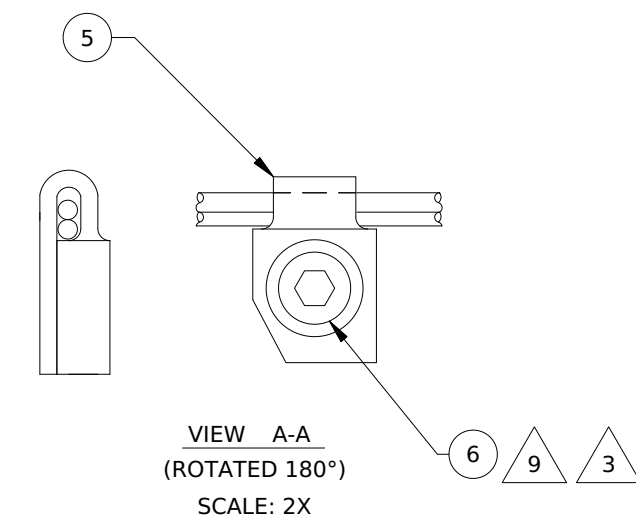
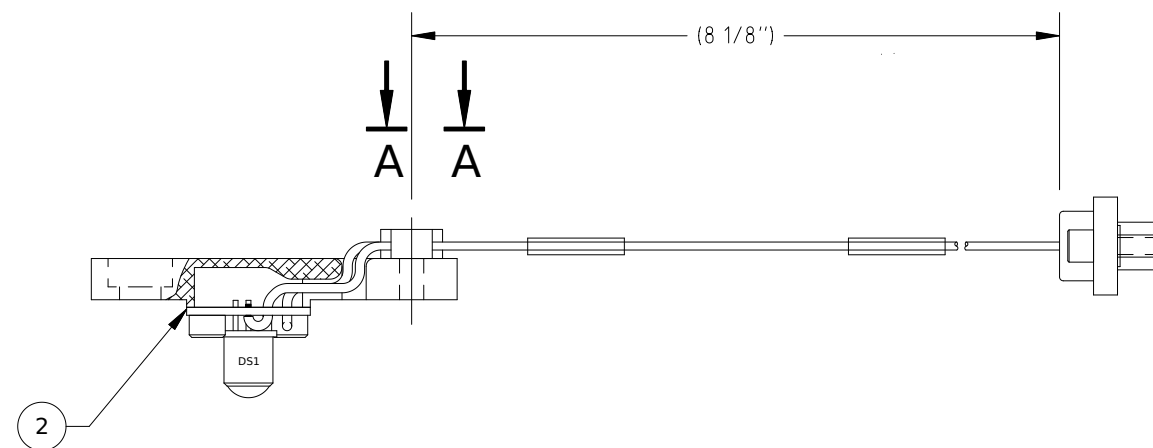


| REVISIONS |         |                        |         |         |          |         |
|-----------|---------|------------------------|---------|---------|----------|---------|
| REV.      | ECO NO. | DISCRIPTION            |         | CHECKED | APPROVED | DATE    |
| A         | 36-122  | INITIAL RELEASE        | PCT RFG | 4/26/95 |          |         |
| B         | 36-325  | CHANGED PER ECO 36-325 |         | PCT     | RFG      | 9/13/95 |
| C         | 36-558  | CHANGED PER ECO 36-558 |         | PCT     | RFG      | 6/17/96 |
| D         | 36-767  | CHANGED PER ECO 36-767 |         | PCT     | RFG      | 1/2/97  |
| E         | 36-791  | CHANGED PER ECO 36-791 |         |         |          |         |



**NOTES:**

- 1. TORQUE TO 40±8 IN. OZ.
- 2. WIRE PER 36-03021.01.
- 3. SPOT BOND AS SHOWN WITH FN4.
- 4. PRECISION CLEAN AND BAKE FINAL ASSEMBLY AT LOCKHEED MARTIN.
- 5. DOUBLE BAG AND TAG WITH PART No., REV AND SERIAL No.
- 6. ASSEMBLE IN A CLASS 100 CLEAN BENCH.
- 7. ALL ITEMS TO BE CLEANED PER 36-02027 PRIOR TO ASSEMBLY.
- 8. WEAR CONTAMINATION FREE GLOVES.

**NOTES (cont):**

- 9. TORQUE TO 20 IN. OZ.

|               |         |             |   |          |            |   |              |          |          |        |
|---------------|---------|-------------|---|----------|------------|---|--------------|----------|----------|--------|
| 36-10100      |         | ACIS        | UNLESS OTHERWISE SPECIFIED<br>DIMENSIONS ARE IN INCHES<br>TOLERANCE: ANGLES ± 1°<br>3 PLACE DECIMALS ± .005<br>2 PLACE DECIMALS ± .01 | NAME     | DATE       | MASSACHUSETTS INSTITUTE OF TECHNOLOGY<br>CENTER FOR SPACE RESEARCH<br>CAMBRIDGE, MA 02139 |              |          |          |        |
| NEXT ASSEMBLY | USED ON | APPLICATION | MATERIAL  | DRAWN    | J.COOK     | 1/13/95   | LED ASSEMBLY |          |          |        |
|               |         |             | SEE DATA BASE   | CHECKED  | P.C.TAPPAN | 4/26/95   | SIZE         | FSCM NO. | DWG. NO. | REV.   |
|               |         |             |   | APPROVED | R.F.GOEKE  | 4/27/95   | C            | 80230    | 36-10102 | E      |
|               |         |             |   | RELEASED | D.GAGE     | 4/26/95   | SCALE        | 2/1      | SHEET    | 1 OF 1 |
|               |         |             |   | WEIGHT   |            |   |              |          |          |        |