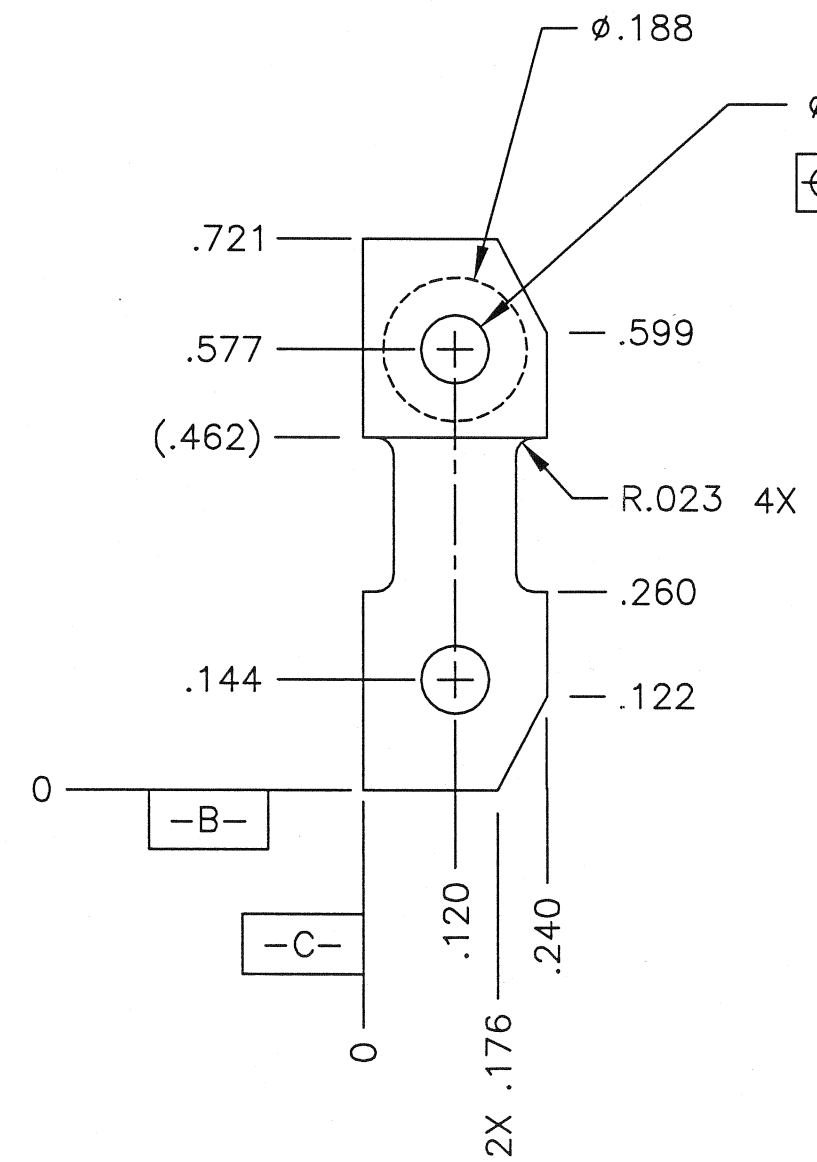
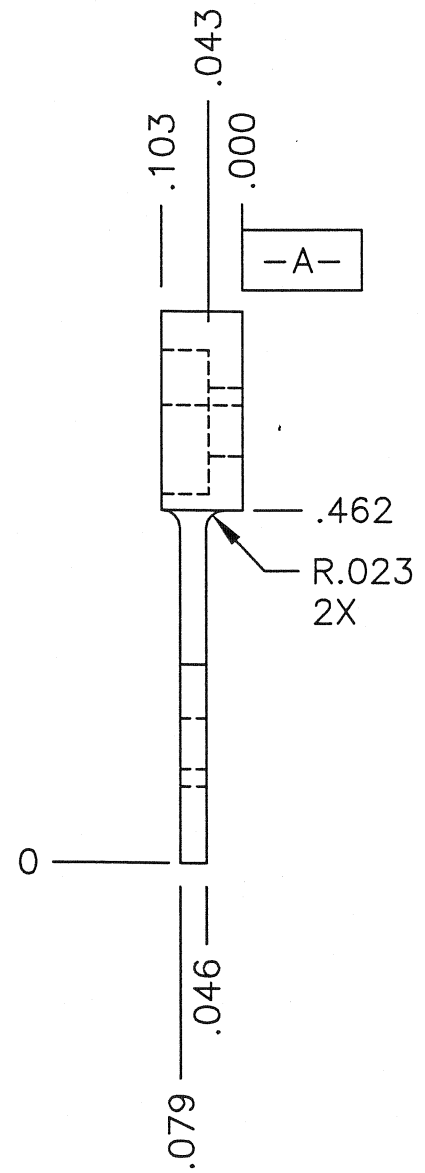


REVISIONS					
REV.	ECO NO.	DESCRIPTION	CHECKED	APPROVED	DATE
A	36-767	INITIAL RELEASE	P.C.T.		
B	36-795	REVISE PER ECO	P.C.T.	<i>ATL</i>	11/2/97



$\varnothing$	$\varnothing$ .010	(M)	A	B	C
---------------	--------------------	-----	---	---	---

2X

Controlled  
Copy 4

		UNLESS OTHERWISE SPECIFIED DIMENSIONS ARE IN INCHES TOLERANCE: ANGLES $\pm$ 1' 3 PLACE DECIMALS $\pm$ .005 2 PLACE DECIMALS $\pm$ .01	NAME	DATE	MASSACHUSETTS INSTITUTE OF TECHNOLOGY CENTER FOR SPACE RESEARCH CAMBRIDGE, MA 02139		
			DRAWN H.C.WEST	8/23/96	LED CABLE CLAMP		
			CHECKED P. C. T.	12/18/96			
		MATERIAL TEFLON(TFE)	APPROVED <i>P.C.T.</i>	11/2/97	SIZE CAGE CODE DWG. NO. REV. B 80230 36-10102.05 B		
			RELEASED <i>D. Stapp</i>	11/2/97			
36-10102	ACIS	INTERPRET DIMENSIONS AND TOLERANCES IAW ANSI Y14.5M-1982	WEIGHT		SCALE 4/1		SHEET 1 OF 1
NEXT ASSEMBLY	USED ON						
APPLICATION							