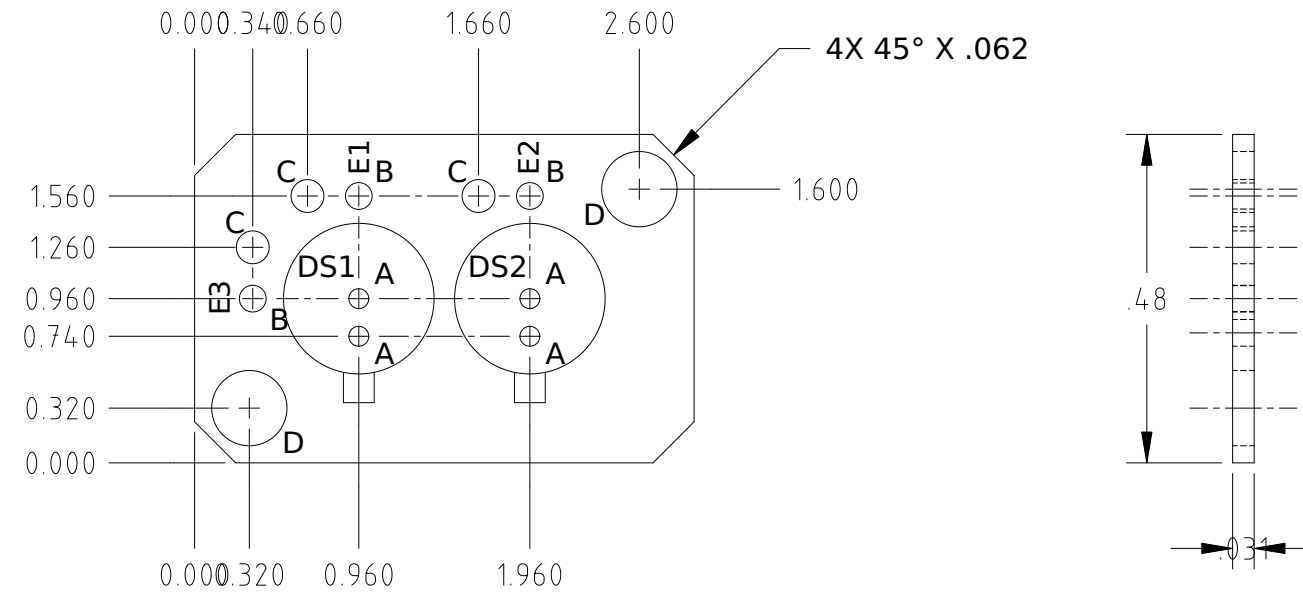
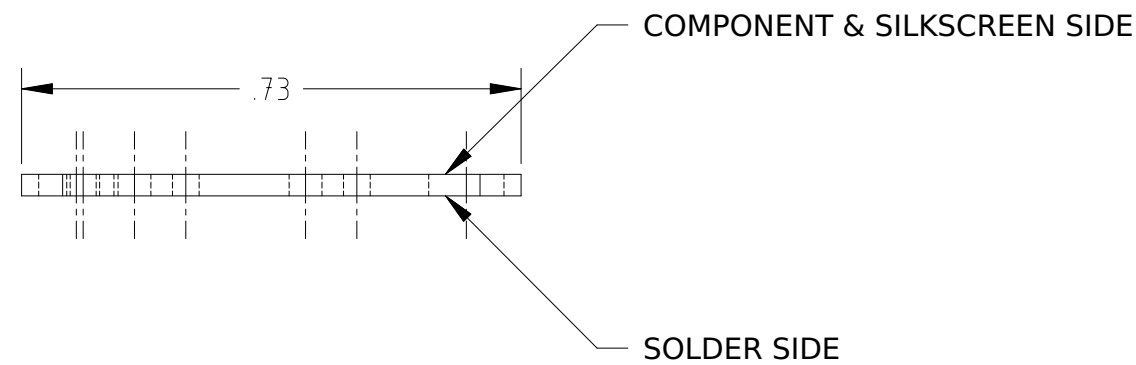


REVISIONS					
REV.	ECO NO.	DISCRIPTION	CHECKED	APPROVED	DATE
A	36-326	INITIAL RELEASE	PCT	RFG	9/7/95
B	36-487	ADD DIM TO E3			



HOLE CHART		
HOLE	DESCRIPTION	QTY
A	ø.029 +/- .003 PLATED THRU	4
B	ø.039 +/- .003 PLATED THRU	3
C	ø.048 +/- .003 UNPLATED THRU	3
D	ø.110 +/- .003 UNPLATED THRU	2



LAYER	PHOTO TOOL	REV
COMPONENT	36-10102.020101	A
SOLDER	36-10102.020102	A
SILKSCREEN	36-10102.020103	A

**NOTES:**

- ITEM SHALL BE FABRICATED AND TESTED IAW 36-02105.
- HOLE SIZES ARE AFTER PLATING.
- BAG AND TAG WITH P/N AND REVISION.

		UNLESS OTHERWISE SPECIFIED DIMENSIONS ARE IN INCHES TOLERANCE: ANGLES ± 1° 3 PLACE DECIMALS ± .005 2 PLACE DECIMALS ± .01	NAME	DATE	MASSACHUSETTS INSTITUTE OF TECHNOLOGY CENTER FOR SPACE RESEARCH CAMBRIDGE, MA 02139			
			DRAWN J. COOK	8/3/95	<b>LED PC BOARD</b>			
		CHECKED p.C.Tappan	8/29/95	SIZE				
		MATERIAL	APPROVED R.F.Goeke	9/7/95	<b>B</b>	<b>80230</b>	<b>36-10102.0201</b>	<b>B</b>
36-10102.02		ACIS	RELEASED D. Gage	9/8/95	SCALE	4/1	SHEET	1 OF 1
NEXT ASSEMBLY		USED ON	WEIGHT					
APPLICATION		MIL-P-13949/22 1/2 Oz. COPPER 2 SIDES						