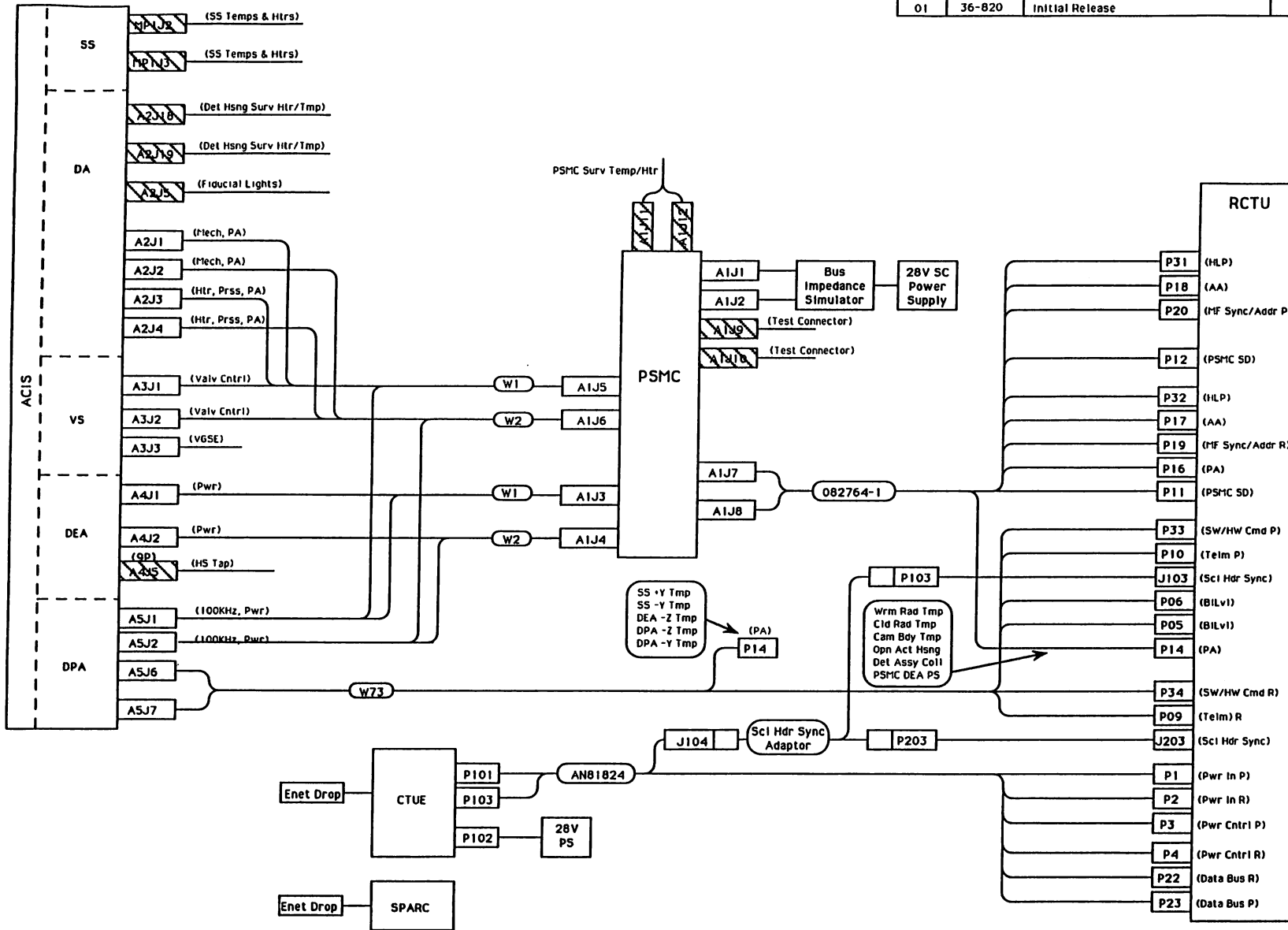


REV.	ECO NO.	DESCRIPTION	CHECKED	APPROVED	DATE
01	36-820	Initial Release			12/04/96



NAME	DATE	MASSACHUSETTS INSTITUTE OF TECHNOLOGY CENTER FOR SPACE RESEARCH			
DRAWN	M.Doucette	11/29/96	ACIS		
APPROVED			EMI Test Configuration w/CTUE/RCTU		
CHECKED			SIZE	CODE IDENT NO.	DRAWING NO.
RELEASED			A	80230	36-09002.50
			SCALE	SHEET	1 of 1
					REV. 01

Not Required for Test