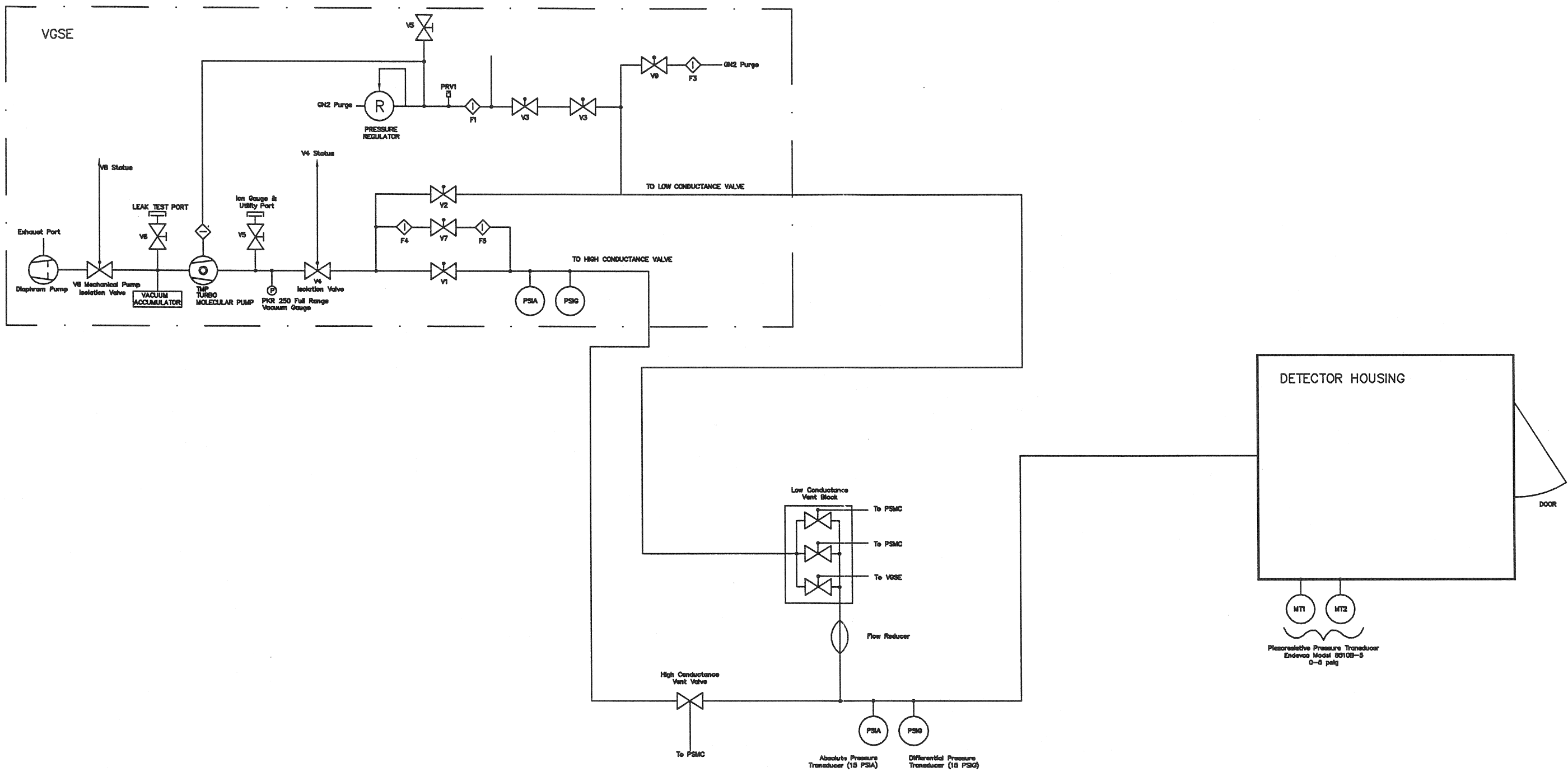


REVISIONS					
REV.	ECO NO.	DESCRIPTION	CHECKED	APPROVED	DATE
01	36-948	INITIAL RELEASE			



		UNLESS OTHERWISE SPECIFIED DIMENSIONS ARE IN INCHES TOLERANCE: ANGLES $\pm 1^\circ$ 3 PLACE DECIMALS $\pm .005$ 2 PLACE DECIMALS $\pm .01$	NAME	DATE	MASSACHUSETTS INSTITUTE OF TECHNOLOGY CENTER FOR SPACE RESEARCH CAMBRIDGE, MA 02139
			DRAWN F. Kasparian	7/8/97	
			CHECKED		
		MATERIAL	APPROVED		
			RELEASED		
NEXT ASSEMBLY	USED ON	INTERPRET DIMENSIONS AND TOLERANCES IAW ANSI Y14.5M-1982	WEIGHT		SIZE B CAGE CODE 80230 DWG. NO. 36-03030 REV. 01
APPLICATION					