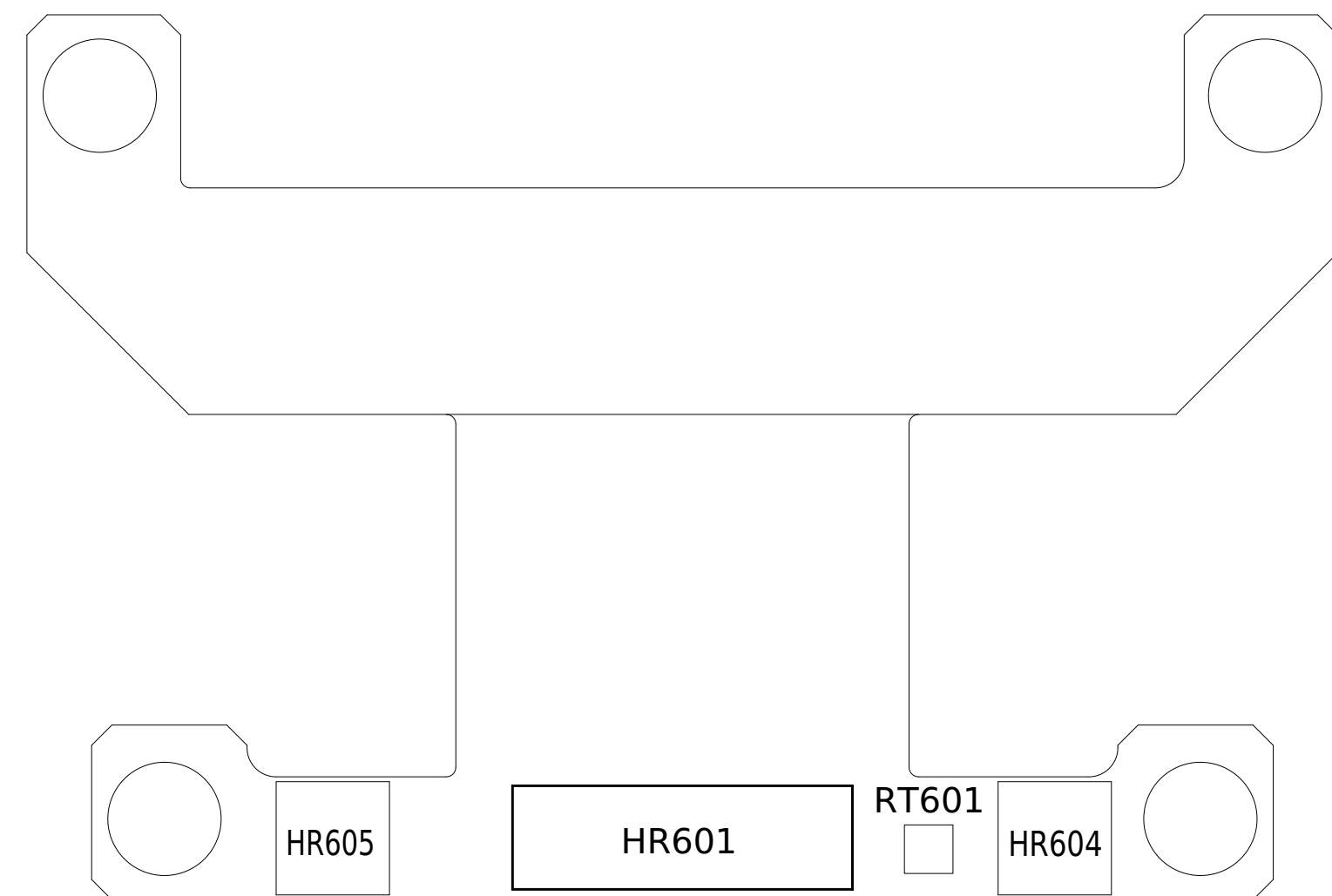
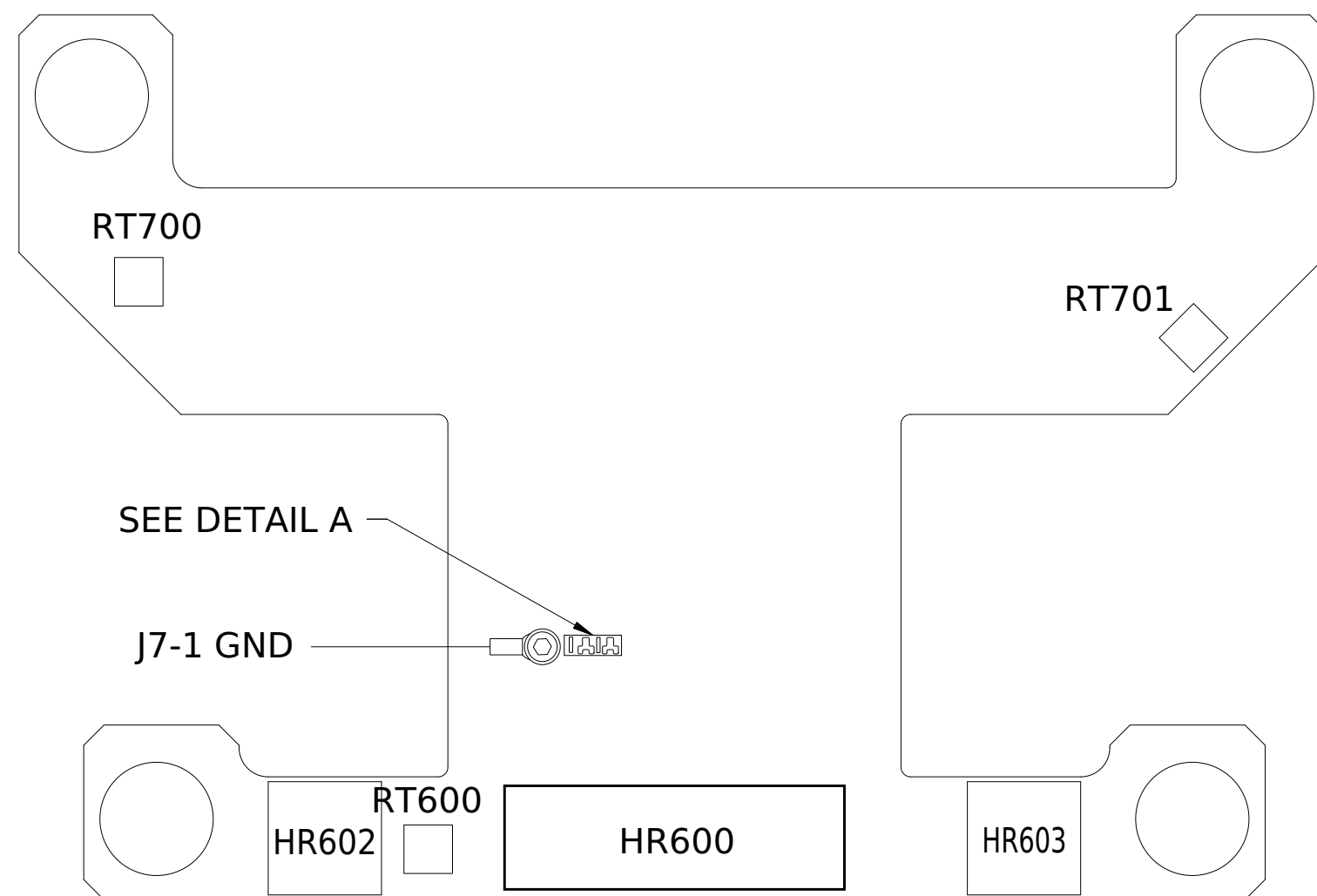
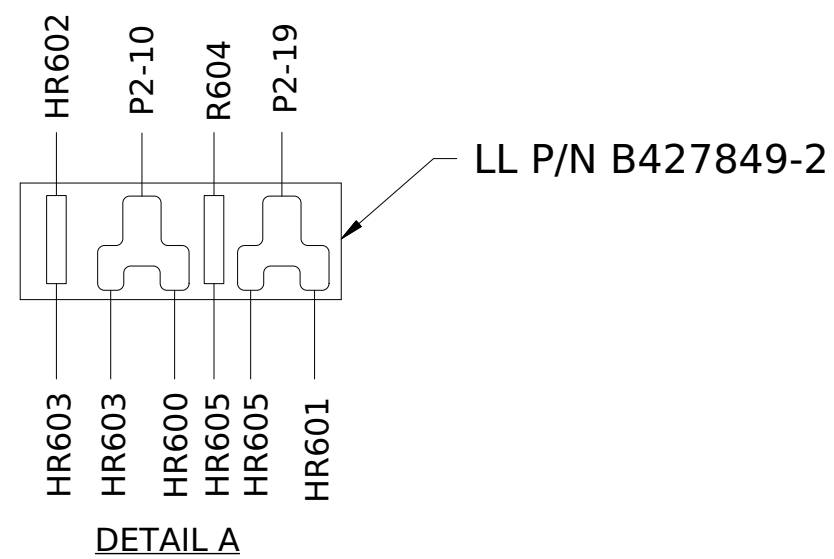


REVISIONS					
REV.	ECO NO.	DESCRIPTION	CHECKED	APPROVED	DATE
A	36-189	INITIAL RELEASE	PCT	RFG	5/2/95
B	36-331	IDENTIFY PRIMARY AND REDUNDANT THERM CNTL COMPS	FJK	RFG	9/18/95
C	36-409	NEW HEATER VALUES WIRE SIZE AND CHASSIS GND	FJK	RFG	11/20/95
D	36-459	NEW HEATER & RT REF DES	FJK	RFG	1/10/96
E	36-518	REDEFINE FOCAL PLANE COMPS	FJK	RFG	3/15/96
F	36-627	DELETE RT702&703			



NOTES:

- PRIMARY THERMAL CONTROL COMPONENTS:
 HR602 HR603 TRIM HEATERS
 HR600 BAKEOUT HEATER
 RT600 RTD
- REDUNDANT THERMAL CONTROL COMPONENTS:
 HR604 HR605 TRIM HEATERS
 HR601 BAKEOUT HEATER
 RT601 RTD
- HOUSEKEEPING COMPONENTS:
 RT700 RT701 RTD

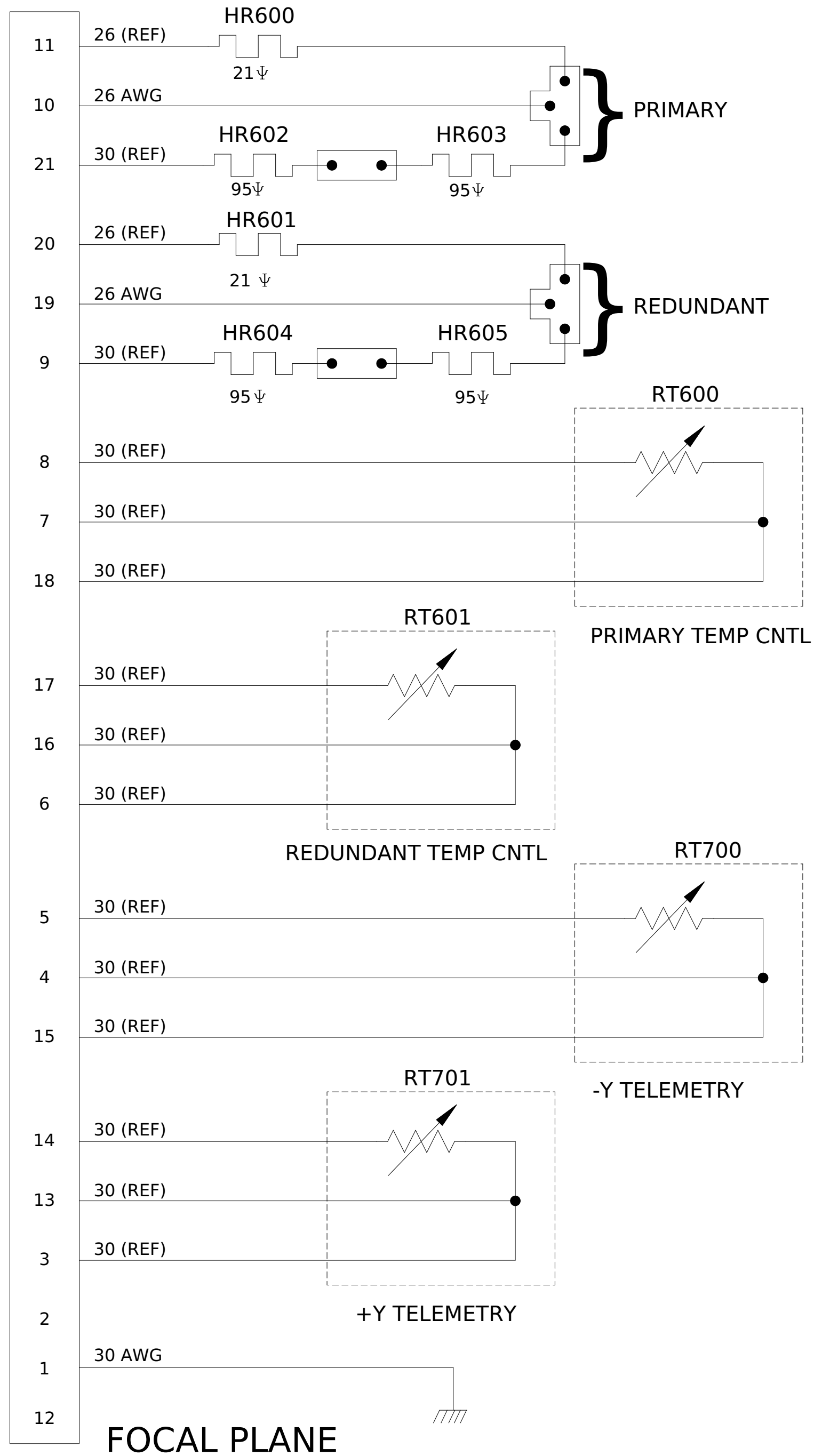
F	F																		
1	2	3	4	5	6	7	8	9	10										

REVISION STATUS OF SHEETS

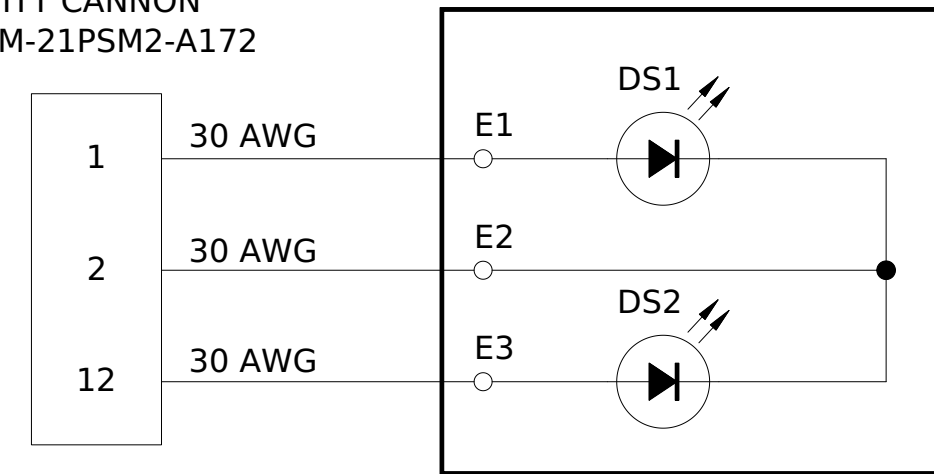
		UNLESS OTHERWISE SPECIFIED DIMENSIONS ARE IN INCHES TOLERANCE: ANGLES? 1° 3 PLACE DECIMALS? .005 2 PLACE DECIMALS? .01	NAME	DATE	MASSACHUSETTS INSTITUTE OF TECHNOLOGY CENTER FOR SPACE RESEARCH CAMBRIDGE, MA 02139			
			DRAWN: F.KASPARIAN	4/4/95	INTERCONNECTION DIAGRAM- MIT PORTION OF DETECTOR ASSY			
			CHECKED: P.C.Tappan	5/2/95				
			APPROVED: R.F.Goeke	5/2/95	SIZE	CAGE CODE	DWG. NO.	REV.
			RELEASED: D.Gage	5/2/95	C	80230	36-03021.03	F
			WEIGHT		SCALE	NONE	SHEET	1 OF 2
NEXT ASSEMBLY	USED ON	APPLICATION						

A2J7
ITT CANNON
MDM-21PSM2-A172

REVISIONS					
REV.	ECO NO.	DESCRIPTION	CHECKED	APPROVED	DATE
		SEE SHEET 1			



A2J6
ITT CANNON
MDM-21PSM2-A172



HOUSING

SIZE	CAGE CODE	DWG. NO.	REV.
C	80230	36-03021.03	F
SCALE NONE		SHEET 2 OF 2	