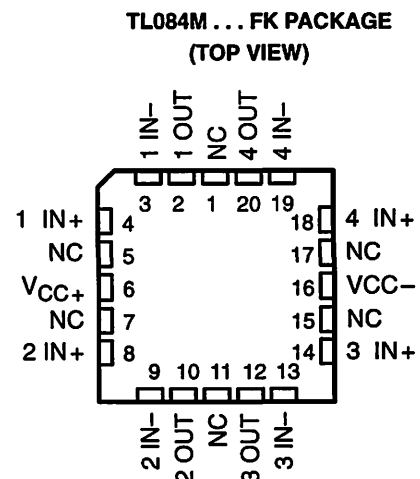
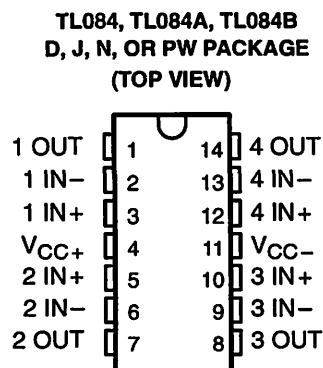
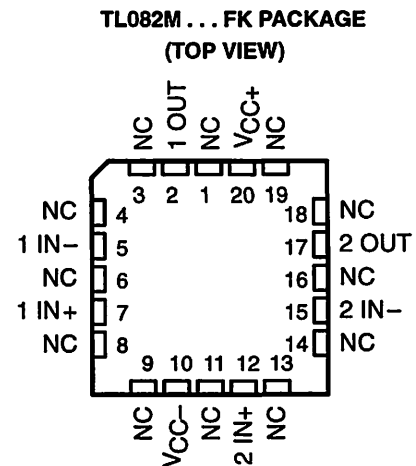
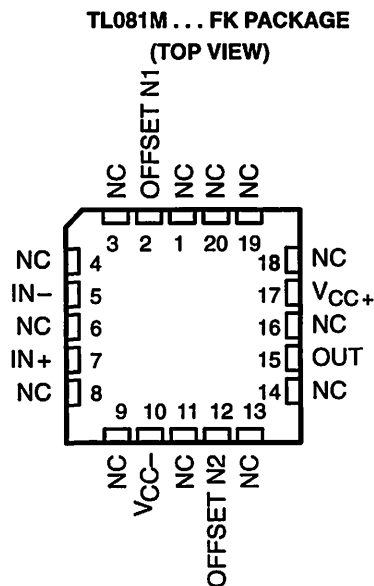
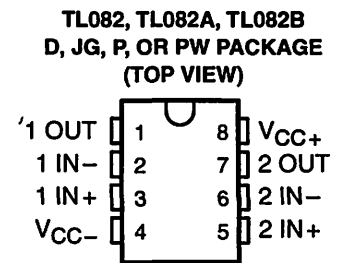
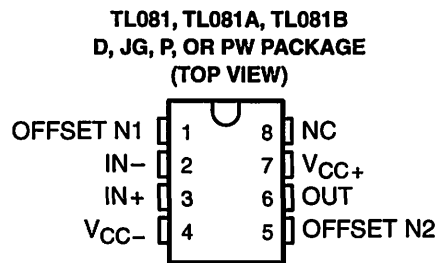
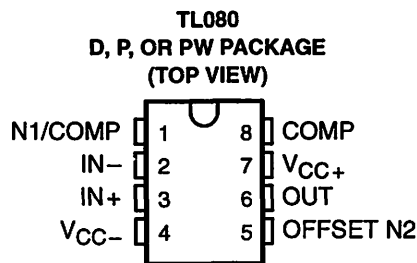


# TL080, TL081, TL082, TL084, TL081A, TL082A, TL084A TL081B, TL082B, TL084B, TL082Y, TL084Y JFET-INPUT OPERATIONAL AMPLIFIERS

SLOS081A-D2297, FEBRUARY 1977-REVISED NOVEMBER 1992

## 24 DEVICES COVER COMMERCIAL, INDUSTRIAL, AND MILITARY TEMPERATURE RANGES

- Low-Power Consumption
- Wide Common-Mode and Differential Voltage Ranges
- Low Input Bias and Offset Currents
- Output Short-Circuit Protection
- Low Total Harmonic Distortion . . . 0.003% Typ
- High Input Impedance . . . JFET-Input Stage
- Internal Frequency Compensation (Except TL080, TL080A)
- Latch-Up-Free Operation
- High Slew Rate . . . 13 V/ $\mu$ s Typ
- Common-Mode Input Voltage Range Includes  $V_{CC+}$



NC—No internal connection

PRODUCTION DATA Information is current as of publication date. Products conform to specifications per the terms of Texas Instruments standard warranty. Production processing does not necessarily include testing of all parameters.

**TEXAS**  
**INSTRUMENTS**

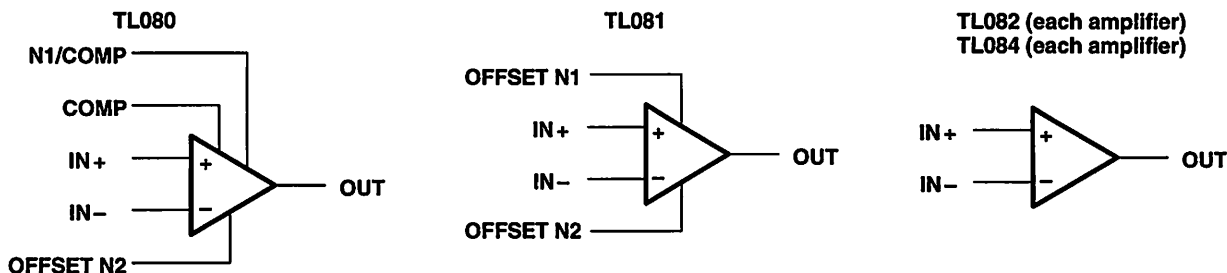
POST OFFICE BOX 655303 • DALLAS, TEXAS 75265  
POST OFFICE BOX 1443 • HOUSTON, TEXAS

Copyright © 1992, Texas Instruments Incorporated  
On products compliant to MIL-STD-883, Class B, all parameters are tested unless otherwise noted. On all other products, production processing does not necessarily include testing of all parameters.

**TL080, TL081, TL082, TL084, TL081A, TL082A, TL084A  
TL081B, TL082B, TL084B, TL082Y, TL084Y  
JFET-INPUT OPERATIONAL AMPLIFIERS**

SLOS081A-D2297, FEBRUARY 1977-REVISED NOVEMBER 1992

**symbols**



**description**

The TL08\_ JFET-input operational amplifier family is designed to offer a wider selection than any previously developed operational amplifier family. Each of these JFET-input operational amplifiers incorporates well-matched, high-voltage JFET and bipolar transistors in a monolithic integrated circuit. The devices feature high slew rates, low input bias and offset currents, and low offset voltage temperature coefficient. Offset adjustment and external compensation options are available within the TL08\_ family.

Device types with a C suffix are characterized for operation from 0°C to 70°C, those with an I suffix are characterized for operation from -40°C to 85°C, and those with an M suffix are characterized for operation over the full military temperature range of -55°C to 125°C.

**AVAILABLE OPTIONS**

T <sub>A</sub>	V <sub>IO</sub> MAX at 25°C	PACKAGE								CHIP FORM (Y)
		SMALL OUTLINE (D008)	SMALL OUTLINE (D014)	CHIP CARRIER (FK)	CERAMIC DIP (J)	CERAMIC DIP (JG)	PLASTIC DIP (N)	PLASTIC DIP (P)	TSSOP (PW)	
0°C to 70°C	15 mV	TL080CD						TL080CP	TL080CPW	
	15 mV	TL081CD	—	—	—	—	—	TL081CP	TL081CPW	—
	6 mV 3 mV	TL081ACD TL081BCD	—	—	—	—	—	TL081ACP TL081BCP		
0°C to 70°C	15 mV	TL082CD						TL082CP	TL082CPW	TL082Y
	6 mV	TL082ACD	—	—	—	—	—	TL082ACP		
	3 mV	TL082BCD	—	—	—	—	—	TL082BCP		
-40°C to 85°C	15 mV		TL084CD				TL084CN		TL084CPW	TL084Y
	6 mV	—	TL084ACD	—	—	—	TL084ACN	—		
	3 mV		TL084BCD	—	—	—	TL084BCN			
-40°C to 85°C	6 mV	TL081ID						TL081IP		
	6 mV	TL082ID						TL082IP	—	—
	6 mV	TL084ID	TL084ID				TL084IN			
-55°C to 125°C	6 mV			TL081MFK		TL081MJG				
	6 mV	—	—	TL082MFK		TL082MJG	—	—	—	—
	9 mV			TL084MFK	TL084MJ					

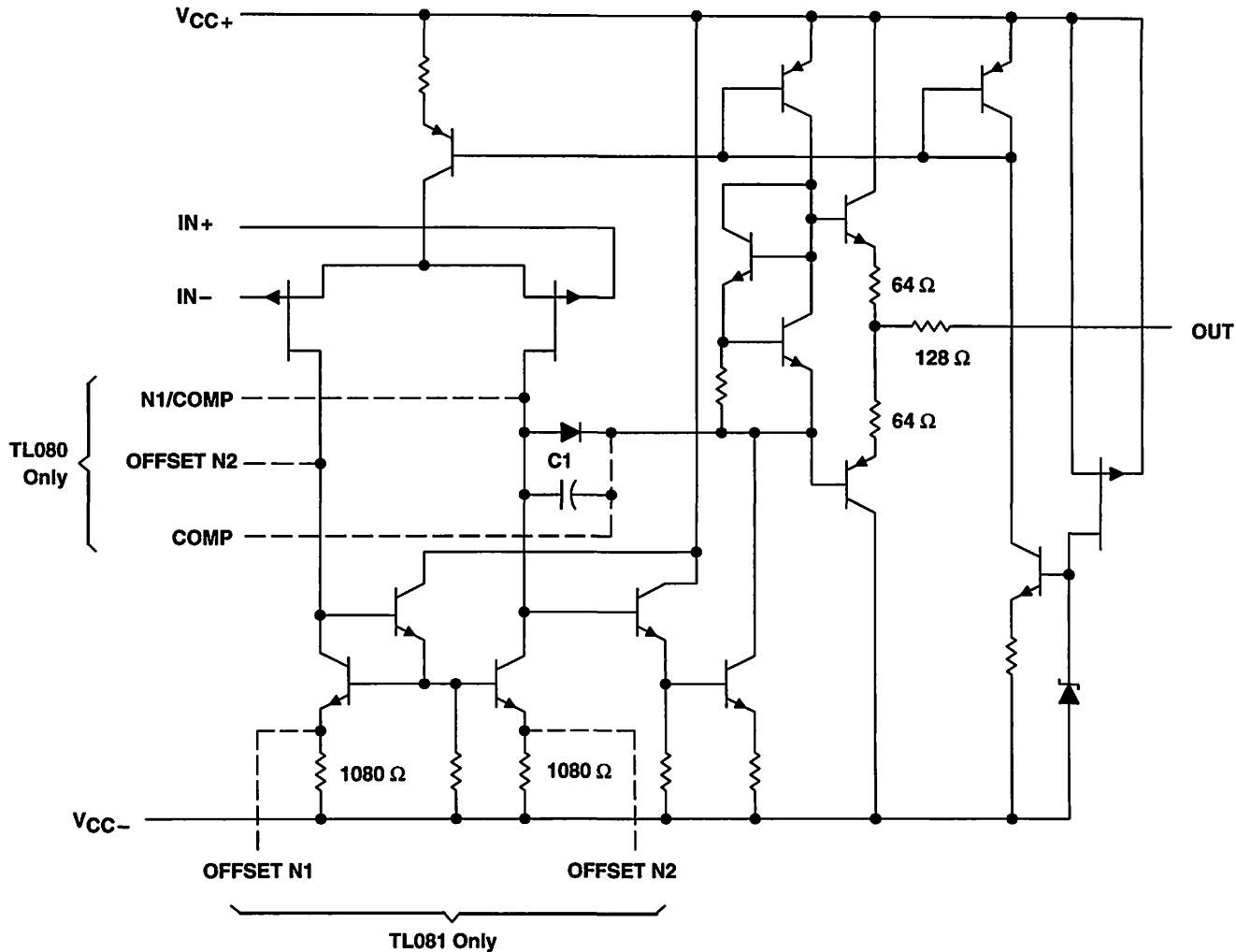
The D package is available taped and reeled. Add R suffix to device type, (e.g., TL080CDR).



TL080, TL081, TL082, TL084, TL081A, TL082A, TL084A  
 TL081B, TL082B, TL084B  
**JFET-INPUT OPERATIONAL AMPLIFIERS**

SLOS081A-D2297, FEBRUARY 1977-REVISED NOVEMBER 1992

schematic (each amplifier)



C1 = 18 pF on TL081, TL082, and TL084 only (including their suffix versions).  
 Component values shown are nominal.

# TL082Y

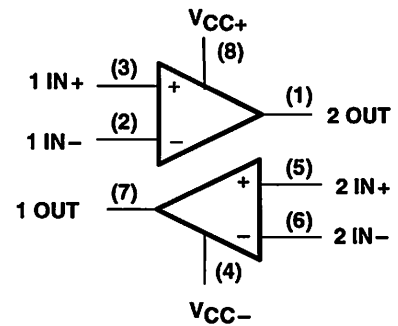
## JFET-INPUT DUAL OPERATIONAL AMPLIFIER

SLOS081A-D2297, FEBRUARY 1977-REVISED NOVEMBER 1992

### chip information

These chips, when properly assembled, display characteristics similar to the TL082. Thermal compression or ultrasonic bonding may be used on the doped aluminum bonding pads. Chips may be mounted with conductive epoxy or a gold-silicon preform.

#### BONDING PAD ASSIGNMENTS



CHIP THICKNESS: 15 TYPICAL

BONDING PADS: 4 × 4 MINIMUM

T<sub>jmax</sub> = 150°C

TOLERANCES ARE ±10%

ALL DIMENSIONS ARE IN MILS

PIN (4) INTERNALLY CONNECTED  
TO BACKSIDE OF CHIP

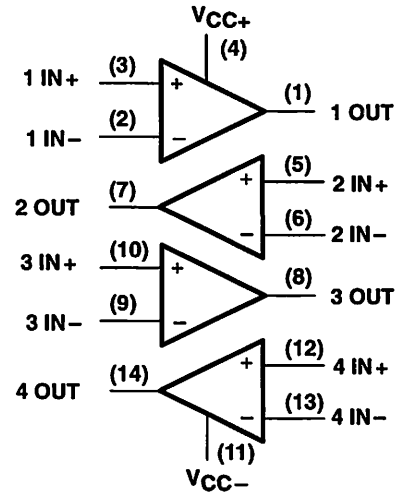
# TL084Y JFET-INPUT QUAD OPERATIONAL AMPLIFIER

SLOS081A-D2297, FEBRUARY 1977-REVISED NOVEMBER 1992

## chip information

These chips, when properly assembled, display characteristics similar to the TL084. Thermal compression or ultrasonic bonding may be used on the doped aluminum bonding pads. Chips may be mounted with conductive epoxy or a gold-silicon preform.

### BONDING PAD ASSIGNMENTS



CHIP THICKNESS: 15 TYPICAL

BONDING PADS: 4 × 4 MINIMUM

T<sub>Jmax</sub> = 150°C

TOLERANCES ARE ±10%

ALL DIMENSIONS ARE IN MILS

PIN (11) INTERNALLY CONNECTED  
TO BACKSIDE OF CHIP

TEXAS  
INSTRUMENTS

POST OFFICE BOX 655303 • DALLAS, TEXAS 75265  
POST OFFICE BOX 1443 • HOUSTON, TEXAS  
77051-1443

**TL080, TL081, TL082, TL084, TL081A, TL082A, TL084A  
TL081B, TL082B, TL084B  
JFET-INPUT OPERATIONAL AMPLIFIERS**

SLOS081A-D2297, FEBRUARY 1977-REVISED NOVEMBER 1992

**absolute maximum ratings over operating free-air temperature range (unless otherwise noted)**

	TL08_C TL08_AC TL08_BC	TL08_I	TL08_M	UNIT
Supply voltage, $V_{CC+}$ (see Note 1)	18	18	18	V
Supply voltage $V_{CC-}$ (see Note 1)	-18	-18	-18	V
Differential input voltage (see Note 2)	$\pm 30$	$\pm 30$	$\pm 30$	V
Input voltage (see Notes 1 and 3)	$\pm 15$	$\pm 15$	$\pm 15$	V
Duration of output short circuit (see Note 4)	unlimited	unlimited	unlimited	
Continuous total dissipation	See Dissipation Rating Table			
Operating free-air temperature range	0 to 70	-40 to 85	-55 to 125	$^{\circ}\text{C}$
Storage temperature range	-65 to 150	-65 to 150	-65 to 150	$^{\circ}\text{C}$
Case temperature for 60 seconds	FK package		260	$^{\circ}\text{C}$
Lead temperature 1,6 mm (1/16 inch) from case for 60 seconds	J or JG package		300	$^{\circ}\text{C}$
Lead temperature 1,6 mm (1/16 inch) from case for 10 seconds	D, N, P, or PW package	260	260	$^{\circ}\text{C}$

- NOTES: 1. All voltage values, except differential voltages, are with respect to the midpoint between  $V_{CC+}$  and  $V_{CC-}$ .  
 2. Differential voltages are at the noninverting input terminal with respect to the inverting input terminal.  
 3. The magnitude of the input voltage must never exceed the magnitude of the supply voltage or 15 V, whichever is less.  
 4. The output may be shorted to ground or to either supply. Temperature and/or supply voltages must be limited to ensure that the dissipation rating is not exceeded.

**DISSIPATION RATING TABLE**

PACKAGE	$T_A \leq 25^{\circ}\text{C}$ POWER RATING	DERATING FACTOR	DERATE ABOVE $T_A$	$T_A = 70^{\circ}\text{C}$ POWER RATING	$T_A = 85^{\circ}\text{C}$ POWER RATING	$T_A = 125^{\circ}\text{C}$ POWER RATING
D (8 Pin)	680 mW	5.8 mW/ $^{\circ}\text{C}$	32 $^{\circ}\text{C}$	464 mW	377 mW	N/A
D (14 Pin)	680 mW	7.6 mW/ $^{\circ}\text{C}$	60 $^{\circ}\text{C}$	608 mW	494 mW	N/A
FK	680 mW	11.0 mW/ $^{\circ}\text{C}$	88 $^{\circ}\text{C}$	680 mW	680 mW	275 mW
J	680 mW	11.0 mW/ $^{\circ}\text{C}$	88 $^{\circ}\text{C}$	680 mW	680 mW	275 mW
JG	680 mW	8.4 mW/ $^{\circ}\text{C}$	69 $^{\circ}\text{C}$	672 mW	546 mW	210 mW
N	680 mW	9.2 mW/ $^{\circ}\text{C}$	76 $^{\circ}\text{C}$	680 mW	598 mW	N/A
P	680 mW	8.0 mW/ $^{\circ}\text{C}$	65 $^{\circ}\text{C}$	640 mW	520 mW	N/A
PW (8 Pin)	525 mW	4.2 mW/ $^{\circ}\text{C}$	25 $^{\circ}\text{C}$	336 mW	N/A	N/A
PW (14 Pin)	700 mW	5.6 mW/ $^{\circ}\text{C}$	25 $^{\circ}\text{C}$	448 mW	N/A	N/A

electrical characteristics,  $V_{CC\pm} = \pm 15$  V (unless otherwise noted)

PARAMETER	TEST CONDITIONST		TL080C TL081C TL082C TL084C			TL081AC TL082AC TL084AC			TL081BC TL082BC TL084BC			TL0811 TL0821 TL0841			UNIT
			MIN	TYP	MAX	MIN	TYP	MAX	MIN	TYP	MAX	MIN	TYP	MAX	
$V_{IO}$ Input offset voltage	$V_O = 0,$ $R_S = 50 \Omega$	$T_A = 25^\circ\text{C}$	3	15		3	6		2	3		3	6	mV	
		$T_A = \text{full range}$		20		7.5		5		9					
$\alpha_{VIO}$ Temperature coefficient of input offset voltage	$V_O = 0,$ $T_A = \text{full range}$	$R_S = 50 \Omega,$	18			18			18			18		$\mu\text{V}/^\circ\text{C}$	
$I_{IO}$ Input offset current ‡	$V_O = 0$	$T_A = 25^\circ\text{C}$	5	200		5	100		5	100		5	100	pA	
		$T_A = \text{full range}$		2		2		2		10					
$I_{IB}$ Input bias current ‡	$V_O = 0$	$T_A = 25^\circ\text{C}$	30	400		30	200		30	200		30	200	pA	
		$T_A = \text{full range}$		10		7		7		20					
$V_{ICR}$ Common-mode input voltage range	$T_A = 25^\circ\text{C}$		$\pm 11$	-12 to 15		$\pm 11$	-12 to 15		$\pm 11$	-12 to 15		$\pm 11$	-12 to 15	V	
$V_{OM}$ Maximum peak output voltage swing	$T_A = 25^\circ\text{C}$		$\pm 12$	$\pm 13.5$		$\pm 12$	$\pm 13.5$		$\pm 12$	$\pm 13.5$		$\pm 12$	$\pm 13.5$	V	
	$T_A = \text{full range}$	$R_L \geq 10 \text{ k}\Omega$	$\pm 12$			$\pm 12$			$\pm 12$			$\pm 12$			
		$R_L \geq 2 \text{ k}\Omega$	$\pm 10$	$\pm 12$		$\pm 10$	$\pm 12$		$\pm 10$	$\pm 12$		$\pm 10$	$\pm 12$		
$A_{VD}$ Large-signal differential voltage amplification	$V_O = \pm 10 \text{ V},$ $T_A = 25^\circ\text{C}$		25	200		50	200		50	200		50	200	V/mV	
	$V_O = \pm 10 \text{ V},$ $T_A = \text{full range}$		15			25			25			25			
$B_1$ Unity-gain bandwidth	$T_A = 25^\circ\text{C}$		3			3			3			3		MHz	
$r_i$ Input resistance	$T_A = 25^\circ\text{C}$		$10^{12}$			$10^{12}$			$10^{12}$			$10^{12}$		$\Omega$	
CMRR Common-mode rejection ratio	$V_{IC} = V_{ICR} \text{ min},$ $R_S = 50 \Omega,$ $V_O = 0,$ $T_A = 25^\circ\text{C}$		70	86		80	86		80	86		80	86	dB	
$k_{SVR}$ Supply voltage rejection ratio ( $\Delta V_{CC\pm} / \Delta V_{IO}$ )	$V_{CC} = \pm 15 \text{ V to } \pm 9 \text{ V},$ $R_S = 50 \Omega,$ $V_O = 0,$ $T_A = 25^\circ\text{C}$		70	86		80	86		80	86		80	86	dB	
$I_{CC}$ Supply current (per amplifier)	No load, $T_A = 25^\circ\text{C}$		1.4	2.8		1.4	2.8		1.4	2.8		1.4	2.8	mA	
$V_{O1}/V_{O2}$ Crosstalk attenuation	$A_{VD} = 100,$ $T_A = 25^\circ\text{C}$		120			120			120			120		dB	

† All characteristics are measured under open-loop conditions with zero common-mode voltage unless otherwise specified. Full range for  $T_A$  is  $0^\circ\text{C}$  to  $70^\circ\text{C}$  for TL08\_C, TL08\_AC, TL08\_BC and  $-40^\circ\text{C}$  to  $85^\circ\text{C}$  for TL08\_I.

‡ Input bias currents of a FET-input operational amplifier are normal junction reverse currents, which are temperature sensitive as shown in Figure 18. Pulse techniques must be used that will maintain the junction temperature as close to the ambient temperature as possible.

# TL081M, TL082M, TL084M JFET-INPUT OPERATIONAL AMPLIFIERS

SLOS081A-D2297, FEBRUARY 1977-REVISED NOVEMBER 1992

## electrical characteristics, $V_{CC\pm} = \pm 15$ V (unless otherwise noted)

PARAMETER	TEST CONDITIONS†	TL081M, TL082M			TL084M			UNIT
		MIN	TYP	MAX	MIN	TYP	MAX	
$V_{IO}$ Input offset voltage	$V_O = 0$ , $R_S = 50 \Omega$	$T_A = 25^\circ\text{C}$		3	6	$T_A = 25^\circ\text{C}$		mV
		$T_A = -55^\circ\text{C to } 125^\circ\text{C}$		9		15		
$\alpha_{VIO}$ Temperature coefficient of input offset voltage	$V_O = 0$ , $R_S = 50 \Omega$ , $T_A = -55^\circ\text{C to } 125^\circ\text{C}$	18			18			$\mu\text{V}/^\circ\text{C}$
$I_{IO}$ Input offset current‡	$V_O = 0$	$T_A = 25^\circ\text{C}$		5	100	$T_A = 25^\circ\text{C}$		pA
		$T_A = 125^\circ\text{C}$		20		$T_A = 125^\circ\text{C}$		nA
$I_{IB}$ Input bias current‡	$V_O = 0$	$T_A = 25^\circ\text{C}$		30	200	$T_A = 25^\circ\text{C}$		pA
		$T_A = 125^\circ\text{C}$		50		$T_A = 125^\circ\text{C}$		nA
$V_{ICR}$ Common-mode input voltage range	$T_A = 25^\circ\text{C}$	$\pm 11$	$\pm 12$ to 15	$\pm 11$	$\pm 12$ to 15			V
$V_{OM}$ Maximum peak output voltage swing	$T_A = 25^\circ\text{C}$ , $R_L = 10 \text{ k}\Omega$	$\pm 12$	$\pm 13.5$	$\pm 12$	$\pm 13.5$			V
	$T_A = -55^\circ\text{C to } 125^\circ\text{C}$ , $R_L \geq 10 \text{ k}\Omega$	$\pm 12$		$\pm 12$				
	$T_A = -55^\circ\text{C to } 125^\circ\text{C}$ , $R_L \geq 2 \text{ k}\Omega$	$\pm 10$	$\pm 12$	$\pm 10$	$\pm 12$			
$A_{VD}$ Large-signal differential voltage amplification	$V_O = \pm 10$ V, $T_A = 25^\circ\text{C}$ , $R_L \geq 2 \text{ k}\Omega$	25	200	25	200			V/mV
	$V_O = \pm 10$ V, $T_A = -55^\circ\text{C to } 125^\circ\text{C}$ , $R_L \geq 2 \text{ k}\Omega$	15		15				
$B_1$ Unity-gain bandwidth	$T_A = 25^\circ\text{C}$	3			3			MHz
$r_i$ Input resistance	$T_A = 25^\circ\text{C}$	$10^{12}$			$10^{12}$			$\Omega$
CMRR Common-mode rejection ratio	$V_{IC} = V_{ICR \text{ min}}$ , $R_S = 50 \Omega$ , $V_O = 0$ , $T_A = 25^\circ\text{C}$	80	86	80	86			dB
$k_{SVR}$ Supply voltage rejection ratio ( $\Delta V_{CC\pm}/\Delta V_{IO}$ )	$V_{CC} = \pm 15$ V to $\pm 9$ V, $R_S = 50 \Omega$ , $V_O = 0$ , $T_A = 25^\circ\text{C}$	80	86	80	86			dB
$I_{CC}$ Supply current (per amplifier)	No load, $V_O = 0$ , $T_A = 25^\circ\text{C}$	1.4	2.8	1.4	2.8			mA
$V_{O1}/V_{O2}$ Crosstalk attenuation	$A_{VD} = 100$ , $T_A = 25^\circ\text{C}$	120			120			dB

† All characteristics are measured under open-loop conditions with zero common-mode input voltage unless otherwise specified.

‡ Input bias currents of a FET-input operational amplifier are normal junction reverse currents, which are temperature sensitive as shown in Figure 18. Pulse techniques must be used that will maintain the junction temperatures as close to the ambient temperature as is possible.

## operating characteristics, $V_{CC\pm} = \pm 15$ V, $T_A = 25^\circ\text{C}$ (unless otherwise noted)

PARAMETER	TEST CONDITIONS	MIN	TYP	MAX	UNIT
SR Slew rate at unity gain	$V_I = 10$ V, $R_L = 2 \text{ k}\Omega$ , $C_L = 100 \text{ pF}$ , See Figure 1	8*	13		V/ $\mu\text{s}$
	$V_I = 10$ V, $R_L = 2 \text{ k}\Omega$ , $T_A = -55^\circ\text{C to } 125^\circ\text{C}$ , $C_L = 100 \text{ pF}$ , See Figure 1	5*			
$t_r$ Rise time	$V_I = 20$ mV, $R_L = 2 \text{ k}\Omega$ , $C_L = 100 \text{ pF}$ , See Figure 1		0.05		$\mu\text{s}$
Overshoot factor			20%		
$V_n$ Equivalent input noise voltage	$R_S = 100 \Omega$	$f = 1 \text{ kHz}$		18	nV/Hz
		$f = 10 \text{ Hz to } 10 \text{ kHz}$		4	$\mu\text{V}$
$I_n$ Equivalent input noise current	$R_S = 100 \Omega$ , $f = 1 \text{ kHz}$	0.01			pA/Hz
THD Total harmonic distortion	$V_{O(\text{rms})} = 10$ V, $R_S \leq 1 \text{ k}\Omega$ , $f = 1 \text{ kHz}$ , $R_L \geq 2 \text{ k}\Omega$	0.003%			

\*On products compliant to MIL-STD-883, Class B, this parameter is not production tested.





**TL080, TL081, TL084, TL081A, TL082A, TL084A**  
**TL081B, TL082B, TL084B**  
**JFET-INPUT OPERATIONAL AMPLIFIERS**  
 SLOS081A-D2297, FEBRUARY 1977-REVISED NOVEMBER 1992

**TL082Y, TL084Y electrical characteristics,  $V_{CC\pm} = \pm 15\text{ V}$  (unless otherwise noted)**

PARAMETER		TEST CONDITIONS†	MIN	TYP	MAX	UNIT
$V_{IO}$	Input offset voltage	$V_O = 0$ , $R_S = 50\ \Omega$ , $T_A = 25^\circ\text{C}$		3	15	mV
$\alpha V_{IO}$	Temperature coefficient of input offset voltage	$V_O = 0$ , $R_S = 50\ \Omega$ , $T_A = 25^\circ\text{C}$		18		$\mu\text{V}/^\circ\text{C}$
$I_{IO}$	Input offset current‡	$V_O = 0$ , $T_A = 25^\circ\text{C}$		5	200	pA
$I_{IB}$	Input bias current‡	$V_O = 0$ , $T_A = 25^\circ\text{C}$		30	400	pA
$V_{ICR}$	Common-mode input voltage range	$T_A = 25^\circ\text{C}$	$\pm 11$	-12 to 15		V
$V_{OM}$	Maximum peak output voltage swing	$T_A = 25^\circ\text{C}$ , $R_L = 10\ \text{k}\Omega$	$\pm 12$	$\pm 13.5$		V
$A_{VD}$	Large-signal differential voltage amplification	$V_O = \pm 10\ \text{V}$ , $T_A = 25^\circ\text{C}$ , $R_L \geq 2\ \text{k}\Omega$	25	200		V/mV
$B_1$	Unity-gain bandwidth	$T_A = 25^\circ\text{C}$		3		MHz
$\eta$	Input resistance	$T_A = 25^\circ\text{C}$		$10^{12}$		$\Omega$
CMRR	Common-mode rejection ratio	$V_{IC} = V_{ICR}\ \text{min}$ , $R_S = 50\ \Omega$ , $V_O = 0$ , $T_A = 25^\circ\text{C}$	70	86		dB
kSVR	Supply voltage rejection ratio ( $\Delta V_{CC\pm} / \Delta V_{IO}$ )	$V_{CC} = \pm 15\ \text{V}$ to $\pm 9\ \text{V}$ , $R_S = 50\ \Omega$ , $V_O = 0$ , $T_A = 25^\circ\text{C}$	70	86		dB
$I_{CC}$	Supply current (per amplifier)	No load, $V_O = 0$ , $T_A = 25^\circ\text{C}$		1.4	2.8	mA
$V_{O1}/V_{O2}$	Crosstalk attenuation	$A_{VD} = 100$ , $T_A = 25^\circ\text{C}$		120		dB

† All characteristics are measured under open-loop conditions with zero common-mode voltage unless otherwise specified.

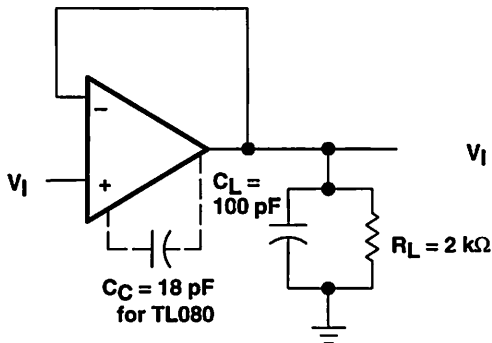
‡ Input bias currents of a FET-input operational amplifier are normal junction reverse currents, which are temperature sensitive as shown in Figure 18. Pulse techniques must be used that will maintain the junction temperature as close to the ambient temperature as possible.

**operating characteristics,  $V_{CC\pm} = \pm 15\ \text{V}$ ,  $T_A = 25^\circ\text{C}$  (unless otherwise noted)**

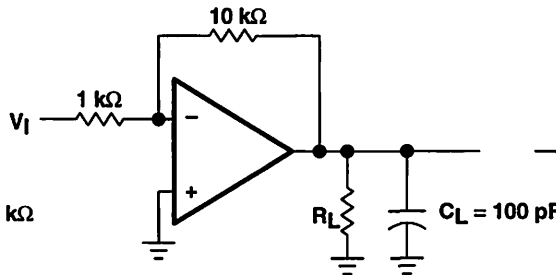
PARAMETER		TEST CONDITIONS	MIN	TYP	MAX	UNIT
SR	Slew rate at unity gain	$V_I = 10\ \text{V}$ , $R_L = 2\ \text{k}\Omega$ , $C_L = 100\ \text{pF}$ , See Figure 1	8	13		V/ $\mu\text{s}$
$t_r$	Rise time	$V_I = 20\ \text{mV}$ , $R_L = 2\ \text{k}\Omega$ , $C_L = 100\ \text{pF}$ , See Figure 1		0.05		$\mu\text{s}$
	Overshoot factor	$C_L = 100\ \text{pF}$ , See Figure 1		20%		
$V_n$	Equivalent input noise voltage	$R_S = 100\ \Omega$		18		nV/ $\sqrt{\text{Hz}}$
		$f = 1\ \text{kHz}$		4		$\mu\text{V}$
		$f = 10\ \text{Hz}$ to $10\ \text{kHz}$				
$I_n$	Equivalent input noise current	$R_S = 100\ \Omega$ , $f = 1\ \text{kHz}$		0.01		pA/ $\sqrt{\text{Hz}}$
THD	Total harmonic distortion	$V_{O(\text{rms})} = 10\ \text{V}$ , $R_S \leq 1\ \text{k}\Omega$ , $R_L \geq 2\ \text{k}\Omega$ , $f = 1\ \text{kHz}$		0.003%		



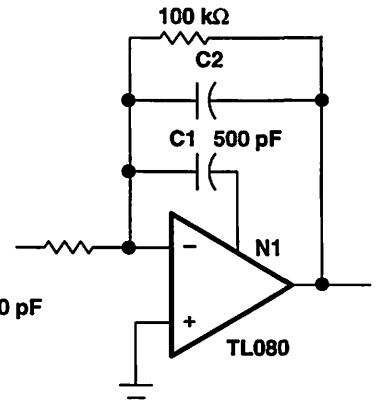
**PARAMETER MEASUREMENT INFORMATION**



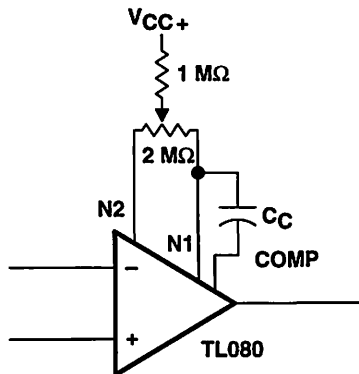
**Figure 1. Unity-Gain Amplifier**



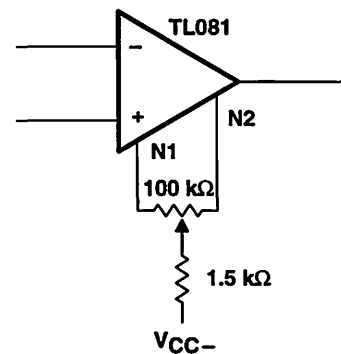
**Figure 2. Gain-of-10 Inverting Amplifier**



**Figure 3. Feed-Forward Compensation**

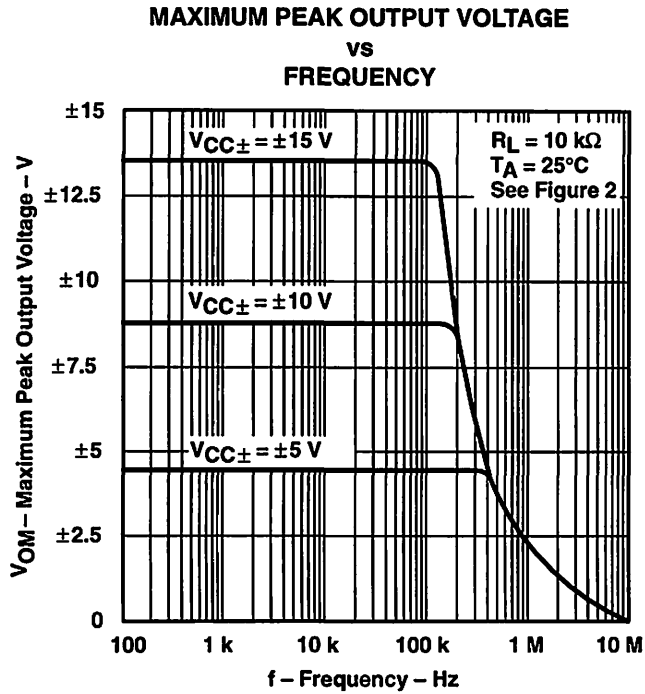


**Figure 4. TL080 Input Offset Voltage Null Circuit**

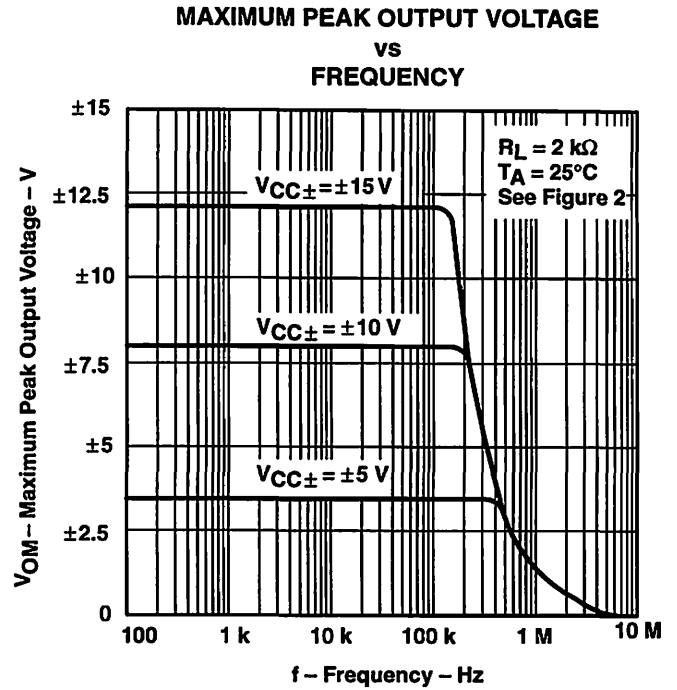


**Figure 5. TL081 Input Offset Voltage Null Circuit**

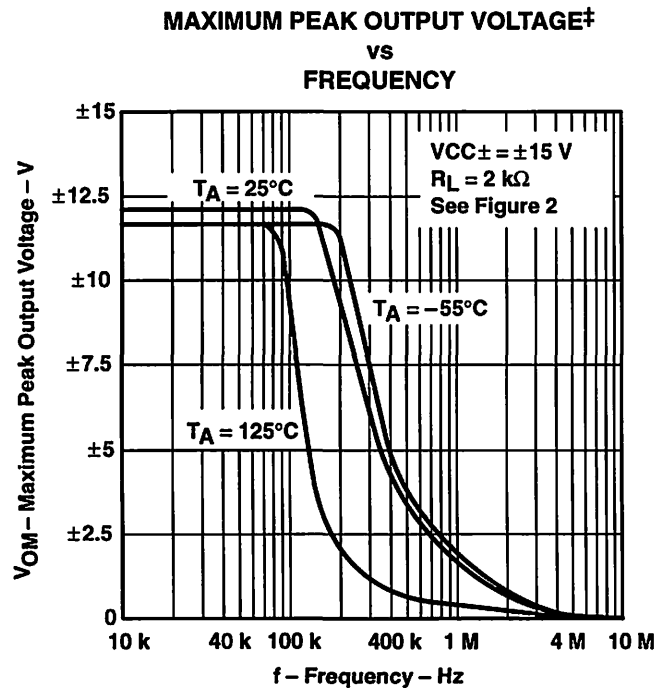
**TYPICAL CHARACTERISTICS†**



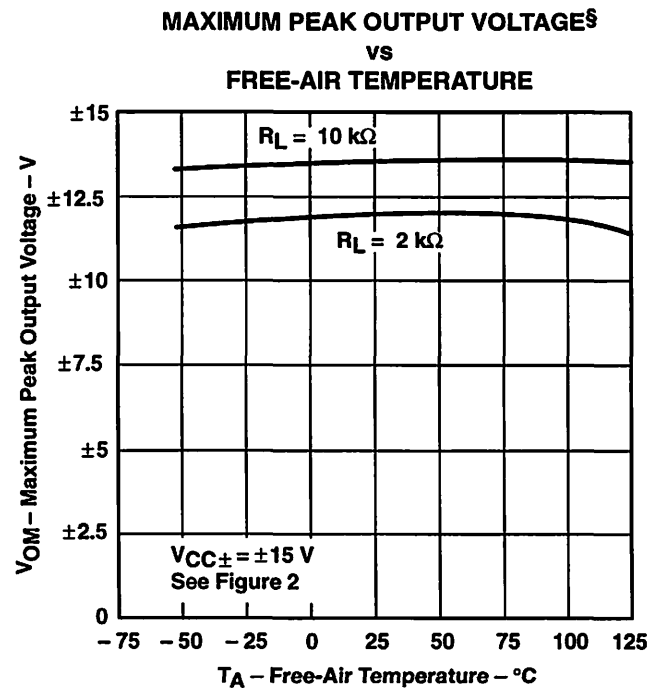
**Figure 6**



**Figure 7**



**Figure 8**



**Figure 9**

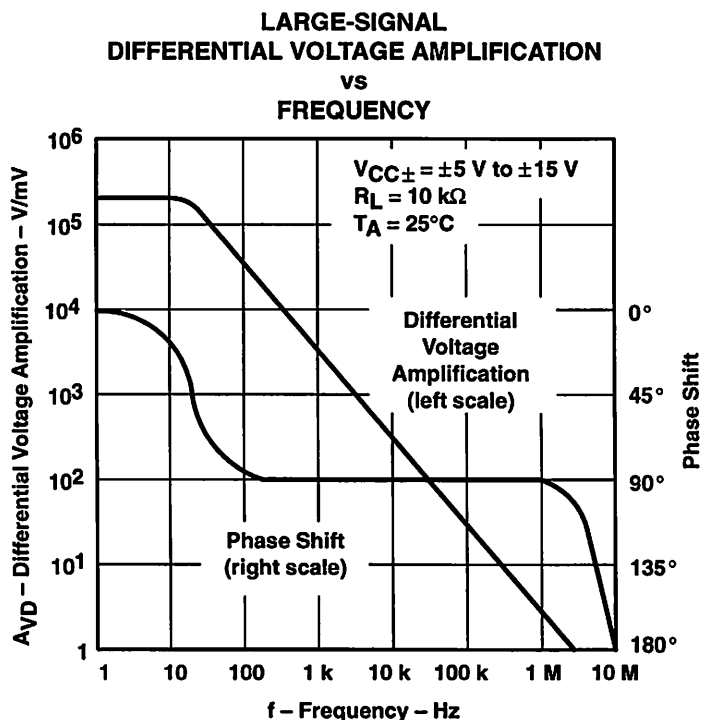
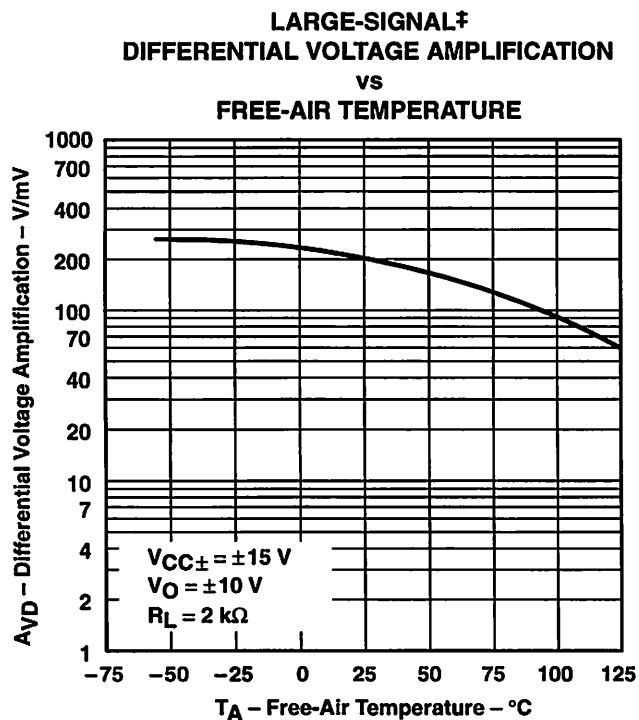
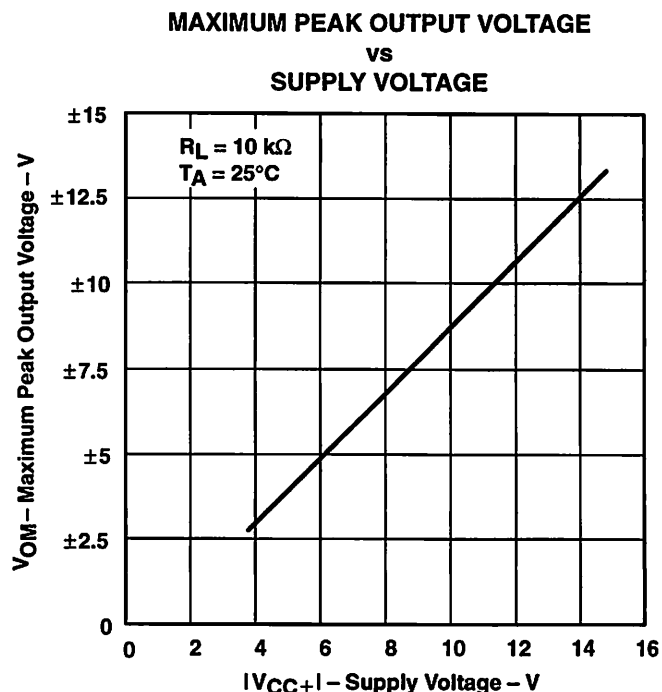
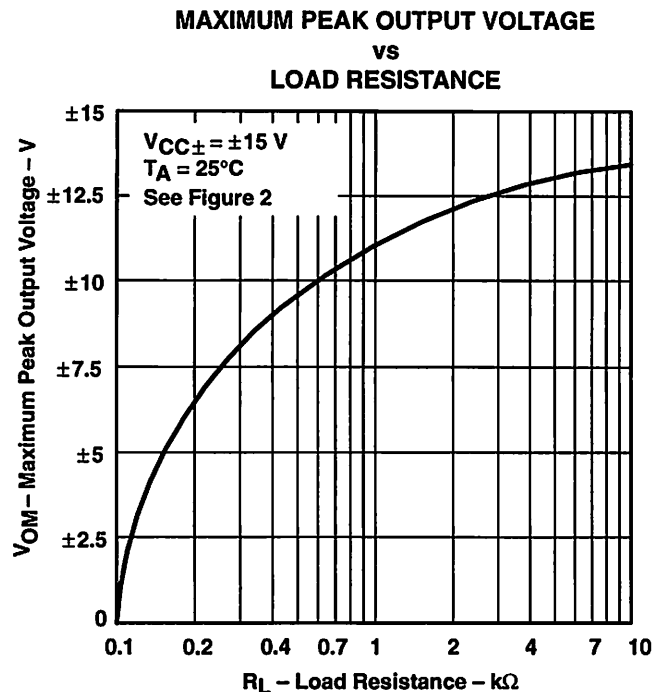
† Data at high and low temperatures are applicable only within the rated operating free-air temperature ranges of the various devices. A 12-pF compensation capacitor is used with TL080.

‡ The  $-55^\circ\text{C}$  curve and the  $125^\circ\text{C}$  curve apply only to the M version.

§ The temperature range of the C version is  $0^\circ\text{C}$  to  $75^\circ\text{C}$ , the I version is  $-40^\circ\text{C}$  to  $85^\circ\text{C}$ , and the M version is  $-55^\circ\text{C}$  to  $125^\circ\text{C}$ .

**TL080, TL081, TL082, TL084, TL081A, TL082A, TL084A  
TL081B, TL082B, TL084B  
JFET-INPUT OPERATIONAL AMPLIFIERS**  
SLOS081A-D2297, FEBRUARY 1977-REVISED NOVEMBER 1992

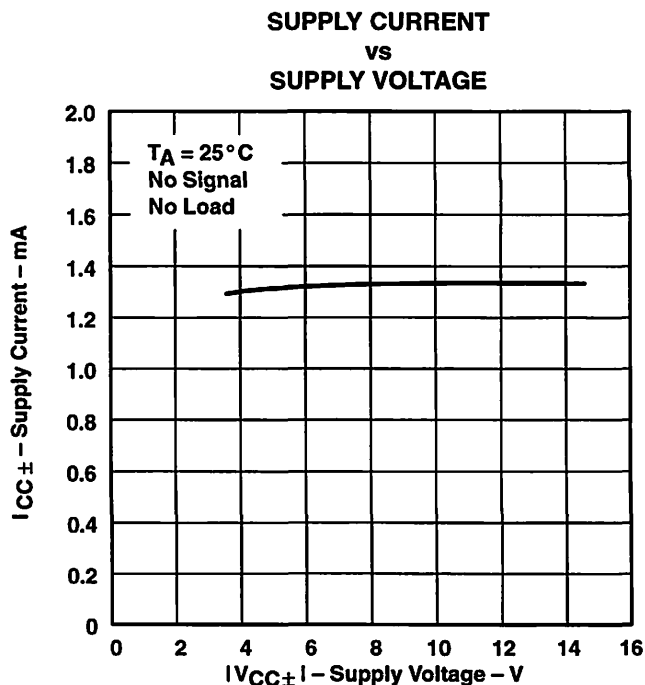
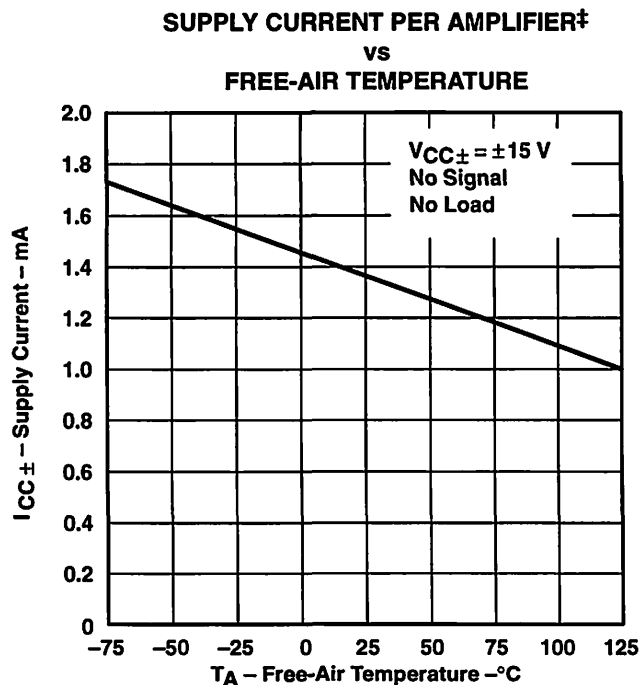
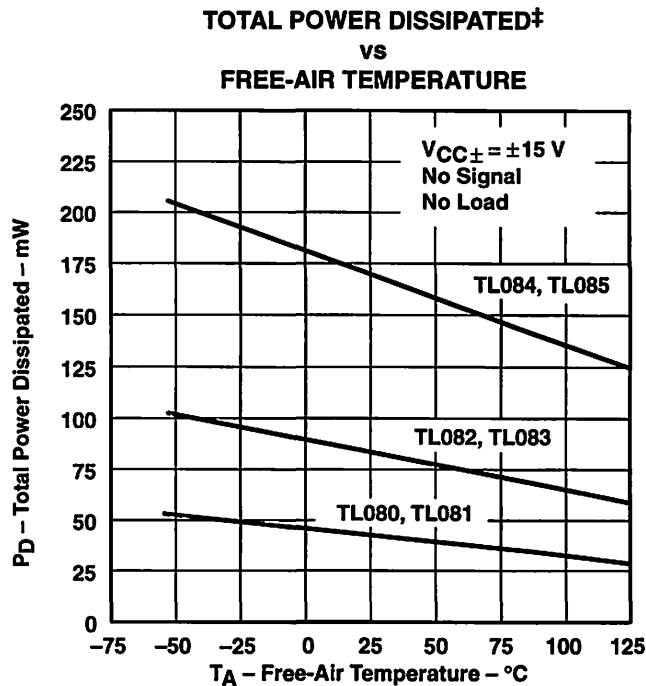
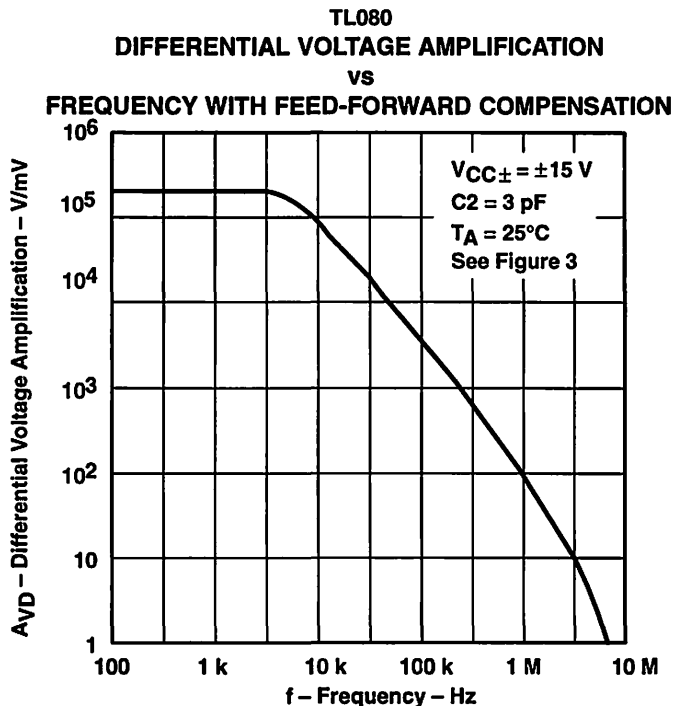
**TYPICAL CHARACTERISTICS†**



† Data at high and low temperatures are applicable only within the rated operating free-air temperature ranges of the various devices. A 12-pF compensation capacitor is used with TL080.

‡ The temperature range of the C version is 0°C to 75°C, the I version is -40°C to 85°C, and the M version is -55°C to 125°C.

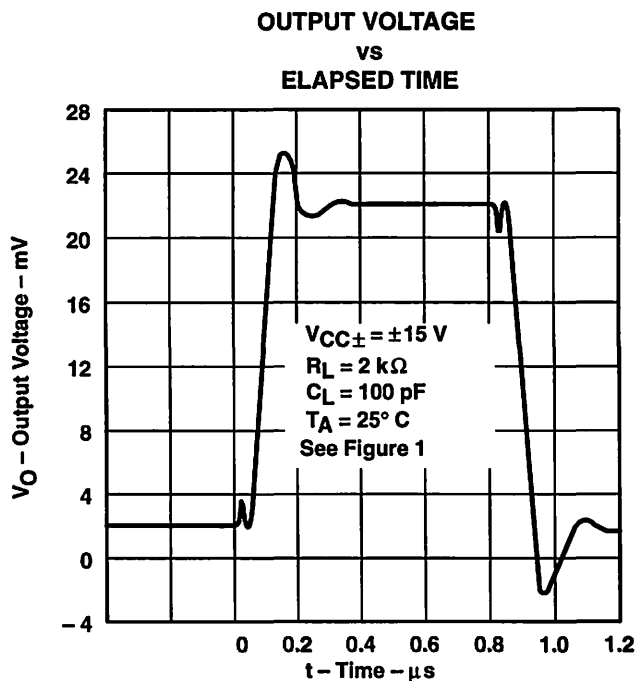
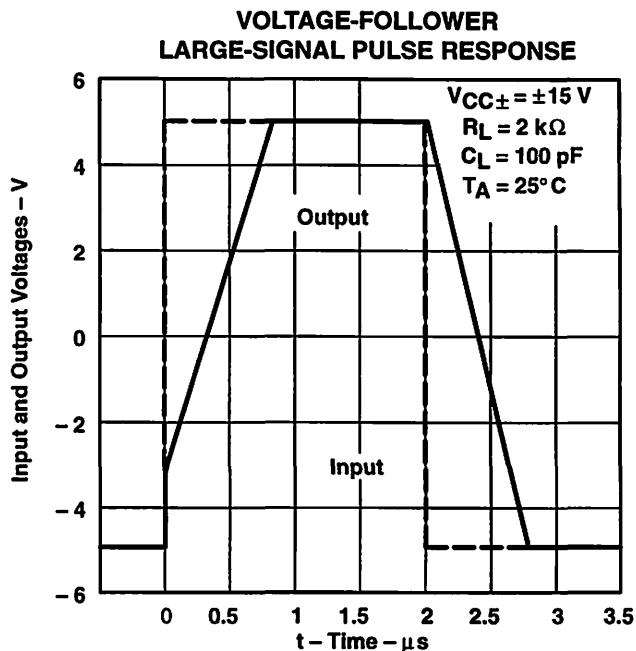
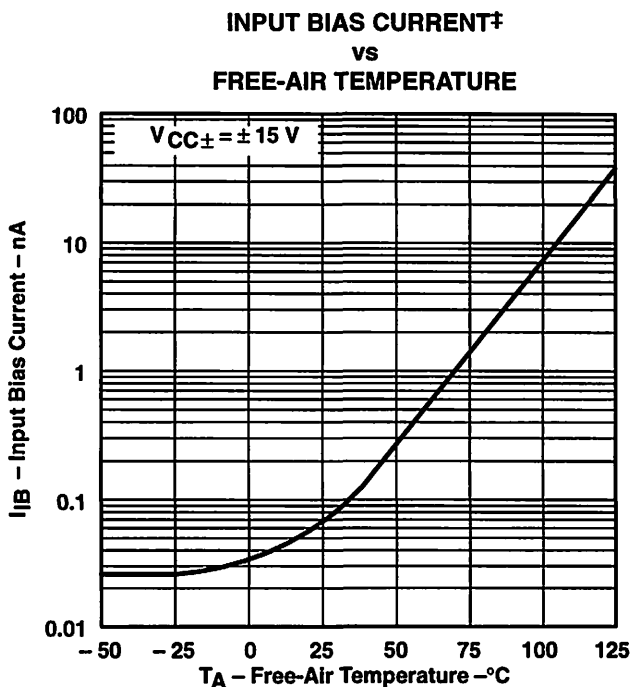
**TYPICAL CHARACTERISTICS†**



† Data at high and low temperatures are applicable only within the rated operating free-air temperature ranges of the various devices. A 12-pF compensation capacitor is used with TL080.

‡ The temperature range of the C version is 0°C to 75°C, the I version is -40°C to 85°C, and the M version is -55°C to 125°C.

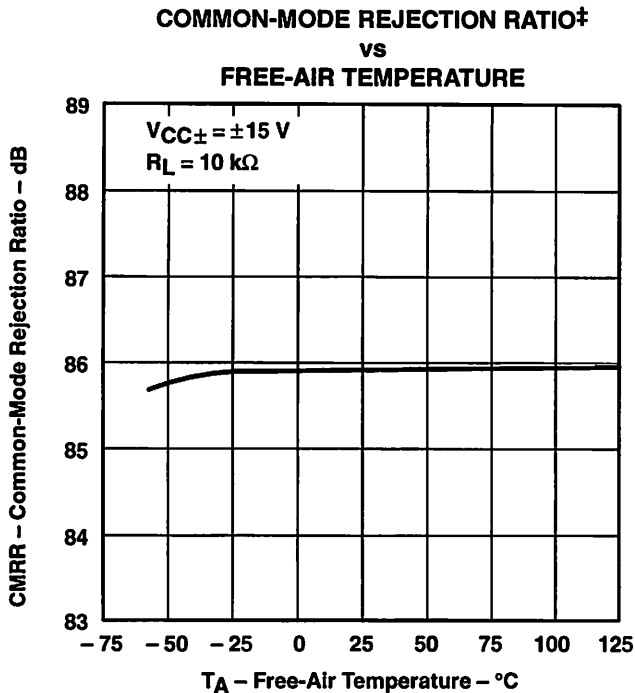
**TYPICAL CHARACTERISTICS†**



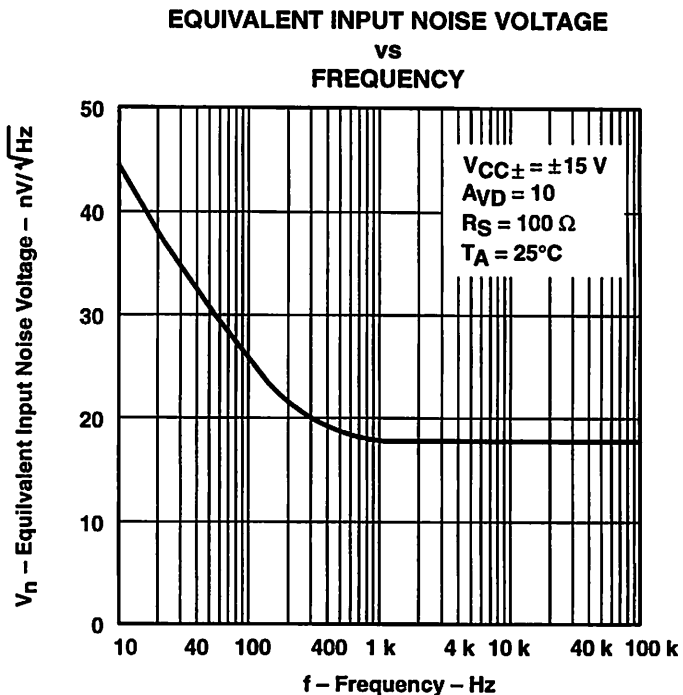
† Data at high and low temperatures are applicable only within the rated operating free-air temperature ranges of the various devices. A 12-pF compensation capacitor is used with TL080.

‡ The temperature range of the C version is 0°C to 75°C, the I version is -40°C to 85°C, and the M version is -55°C to 125°C.

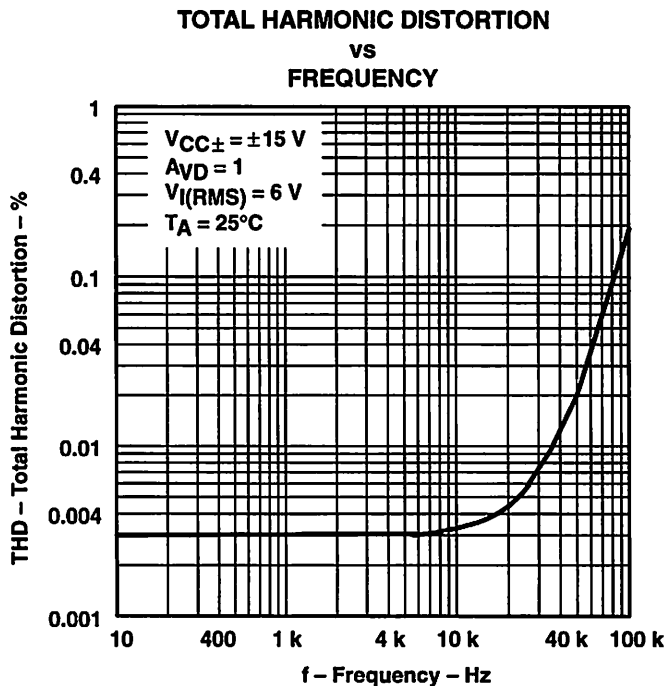
**TYPICAL CHARACTERISTICS†**



**Figure 21**



**Figure 22**

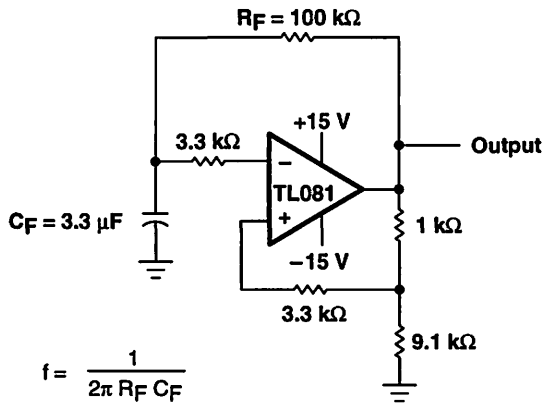


**Figure 23**

† Data at high and low temperatures are applicable only within the rated operating free-air temperature ranges of the various devices. A 12-pF compensation capacitor is used with TL080.

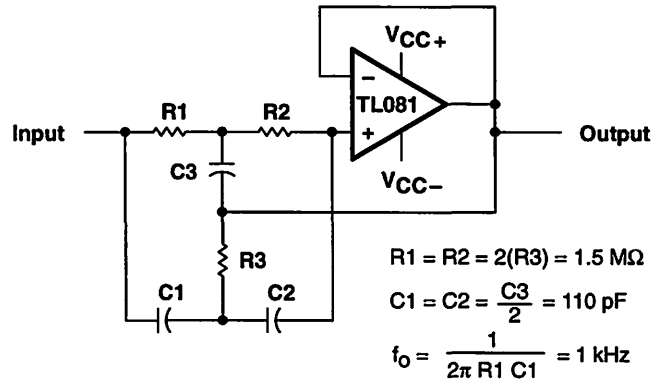
‡ The temperature range of the C version is 0°C to 75°C, the I version is -40°C to 85°C, and the M version is -55°C to 125°C.

TYPICAL APPLICATION DATA



$$f = \frac{1}{2\pi R_F C_F}$$

Figure 24. 0.5-Hz Square-Wave Oscillator



$$R_1 = R_2 = 2(R_3) = 1.5 \text{ M}\Omega$$

$$C_1 = C_2 = \frac{C_3}{2} = 110 \text{ pF}$$

$$f_o = \frac{1}{2\pi R_1 C_1} = 1 \text{ kHz}$$

Figure 25. High-Q Notch Filter

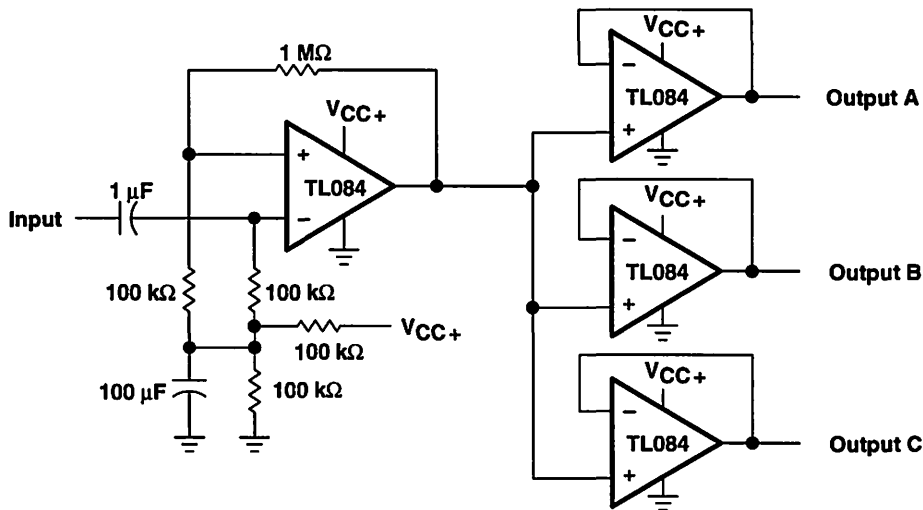
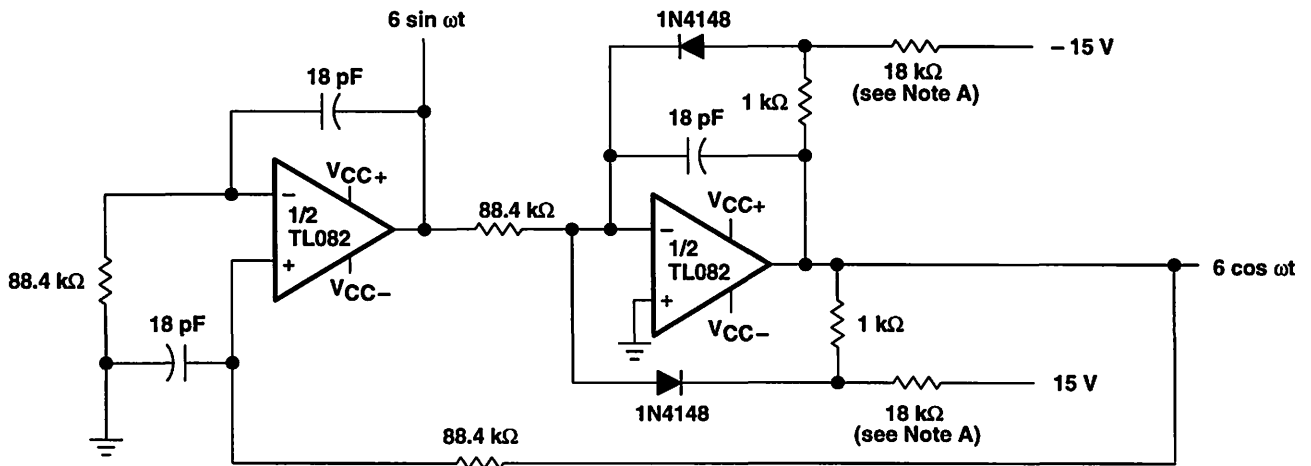


Figure 26. Audio Distribution Amplifier

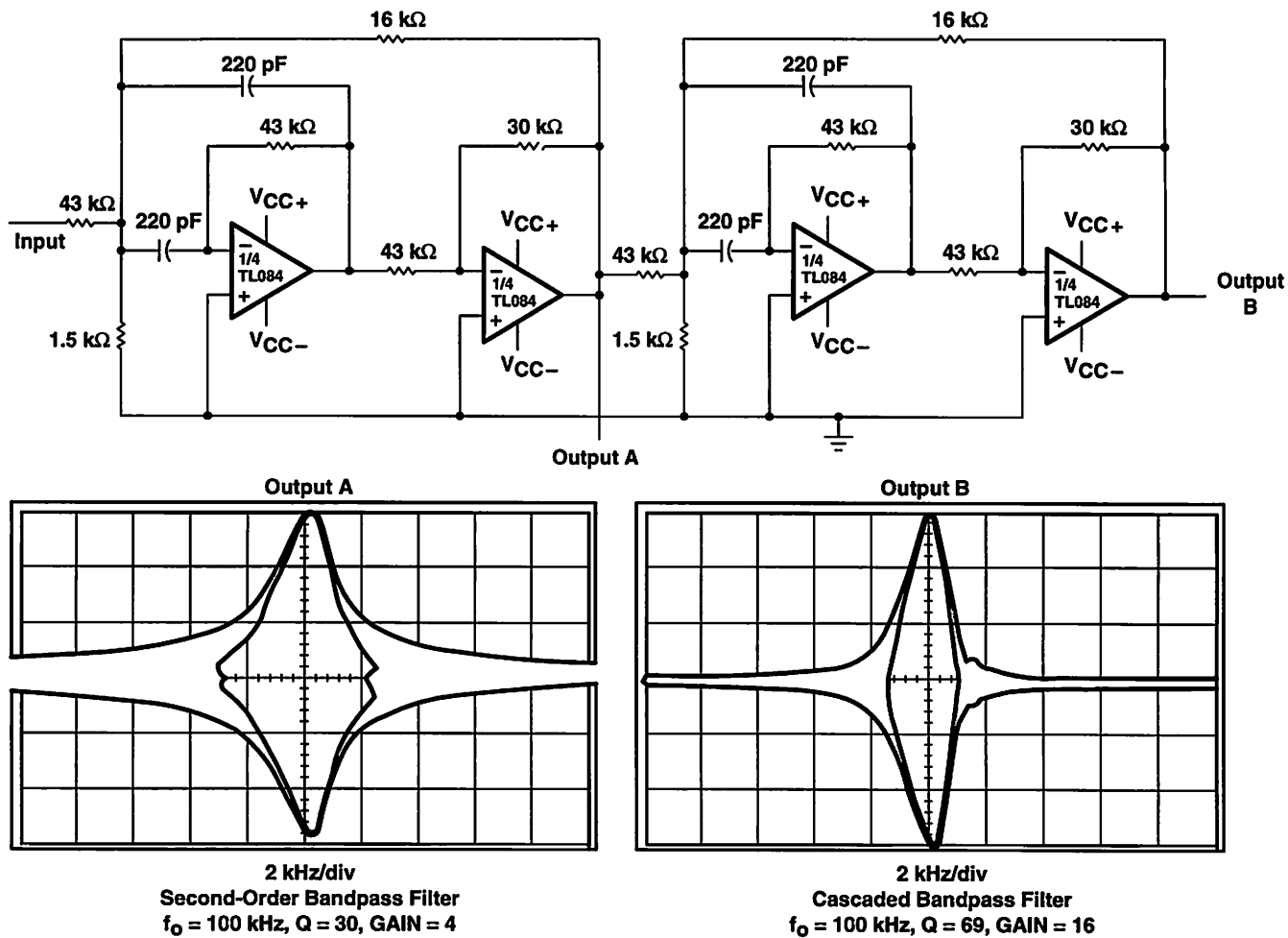


NOTE A: These resistor values may be adjusted for a symmetrical output.

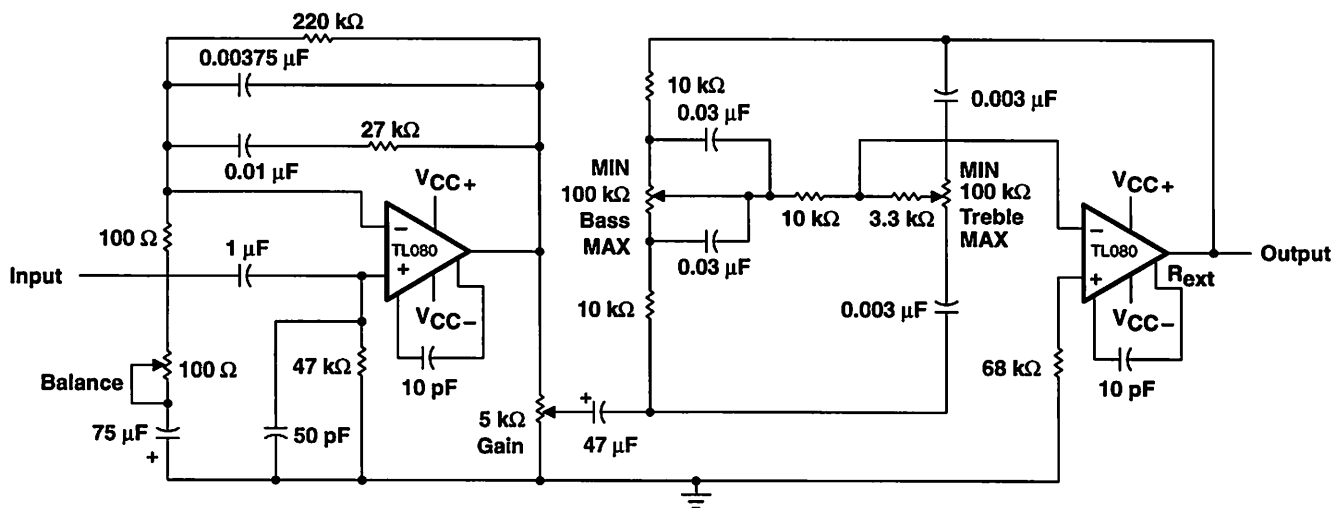
Figure 27. 100-KHz Quadrature Oscillator



**TYPICAL APPLICATION DATA**



**Figure 28. Positive-Feedback Bandpass Filter**



**Figure 29. IC Preamplifier**