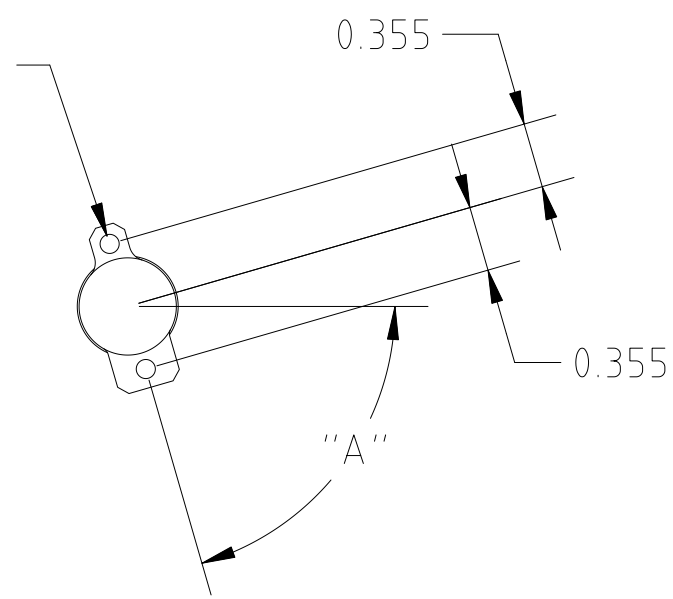


FIDUCIAL LIGHT ORIENTATION	
FIDUCIAL LIGHT NO.	"A" CLK (DEG)
ACIS 1	145.63°
ACIS 2	-147.82°
ACIS 3	180.00°
ACIS 4	73.88°
ACIS 5	-71.74°
ACIS 6	15.88°

REVISIONS					
REV.	ECO NO.	DESCRIPTION	CHECKED	APPROVED	DATE
A	36-301	INITIAL RELEASE			

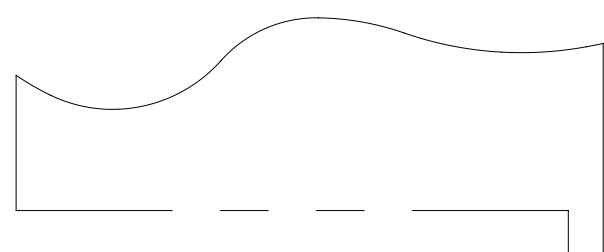
2X #2-56 UNC-2B

⊕ φ.010 A B C



DETAIL A 1

6X  
(SEE TABLE FOR ANGULAR ORIENTATION)

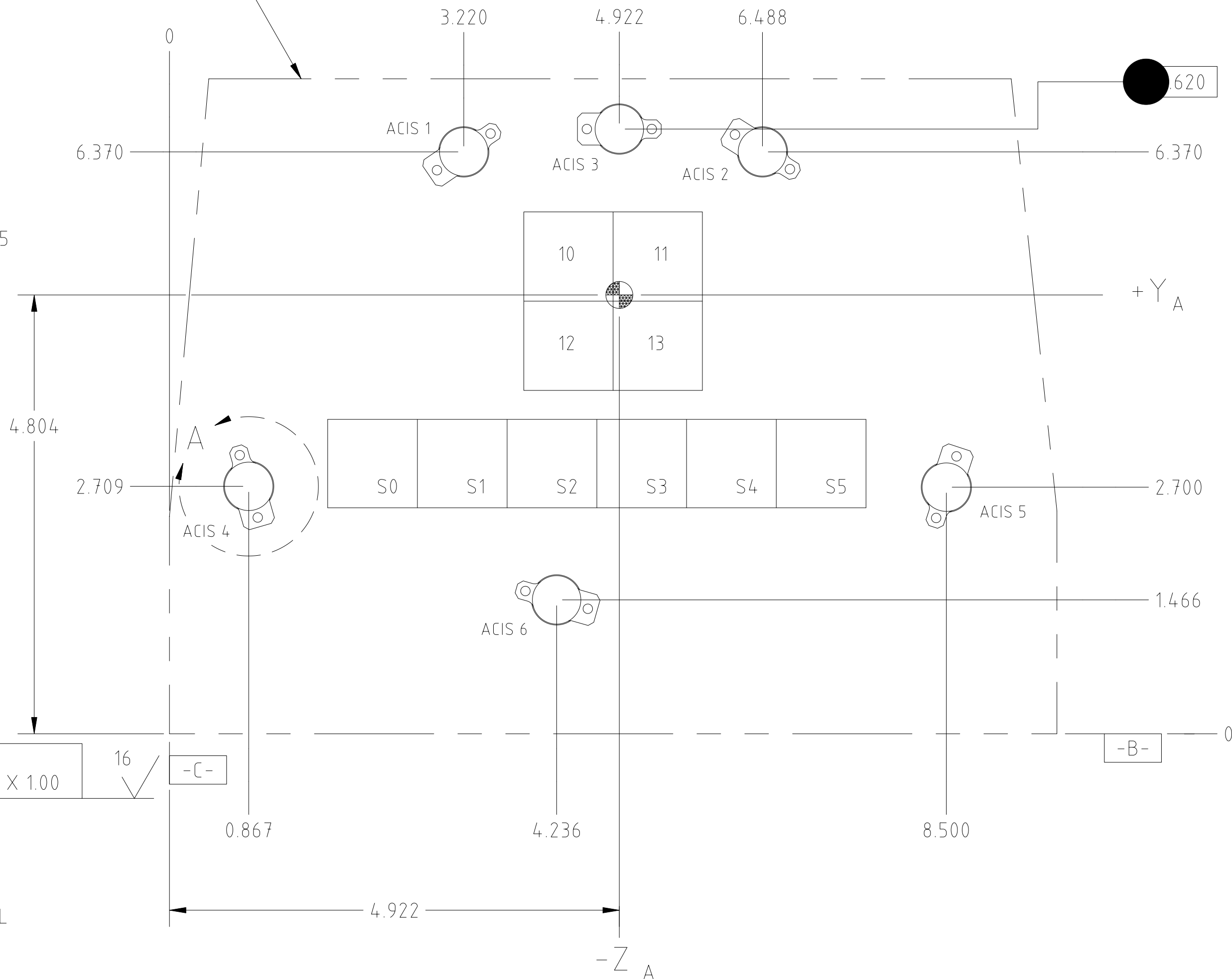


⏏ .0005  
⏏ .0001/1.00 X 1.00  
-A- 16

NOTES:

1. LOCATION OF THE MOUNTING PLANE OF THE FIDUCIAL LIGHT ALONG THE X AXIS SHALL BE 1.000±M.010 INCHES FORWARD OF THE ACIS FOCAL PLANE.

CAMERA BODY



		UNLESS OTHERWISE SPECIFIED DIMENSIONS ARE IN INCHES TOLERANCE: ANGLES ± 1° 3 PLACE DECIMALS ± .005 2 PLACE DECIMALS ± .01	NAME	DATE	MASSACHUSETTS INSTITUTE OF TECHNOLOGY CENTER FOR SPACE RESEARCH CAMBRIDGE, MA 02139		
			DRAWN	H.C. WEST	6/12/95	FID LIGHT MOUNTING ICD	
		MATERIAL	CHECKED	APPROVED	SIZE		
		ACIS	RELEASED		C	80230	36-02211
NEXT ASSEMBLY	USED ON	INTERPRET DIMENSIONS AND TOLERANCES IAW ANSI Y14.5M-1982	WEIGHT		SCALE	1/1	SHEET 1 OF 1
APPLICATION							