

REVISIONS

REV	ZONE	DESCRIPTION	DATE	APPROVED
		Initial Release		
		Title Sheet 1		
		Revision Sheet 1a		
		Drawing 2		

DEVELOPMENT
 -DRAFT-

DRAWN BY D. C. Larson	DEPT 3242	DATE 6/28/96	MARTIN MARIETTA CORPORATION			
CHECKER (E. Sedivy)			Denver Astronautics P O Box 179, Denver, CO 80201			
GR ENGR (Scott Anderson)			AXAF CCD Imaging Spectrometer (ACIS) Mechanical Ground Support Equipment (MGSE) Drawing Tree			
PROJECT (E. Sedivy)						
SYSTEMS (L. Campbell)						
MECHANICAL (Neil Tice)						
QUALITY (D. Perko)						
			SIZE A	FSCM NO. 04236	DRAWING NO. 849AC710024	REV 1
CONTRACT NO. SC-A-124624			SCALE		SHEET 1 of 2	

36-00112

REVIEW STATUS OF SHEETS

r

													REV
													SH
													REV
													SH
													REV
													SH
													REV
													SH
													REV
													SH
													REV
													SH
													REV
													SH
													REV
													SH
													REV
													SH
													REV
													SH
													REV
													SH
													REV
													SH
													REV
													SH
													REV
													SH
													REV
													SH
													REV
													SH
													REV
													SH
													REV
													SH
													REV
													SH
													REV
													SH
													REV
													SH
													REV
													SH
													REV
													SH
													REV
													SH
													REV
													SH
													REV
													SH
													REV
													SH
													REV
													SH
													REV
													SH
													REV
													SH
													REV
													SH
													REV
													SH
													REV
													SH
													REV
													SH
													REV
													SH
													REV
													SH
													REV
													SH
													REV
													SH
													REV
													SH
													REV
													SH
													REV
													SH
													REV
													SH
													REV
													SH
													REV
													SH
													REV
													SH
													REV
													SH
													REV
													SH
													REV
													SH
													REV
													SH
													REV
													SH
													REV
													SH
													REV
													SH
													REV
													SH
													REV
													SH
													REV
													SH
													REV
													SH
													REV
													SH
													REV
													SH
													REV
													SH
													REV
													SH
													REV
													SH
													REV
													SH
													REV
													SH
													REV
													SH
													REV
													SH
													REV
													SH
													REV
													SH
													REV
													SH
													REV
													SH
													REV
													SH
													REV
													SH
													REV
													SH
													REV
													SH
													REV
													SH
													REV
													SH
													REV
													SH
													REV
													SH
													REV
													SH
													REV
													SH
													REV
													SH
													REV
													SH
													REV
													SH
													REV
													SH
													REV
													SH
													REV
													SH
													REV
													SH
													REV
													SH
													REV
													SH
													REV
													SH
													REV
													SH
													REV
													SH
													REV
													SH
													REV
													SH
													REV
													SH
													REV
													SH
													REV
													SH
													REV

849AC710013
MGSE, Pack &
Ship

849AC711000
Vacuum GSE,
Top Assembly

849AC712000
Spacecraft Power
Simulator,
Top Assembly

849AC713000
Test Connector
Readout, Top
Assembly

Page 2

Page 4

Page 5

849AC710016
MGSE, Equipment
Specification

849AC710019
Vacuum Flow
Diagram

849AC714000
ACIS to Lifting Fixture
& S. Bar, Assembly

849AC715000
SIM Simulator,
Assembly

849AC717000
Shipping & Handling
Containers, Top
Assembly

Page 6

Page 7

849AC710024
Mechanical Ground
Support Equipment,
Drawing Tree

849AC711000
Top Assembly,
Vacuum GSE

849AC711100
Assembly, Vacuum
Control Unit

Continued
on Page 3

849AC711001
System Schematic,
VGSE

849AC711010
Identification
Plates, GSE*

849AC711026
Detail Assembly,
GSE*

849AC711101
VCU, System
Schematic

849AC711103
VCU Misc.,
Installation

849AC711160
VCU Analog
Board Assembly

849AC711161
VCU Analog
Board Schematic

849AC711126
Details,
VCU

849AC711127
CASE
Details

849AC711170
VCU Flight Interface
Board Assy

849AC711171
Flight Board
Schematic

849AC711128
VCU Miscellaneous
Details

849AC711130
Subassembly,
VCU Equipment

849AC711180
VCU Front Panel
Display Board Assy

849AC711181
VCU Front Panel
Display Board

849AC711140
Subassembly,
VCU Vacuum Pipino

849AC711150
VCU Digital Board
Assembly

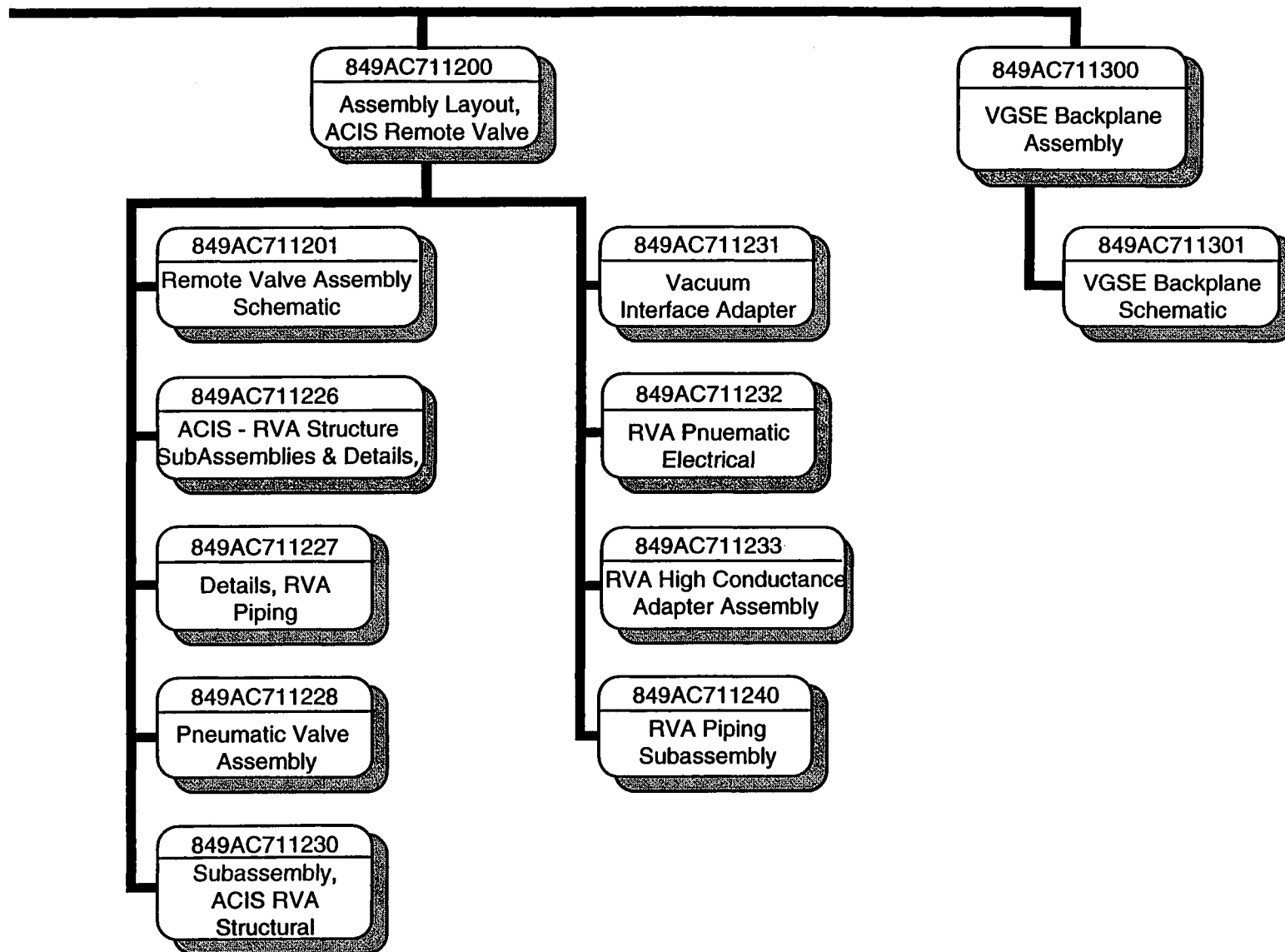
849AC711190
VCU RS232 Isolation
Board Layout

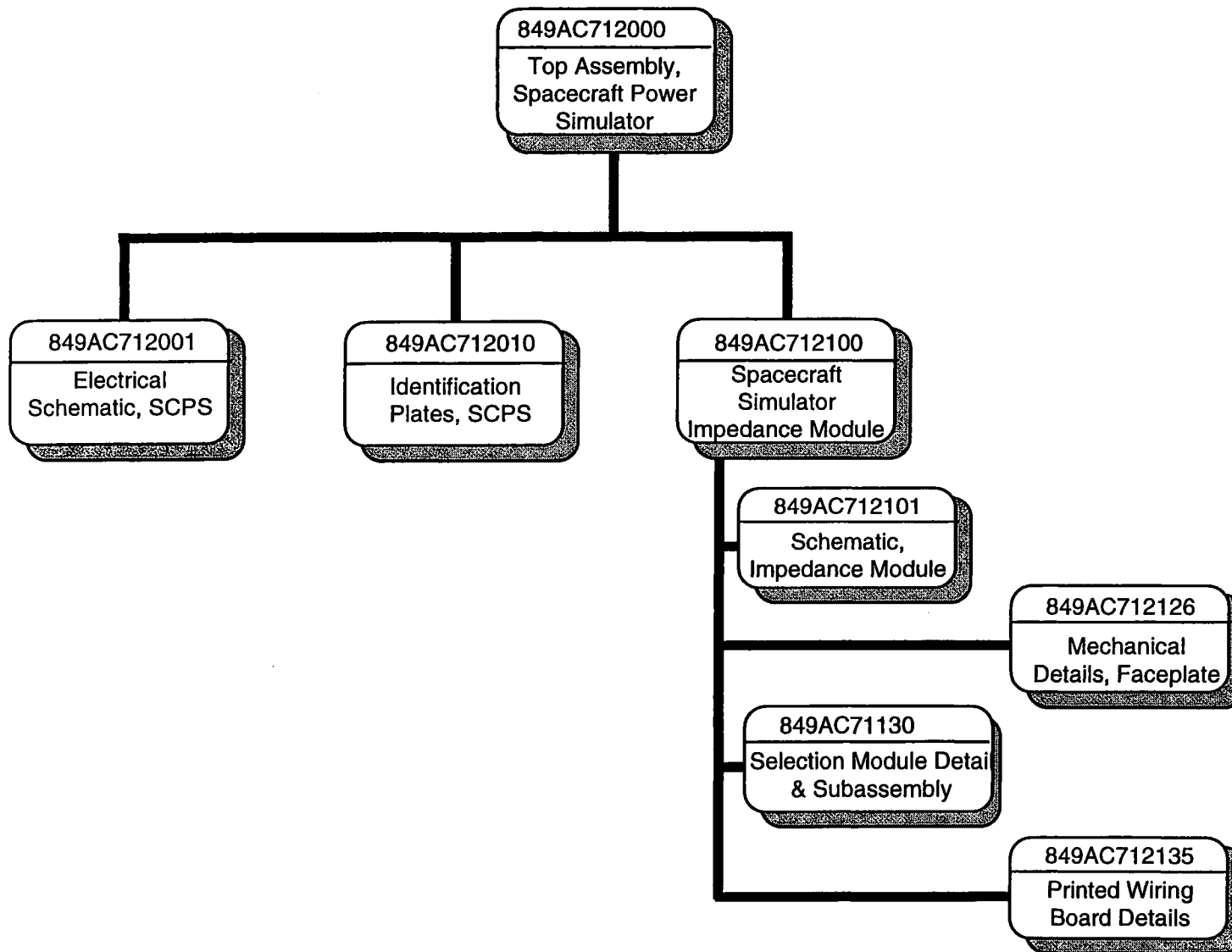
849AC711191
VCU RS232 Isolation
Board Schematic

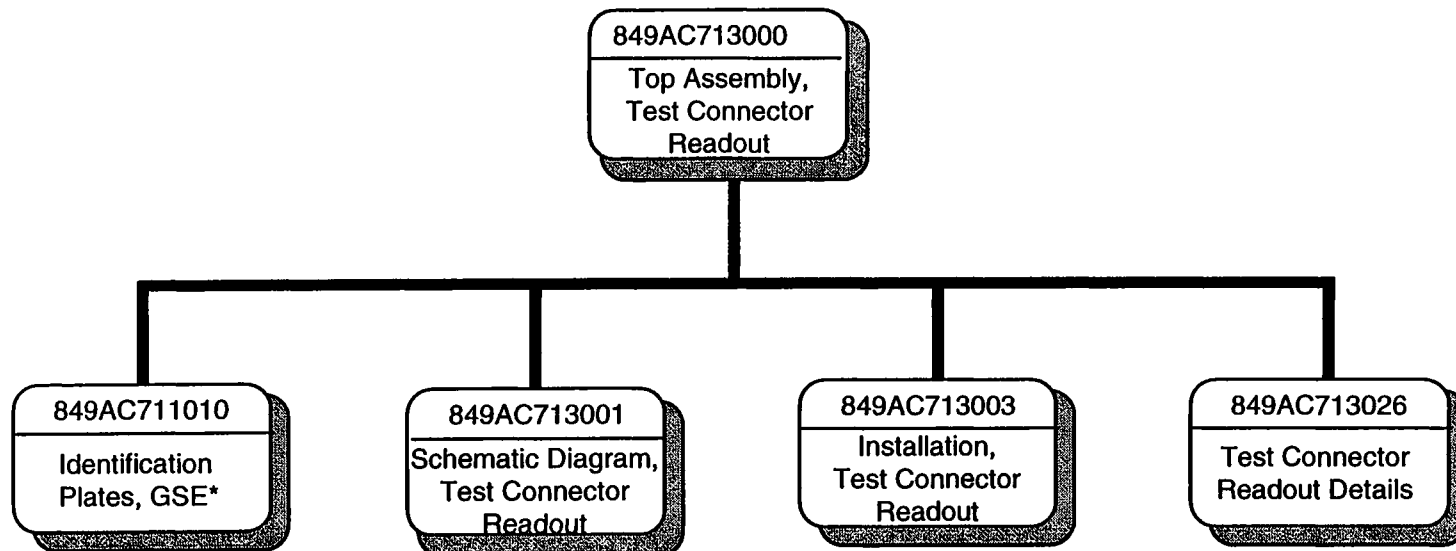
849AC711151
Digital Board

NOTES: * = Denotes Multiple Usage for Same Drawing

Continued
from Page 2







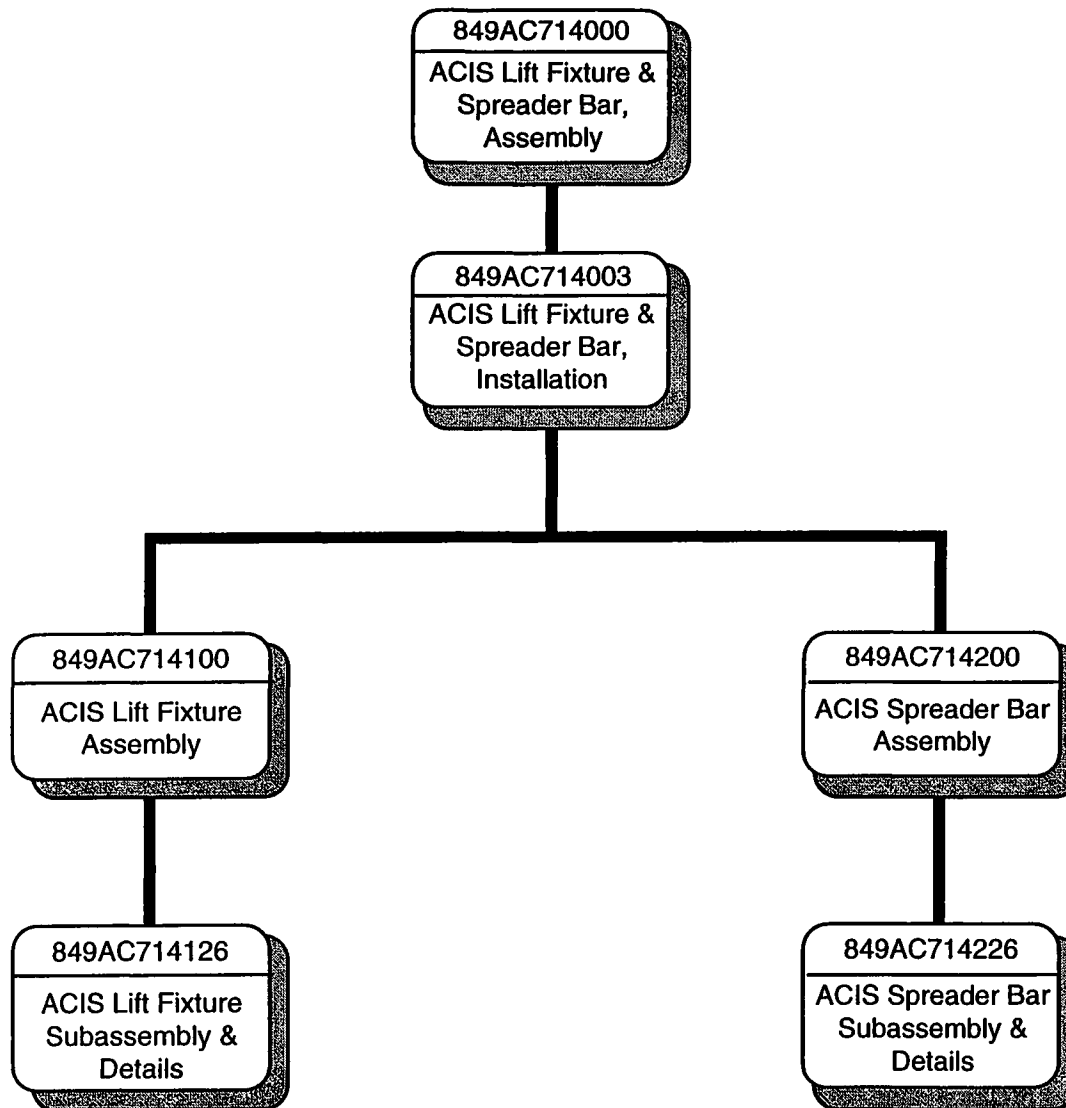
* Denotes Multiple Use of the Same Drawing

Rev. 1 - Draft 6/28/96

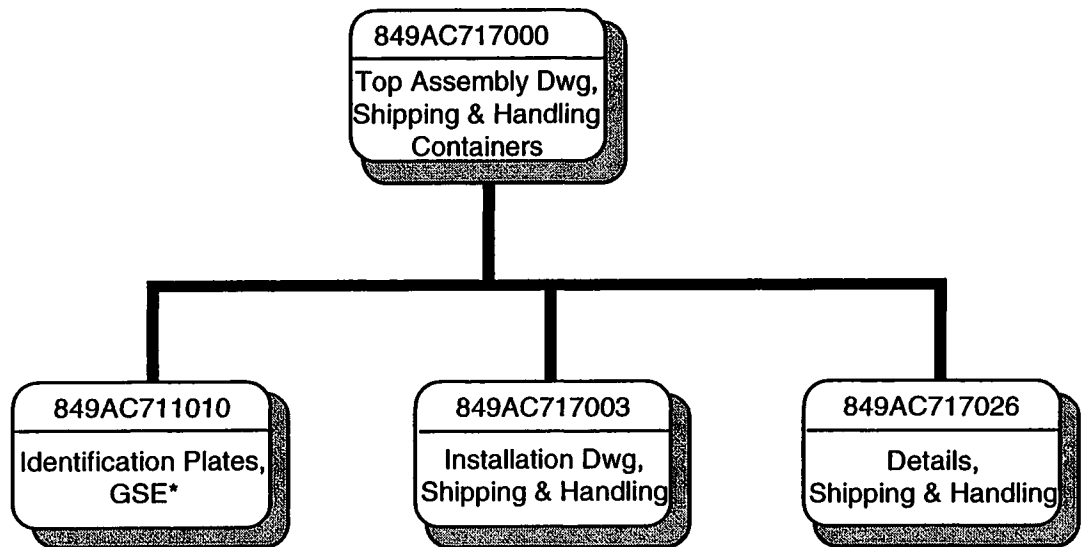
849AC710024

SHEET 2

Page 5 of 7



NOTES: * = Denotes Multiple Usage for Same Drawing



NOTES: * = Denotes Multiple Usage for Same Drawing

Rev. 1 - Draft 6/28/96

849AC710024

SHEET 2

Page 7 of 7