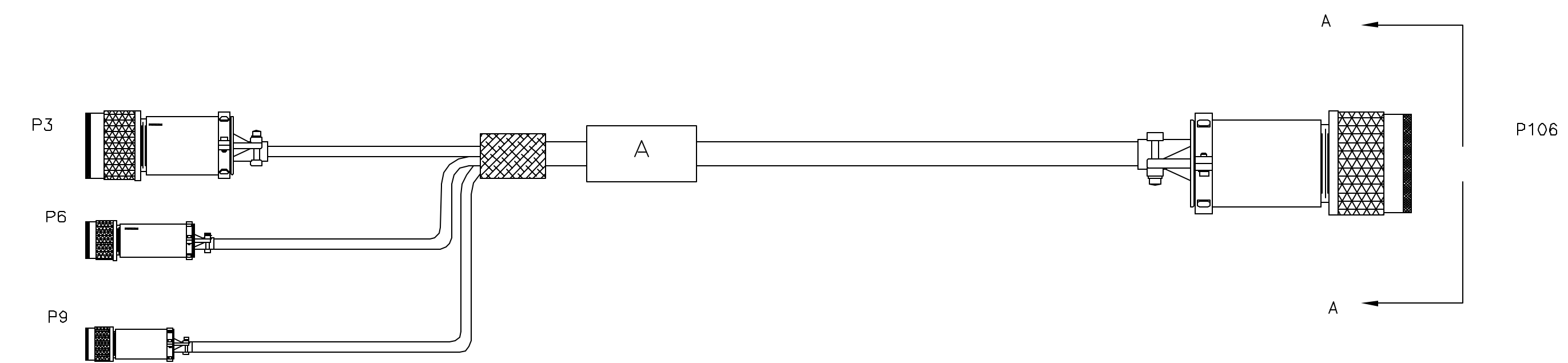
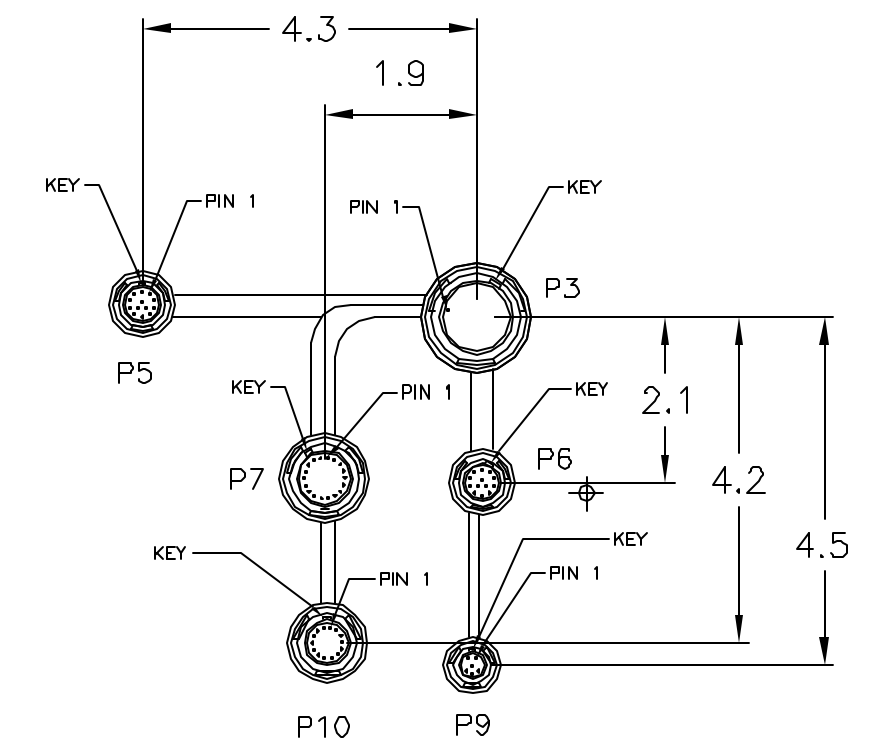
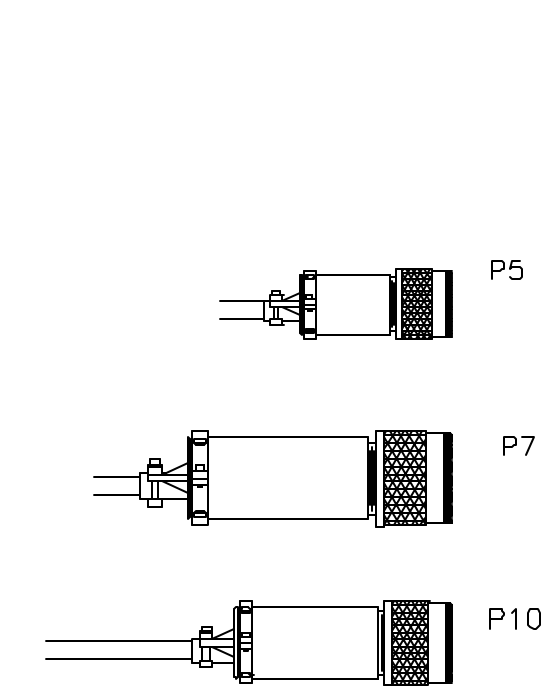
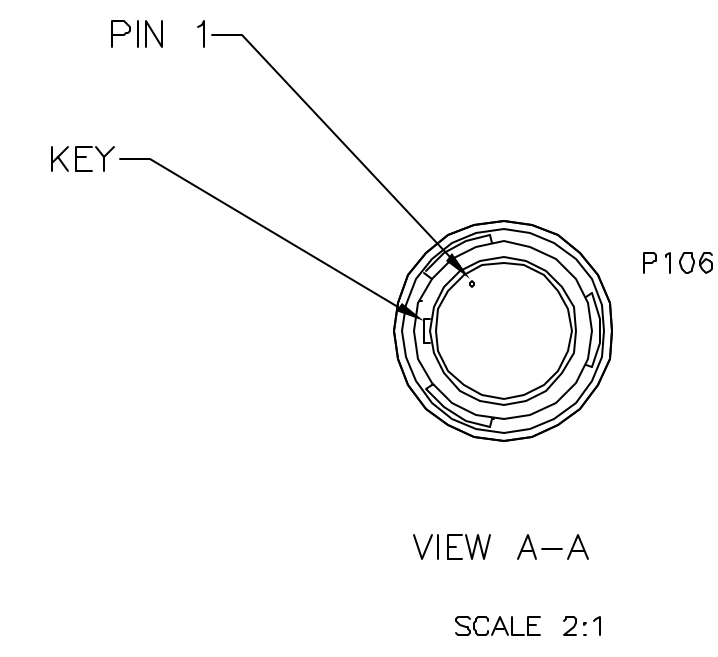
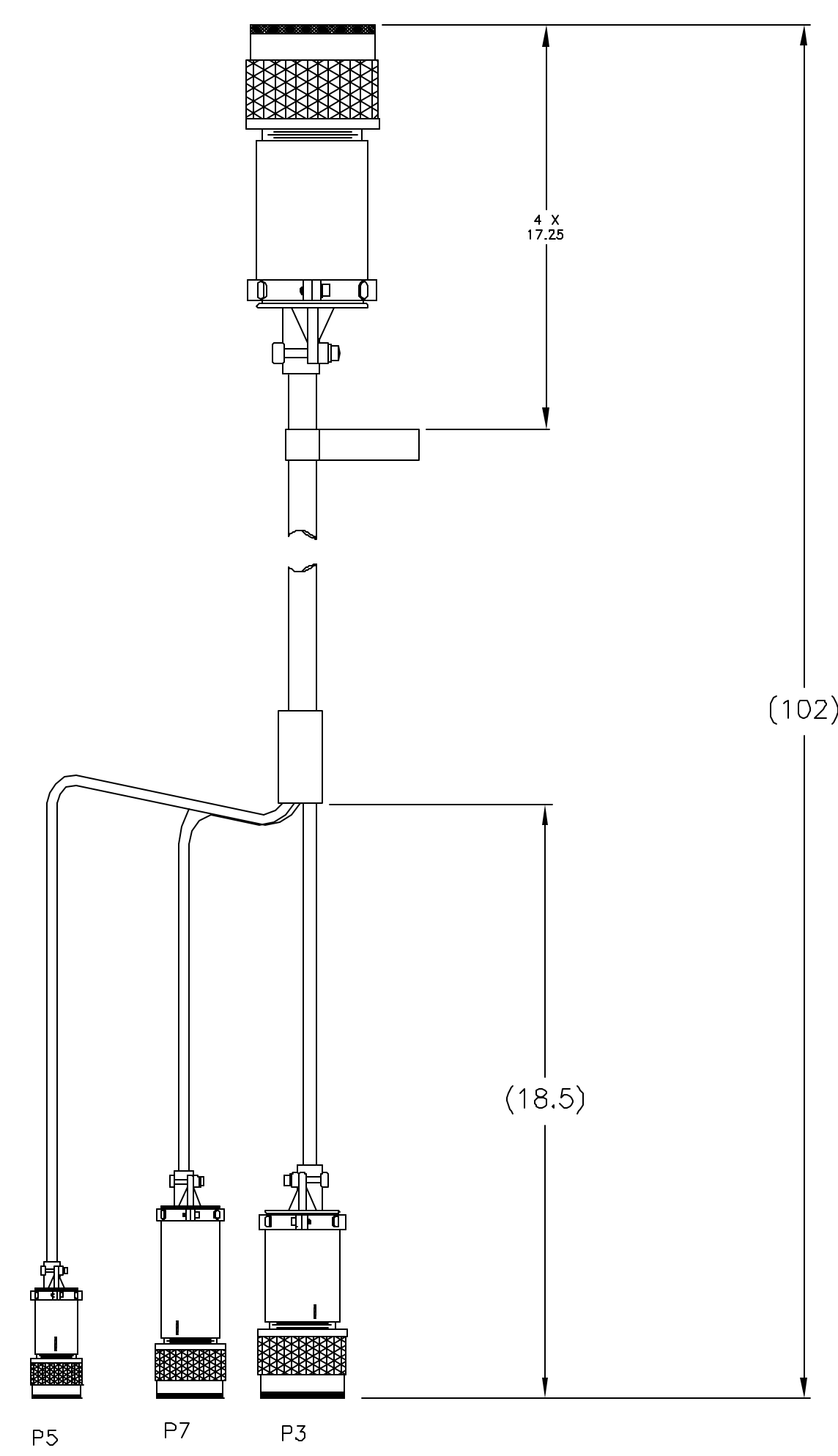


REVISIONS					
ECO	REV	DESCRIPTION	CHECKED	APPROVED	DATE
85-98	01	INITIAL RELEASE			

TABLE A

REF	TEXT
P5	P5 To WS2 NTSC/AUDIO J5
P7	P7 To WS2 RGB VIDEO J7
P3	P3 To WS2 A/D, D/A, DIO J3
P6	P6 To WS2 IRIG-B J6
P9	P9 To WS2 ETHERNET J9
P10	P10 To WS2 USB IEEE 1394 J10
P106	P106 To VOILA EE WS2 J106
A	VOILA WS2 Cable P/N 85-40801 S/N YXX 2



- NOTES:
1. COIL DIAMETER IS 16" X 2.0" HIGH.
 2. SERIAL NUMBERS STARTING WITH 100 ARE TRAINING UNITS. SERIAL NUMBERS STARTING WITH 300 ARE FLIGHT UNITS.
 3. COVERS NOT SHOWN FOR CLARITY.

UNLESS OTHERWISE SPECIFIED DIMENSIONS ARE IN INCHES TOLERANCE: ANGLES +/- 1° 3 PLACE DECIMALS +/- .003 3 PLACE DECIMALS +/- .01		NAME DRAWN M. SMITH	DATE 4/22/04	Massachusetts Institute of Technology Center for Space Research VOILA	
MATERIAL N/A		CHECKED		ICD, CABLE WS2 (VOILA EE TO WS2)	
FINISH N/A		APPROVED		SIZE D	FSCM NO. 80230
85-40800	VOILA	RELEASED		DWG NO. 85-40801.99	REV 01
NEXT ASSEMBLY	USED ON	APPLICATION		SCALE 1:1	SHEET 1 OF 1