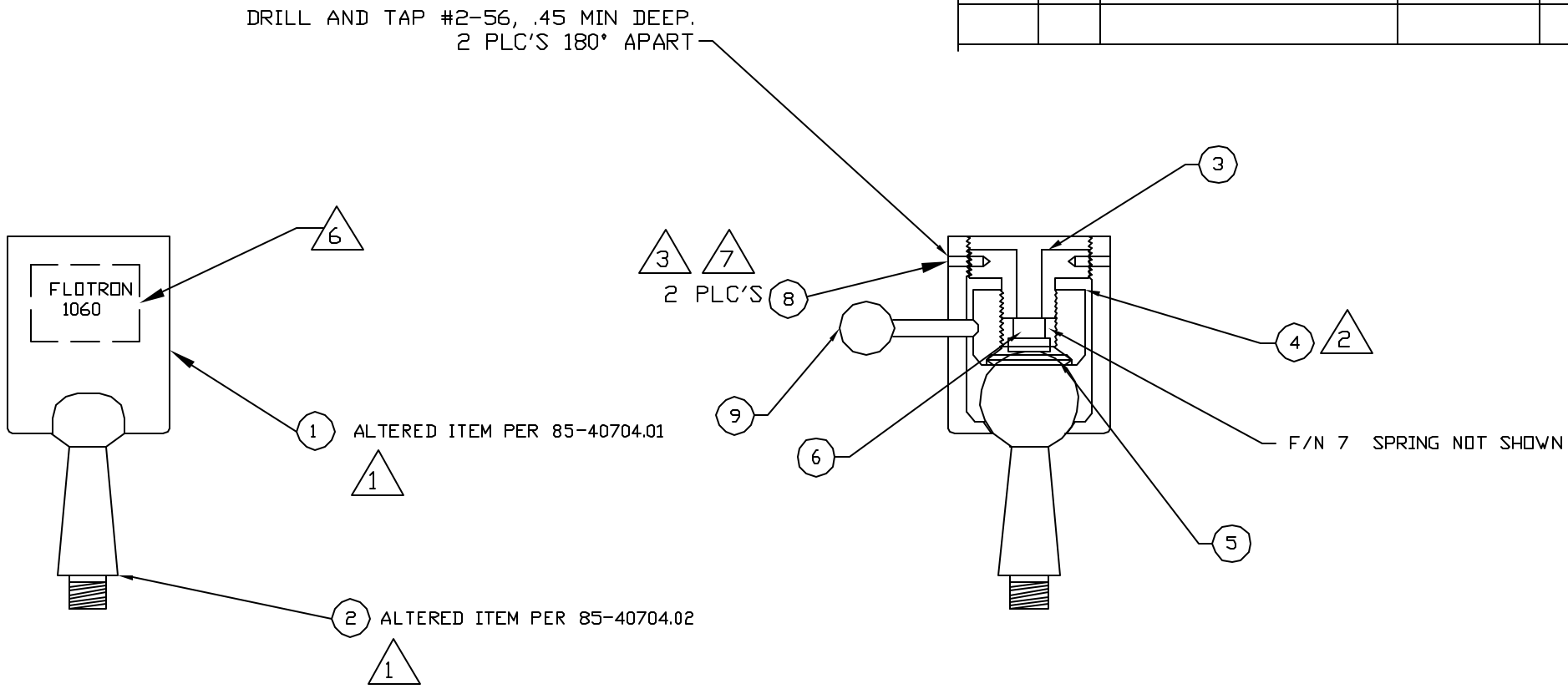


REVISIONS					
ECO	REV	DESCRIPTION	CHECKED	APPROVED	DATE
85-123	A	INITIAL RELEASE			



NOTES:

- 1. DISASSEMBLE FLOTRON P/N 1060 AND MODIFY PIECES SPECIFIED.
- 2. ADJUST THE POSITION OF F/N 4 SO THAT THE UNIT WILL LOCK IN PLACE WHEN HANDLE (F/N 9) IS PUSHED TO THE LEFT AND THE UNIT IS FREE TO ROTATE WHEN THE HANDLE (F/N 9) IS PUSHED TO THE RIGHT.
- 3. AFTER SETTING THE POSITION OF F/N 4 AND THE HANDLE, DRILL AND TAP AS SHOWN
- 4. CLEANLINESS REQUIREMENTS PER SN-C-005, LEVEL VC.
- 5. BAG AND TAG WITH MIT PART NUMBER, REV AND SERIAL NUMBER. SERIALIZE TRAINING UNITS STARTING WITH 100 AND FLIGHT UNITS STARTING WITH 300.
- 6. REMOVE LABEL AND CLEAN ANY RESIDUE LEFT OVER.
- 7. APPLY SMALL AMOUNT F/N 10 TO THREADS ON F/N 8. TORQUE F/N 8 TO 32 IN-OZ.

		UNLESS OTHERWISE SPECIFIED DIMENSIONS ARE IN INCHES TOLERANCE: ANGLES +/- 1' 3 PLACE DECIMALS +/- .005 2 PLACE DECIMALS +/- .01	NAME	DATE	Massachusetts Institute of Technology Center for Space Research VOILA				
			DRAWN	M. SMITH	HOUSING, MODIFIED, MACHINE AND ASSEMBLY DRAWING				
		MATERIAL	CHECKED	APPROVED	SIZE		FSCM NO.	DWC NO.	REV
B5-40700	voila	FINISH	RELEASED		B	80230	85-40704	A	
NEXT ASSEMBLY	USED ON		CAD FILE	SCALE	1:1	SHEET		1 OF 1	
APPLICATION									