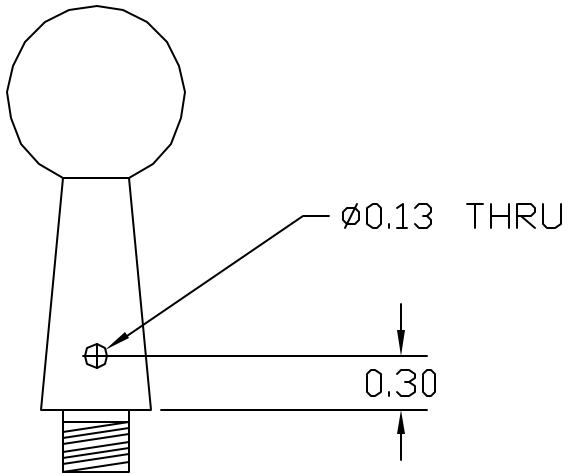


REVISIONS					
ECO	REV	DESCRIPTION	CHECKED	APPROVED	DATE
85-123	A	INITIAL RELEASE			



ALTERED ITEM DRAWING;
MAKE FROM BALL STEM FROM FLOTRON P/N 1060.

- NOTES:
1. ALL DIMENSIONS ARE IN INCHES.
 2. CLEANLINESS REQUIREMENTS PER SN-C-005, LEVEL VC.
 3. BAG AND TAG WITH MIT PART NUMBER, REV AND SERIAL NUMBER.
SERIALIZE TRAINING UNITS STARTING WITH 100 AND FLIGHT UNITS STARTING WITH 300.

		UNLESS OTHERWISE SPECIFIED DIMENSIONS ARE IN INCHES TOLERANCE: ANGLES +/- 1' 3 PLACE DECIMALS +/- .005 2 PLACE DECIMALS +/- .01	NAME	DATE	Massachusetts Institute of Technology Center for Space Research VOILA			
			DRAWN	M. SMITH	BALL STEM, ALTERED ITEM DRAWING			
			CHECKED					
			APPROVED					
		MATERIAL	RELEASED		SIZE	FSCM NO.	DWC NO.	REV
85-40704	voila	FINISH			B	80230	85-40704.02	A
NEXT ASSEMBLY	USED ON		CAD FILE	SCALE	1:1	SHEET		1 OF 1
APPLICATION								