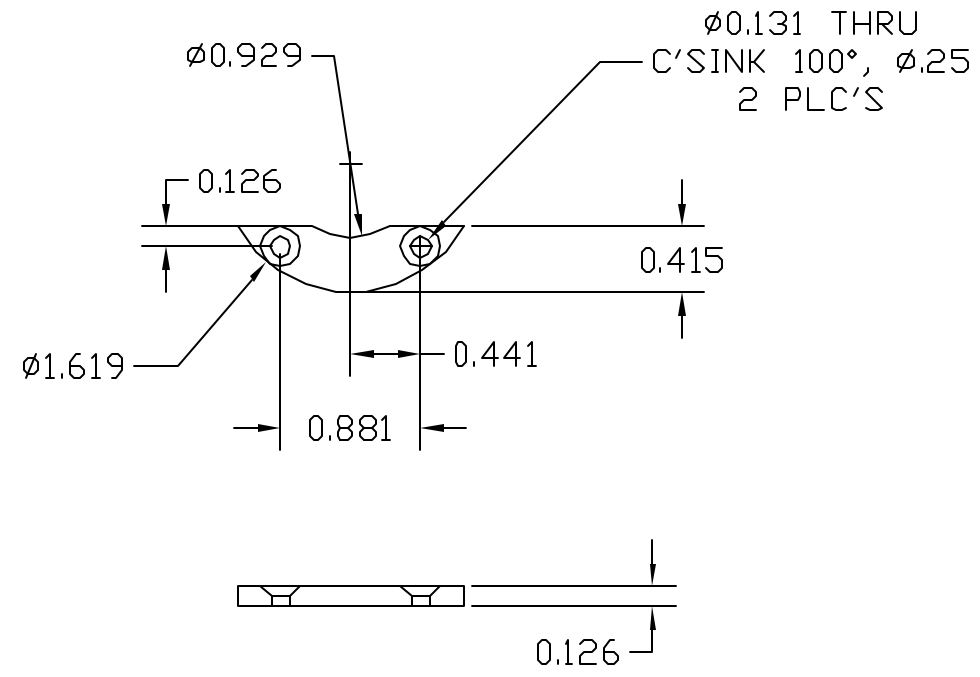


REVISIONS					
ECO	REV	DESCRIPTION	CHECKED	APPROVED	DATE
85-123	A	INITIAL RELEASE			



- NOTES:
1. ALL DIMENSIONS ARE IN INCHES.
 2. BAG AND TAG WITH MIT PART NUMBER, REV, AND SERIAL NUMBER.
SERIALIZE TRAINING UNITS STARTING WITH 100 AND FLIGHT UNITS STARTING WITH 300.

		UNLESS OTHERWISE SPECIFIED DIMENSIONS ARE IN INCHES TOLERANCE: ANGLES $\pm 1'$ 3 PLACE DECIMALS $\pm .005$ 2 PLACE DECIMALS $\pm .01$	NAME	DATE	Massachusetts Institute of Technology Center for Space Research VOILA			
			DRAWN	M. SMITH	BUSHING, BALL MOUNT			
			CHECKED					
			APPROVED					
		MATERIAL			SIZE	FSCM NO.	DWC NO.	REV
85-40704.01	voila	300 SS			B	80230	85-40704.0102	A
NEXT ASSEMBLY	USED ON	FINISH			SCALE	1:1	SHEET 1 OF 1	
APPLICATION				CAD FILE				