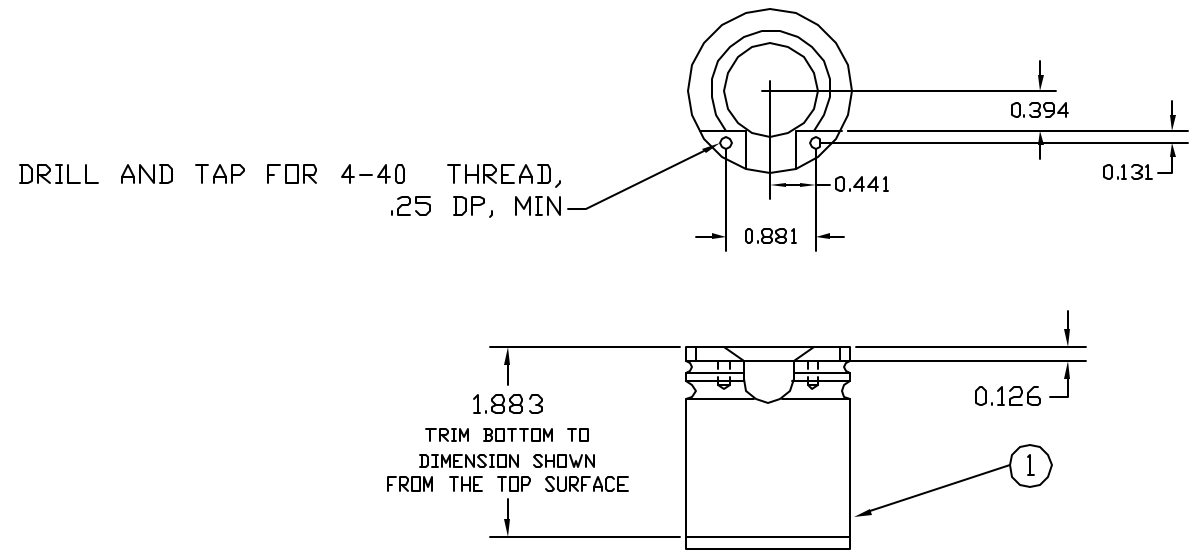


REVISIONS					
ECO	REV	DESCRIPTION	CHECKED	APPROVED	DATE
85-123	A	INITIAL RELEASE			



MAKE FROM STEEL HOUSING  
P/O FLOTRON MODEL NO 1060

NOTES:

1. ALL DIMENSIONS ARE IN INCHES.
2. BAG AND TAG WITH MIT PART NUMBER, REV., AND SERIAL NUMBER.  
SERIALIZE TRAINING UNITS STARTING WITH 100 AND FLIGHT UNITS STARTING WITH 300.

		UNLESS OTHERWISE SPECIFIED DIMENSIONS ARE IN INCHES TOLERANCE: ANGLES +/- 1' 3 PLACE DECIMALS +/- .005 2 PLACE DECIMALS +/- .01	NAME	DATE	Massachusetts Institute of Technology Center for Space Research VOILA		
			DRAWN	M. SMITH	HOUSING, ALTERED ITEM DRAWING		
		MATERIAL	CHECKED	APPROVED			
85-40704.01	voila	FINISH	RELEASED				
NEXT ASSEMBLY	USED ON		SIZE	FSCM NO.	DWC NO.	REV	
APPLICATION			B	80230	85-40704.0101	A	
		CAD FILE	SCALE	1:1	SHEET	1 OF 1	