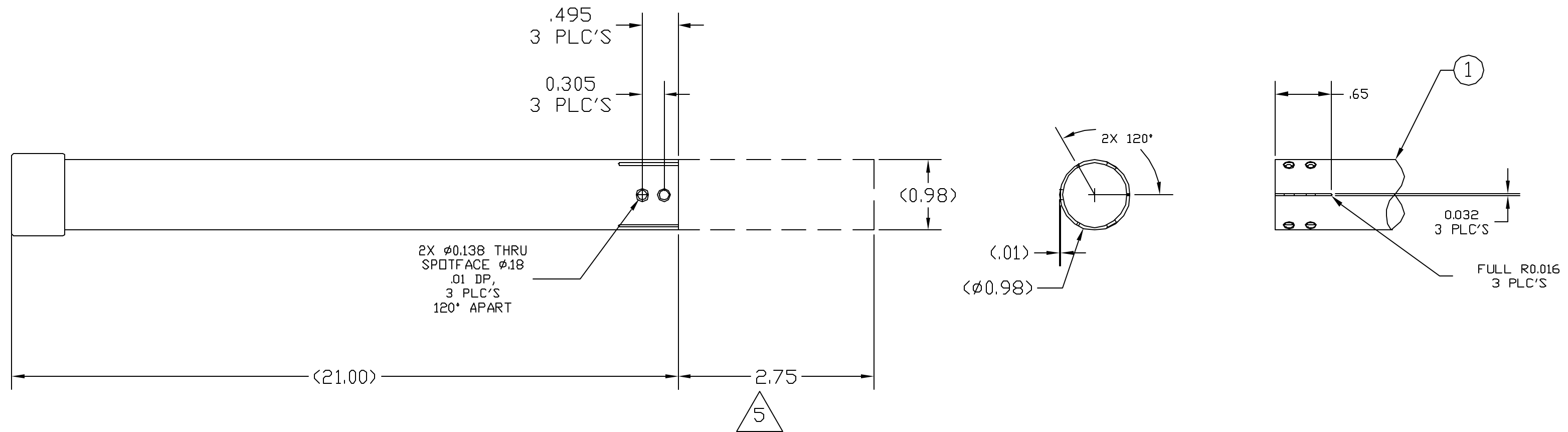


REVISIONS					
ECO	REV	DESCRIPTION	CHECKED	APPROVED	DATE
85-123	A	INITIAL RELEASE			
85-133	B	ADD SH 2 AND 3			

ALTERED ITEM DRAWING  
 MAKE FROM 85-40701.010401 (MANFROTTO P/N 134.47)  
 (LOWER POLE SECTION)



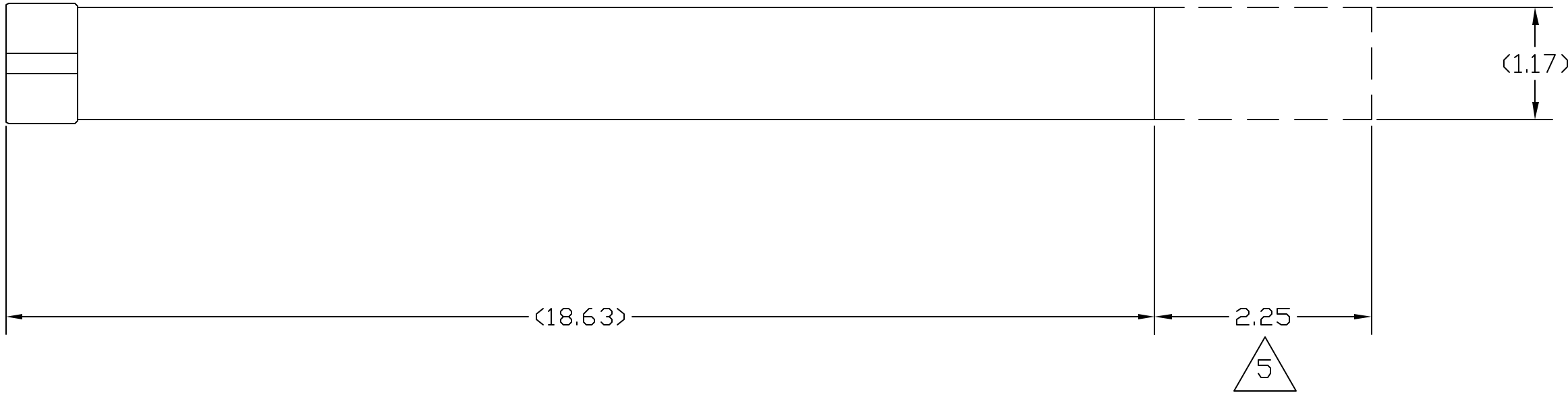
- NOTES:
1. ALL DIMENSIONS ARE IN INCHES.
  2. CLEANLINESS REQUIREMENTS PER SN-C-0005 LEVEL VC.
  3. TAG WITH MIT PART NUMBER, REV, AND SERIAL NUMBER. SERIALIZE TRAINING UNITS STARTING WITH 100 AND FLIGHT UNITS STARTING WITH 300.
  4. TOUCH UP MACHINED SURFACES PER MIL-C5541, CLASS 3
- $\triangle 5$  CUT TUBE TO LENGTH AS SHOWN. CUT FROM THE SMALL END OF THE TUBE.

		UNLESS OTHERWISE SPECIFIED DIMENSIONS ARE IN INCHES TOLERANCE: ANGLES $\pm 1^\circ$ 3 PLACE DECIMALS $\pm .005$ 2 PLACE DECIMALS $\pm .01$	NAME	DATE	Massachusetts Institute of Technology Center for Space Research VOILA			
			MATERIAL ALUMINUM	DRAWN M. SMITH		MODIFIED ASSEMBLY DRAWING TELESCOPE POLE		
85-40701.01	voila	NOTE 4 FINISH	CHECKED		SIZE B	FSCM NO. 80230	DWG NO. 85-40701.0104	REV B
NEXT ASSEMBLY	USED ON		RELEASED			SCALE 1:1		SHEET 1 OF 3
APPLICATION			CAD FILE					



REVISIONS					
ECO	REV	DESCRIPTION	CHECKED	APPROVED	DATE
85-123	A	INITIAL RELEASE			
85-133	B	SEE SH 1			

ALTERED ITEM DRAWING  
 MAKE FROM 85-40701.010402 (MANFROTTO P/N 134.46)  
 (MIDDLE POLE SECTION)



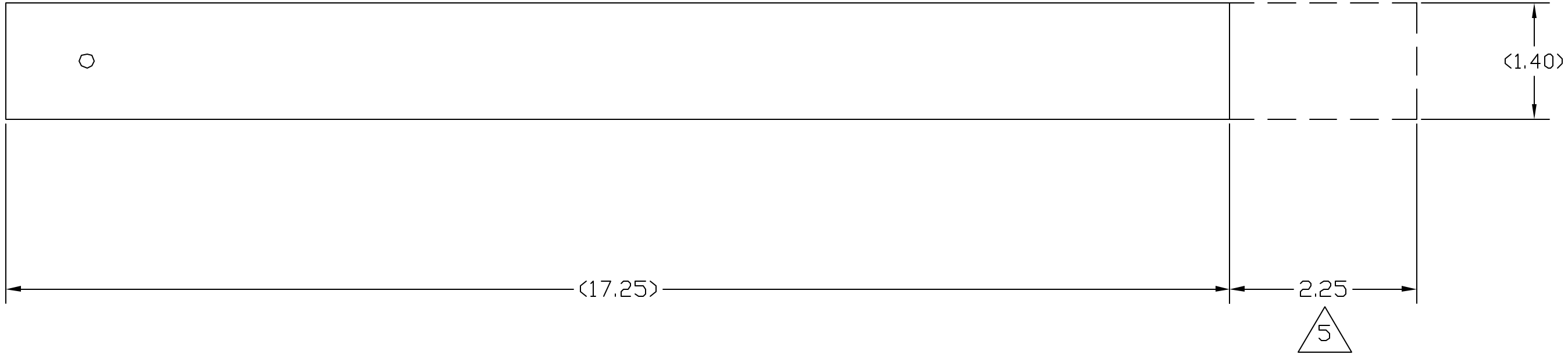
UNLESS OTHERWISE SPECIFIED DIMENSIONS ARE IN INCHES TOLERANCE: ANGLES +/- 1° 3 PLACE DECIMALS +/- .005 2 PLACE DECIMALS +/- .01	NAME	DATE	Massachusetts Institute of Technology Center for Space Research VOILA			
	DRAWN M. SMITH					
	CHECKED		MODIFIED ASSEMBLY DRAWING TELESCOPE POLE			
	APPROVED					
MATERIAL ALUMINUM	RELEASED		SIZE B	FSCM NO. 80230	DWG NO. 85-40701.0104	REV B
NOTE 4 FINISH	CAD FILE		SCALE 1:1		SHEET 2 OF 3	





REVISIONS					
ECO	REV	DESCRIPTION	CHECKED	APPROVED	DATE
85-123	A	INITIAL RELEASE			
85-133	B	SEE SH 1			

ALTERED ITEM DRAWING  
 MAKE FROM 85-40701.010403 (MANFROTTO P/N 134.45)  
 (UPPER POLE SECTION)



NAME	DATE	Massachusetts Institute of Technology Center for Space Research VOILA			
DRAWN M. SMITH		MODIFIED ASSEMBLY DRAWING TELESCOPE POLE			
CHECKED					
APPROVED					
RELEASED					
	SIZE B	FSCM NO. 80230	DWG NO. 85-40701.0104	REV B	
CAD FILE	SCALE 1:1		SHEET 3 OF 3		

