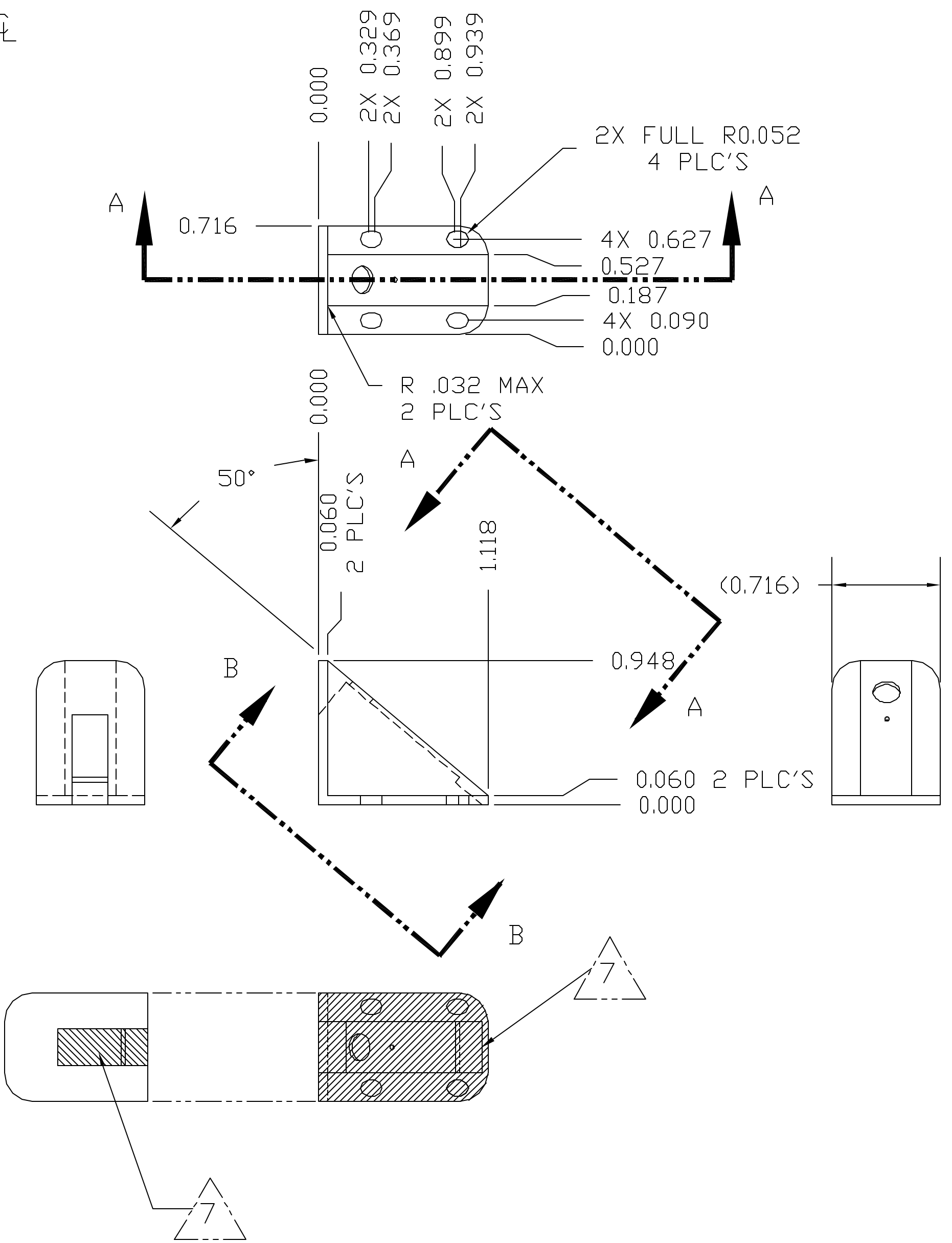
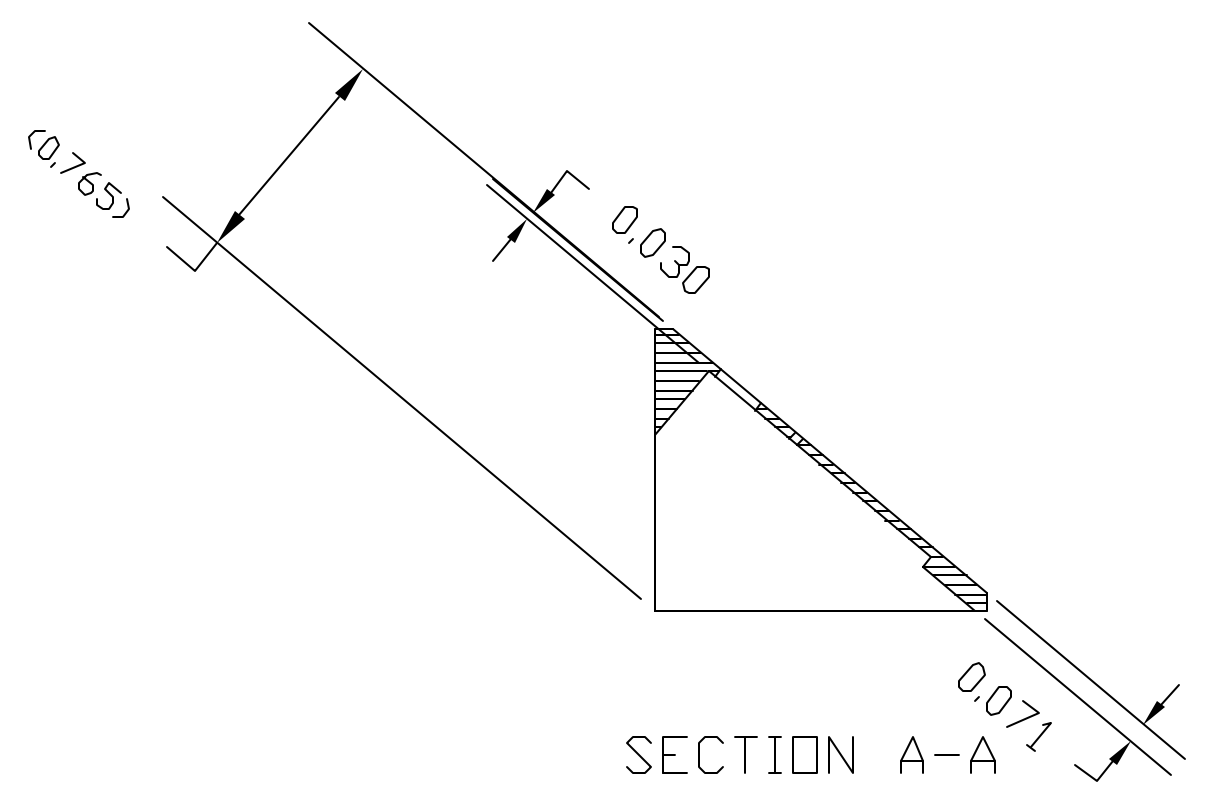
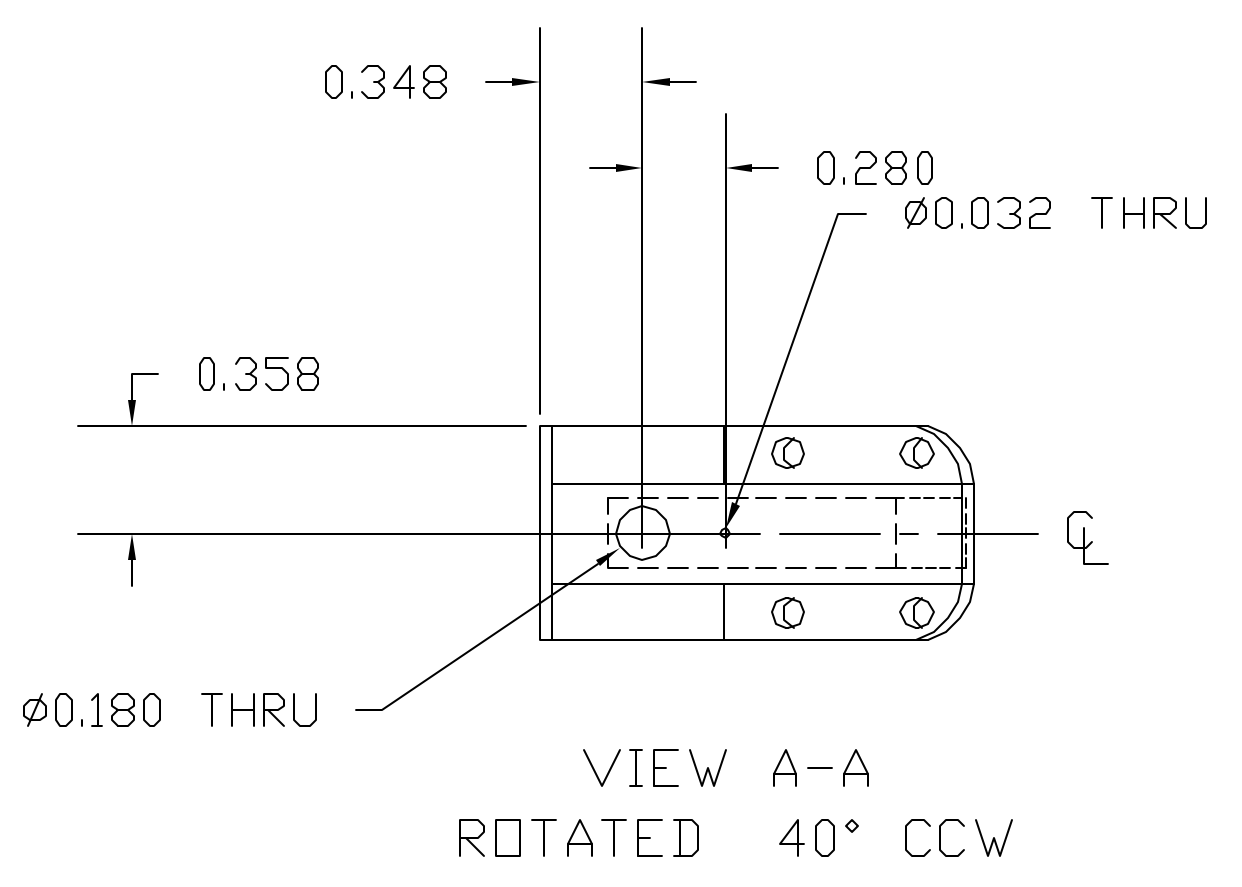
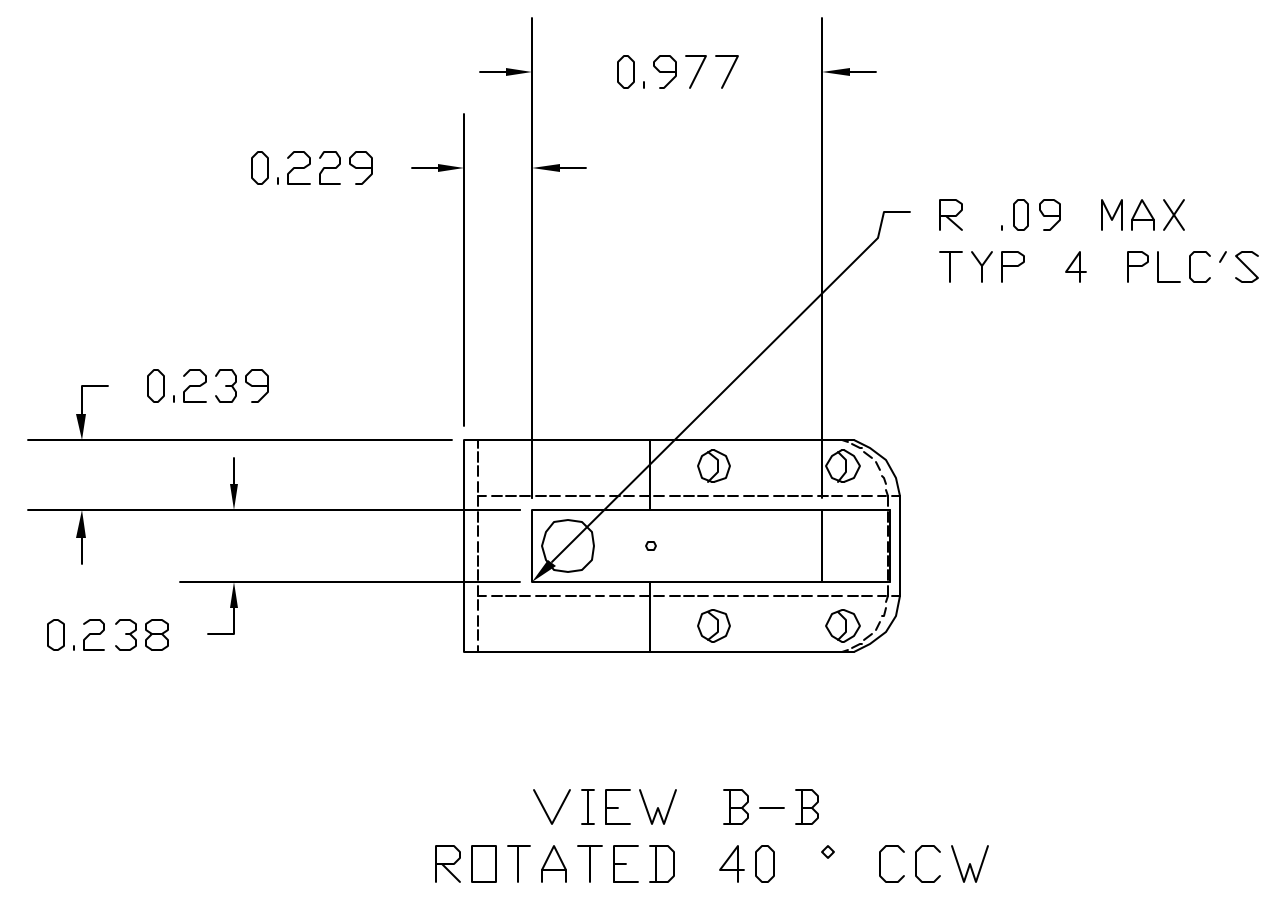


REVISIONS					
ECO	REV	DESCRIPTION	CHECKED	APPROVED	DATE
85-73	01	INITIAL RELEASE		M. SMITH	2/27/04
85-80	A	RELEASE FOR BUILD			



- NOTES:
- ALL DIMENSIONS ARE IN INCHES.
  - CLEANLINESS REQUIREMENTS PER SN-C-0005 LEVEL VC-SENSITIVE.
  - BAG AND TAG WITH P/N AND REV.
  - ANODIZE PER NASA/JSC PRC-5006, TYPE II, CLASS 2, COLOR BLACK.
  - INSTALL INSERTS PER MS33537, REMOVE TANG. INSTALL AFTER FINISH
  - DEBUR AND BREAK SHARP EDGES. CORNER RADII TO BE .01 MAX. FILLET RADIUS .01 MAX.
  - MASK FROM ANODIZED FINISH CONVERSION COAT PER MIL-C-5541, CLASS 3..
  - UNTOLERANCED DIMENSIONS LOCATING TRUE POSITION ARE BASIC.

UNLESS OTHERWISE SPECIFIED DIMENSIONS ARE IN INCHES TOLERANCE: ANGLES +/- 1° 3 PLACE DECIMALS +/- .005 2 PLACE DECIMALS +/- .01		NAME M. SMITH	DATE 3/28/04	Massachusetts Institute of Technology Center for Space Research VOILA	
MATERIAL ALUM 6061 T6		CHECKED	APPROVED	MOUNTING BLOCK, LED MARKER, PADDLE ASSY	
85-40500	VOILA	RELEASED		SIZE D	FSCM NO. 80230
NEXT ASSEMBLY	USED ON	CAD FILE		DWG NO. 85-40508	REV A
APPLICATION			SCALE 1:1	SHEET 1 OF 1	