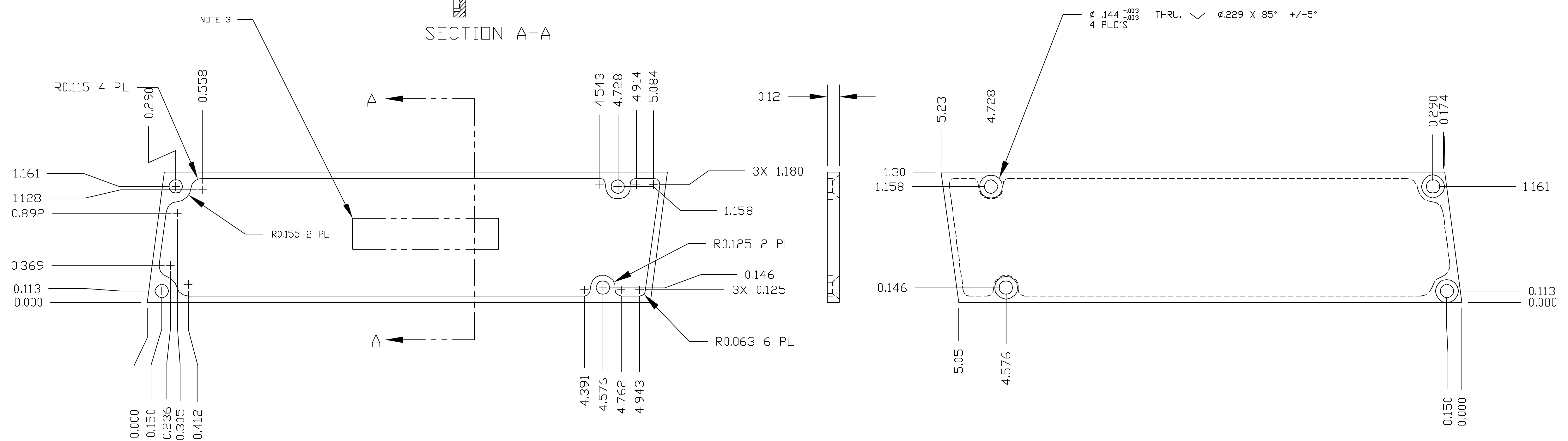
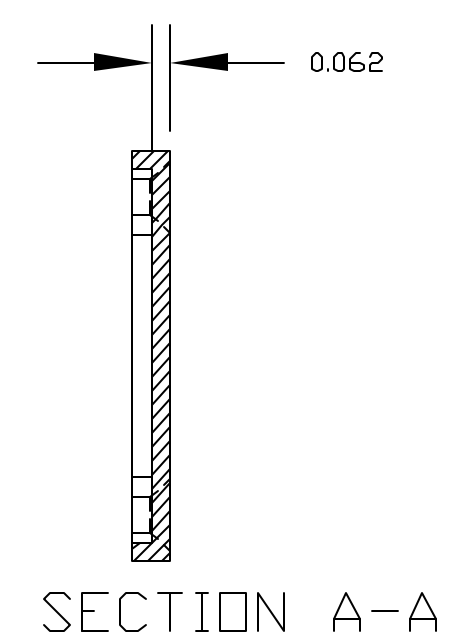


REVISIONS					
ECO	REV	DESCRIPTION	CHECKED	APPROVED	DATE
85-74	01	INITIAL RELEASE		M. SMITH	3/8/04
85-80	A	RELEASE FOR BUILD			



- NOTES:
1. ALL DIMENSIONS ARE IN INCHES.
  2. CLEANLINESS REQUIREMENTS PER SN-C-0005 LEVEL VC-SENSITIVE.
  3. PERMANENT INK STAMP PN IN .12 HIGH CHARACTERS WITH ITEM 1. LOCATE APPROXIMATELY WHERE SHOWN. ENGRAVING IS ACCEPTABLE.
  4. CHEM FILM PER MIL-C-5541, CLASS 3.
  5. DEBUR AND BREAK SHARP EDGES. RADIUS CORNERS .06 MAX. FILLET RADIUS .02 MAX.

UNLESS OTHERWISE SPECIFIED DIMENSIONS ARE IN INCHES TOLERANCE: ANGLES +/- 1° 3 PLACE DECIMALS +/- .005 2 PLACE DECIMALS +/- .01		NAME	DATE	Massachusetts Institute of Technology Center for Space Research VOILA	
MATERIAL 6061-T6 AL		DRAWN	M. SMITH	COVER, HANDLE PADDLE ASSY.	
NOTE 4 FINISH		CHECKED			
85-40500		APPROVED			
NEXT ASSEMBLY		RELEASED			
APPLICATION	USED ON	CAD FILE	SCALE	SIZE	FSCM NO.
			1:1	C	80230
				DWG NO.	85-40504
				REV	A
				SHEET	1 OF 1