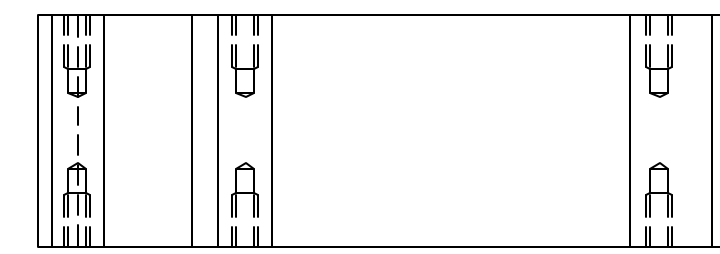
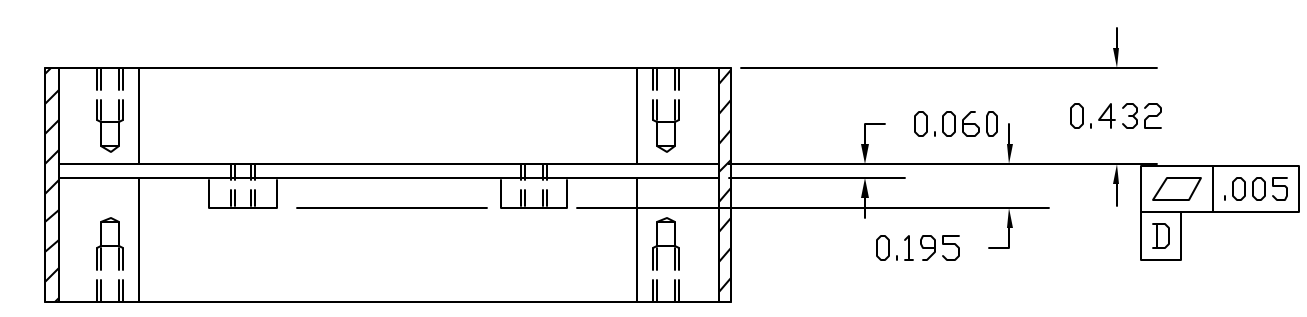


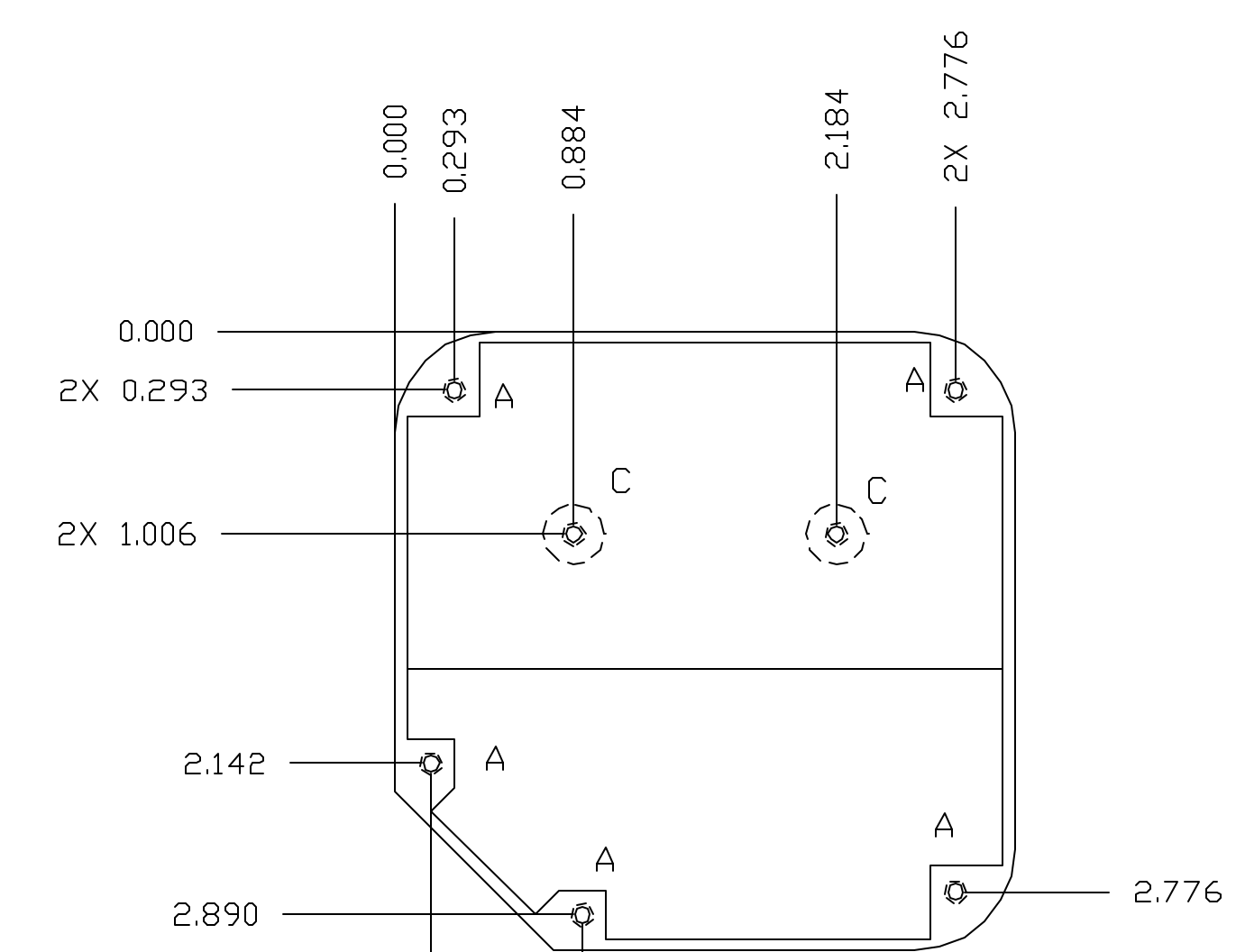
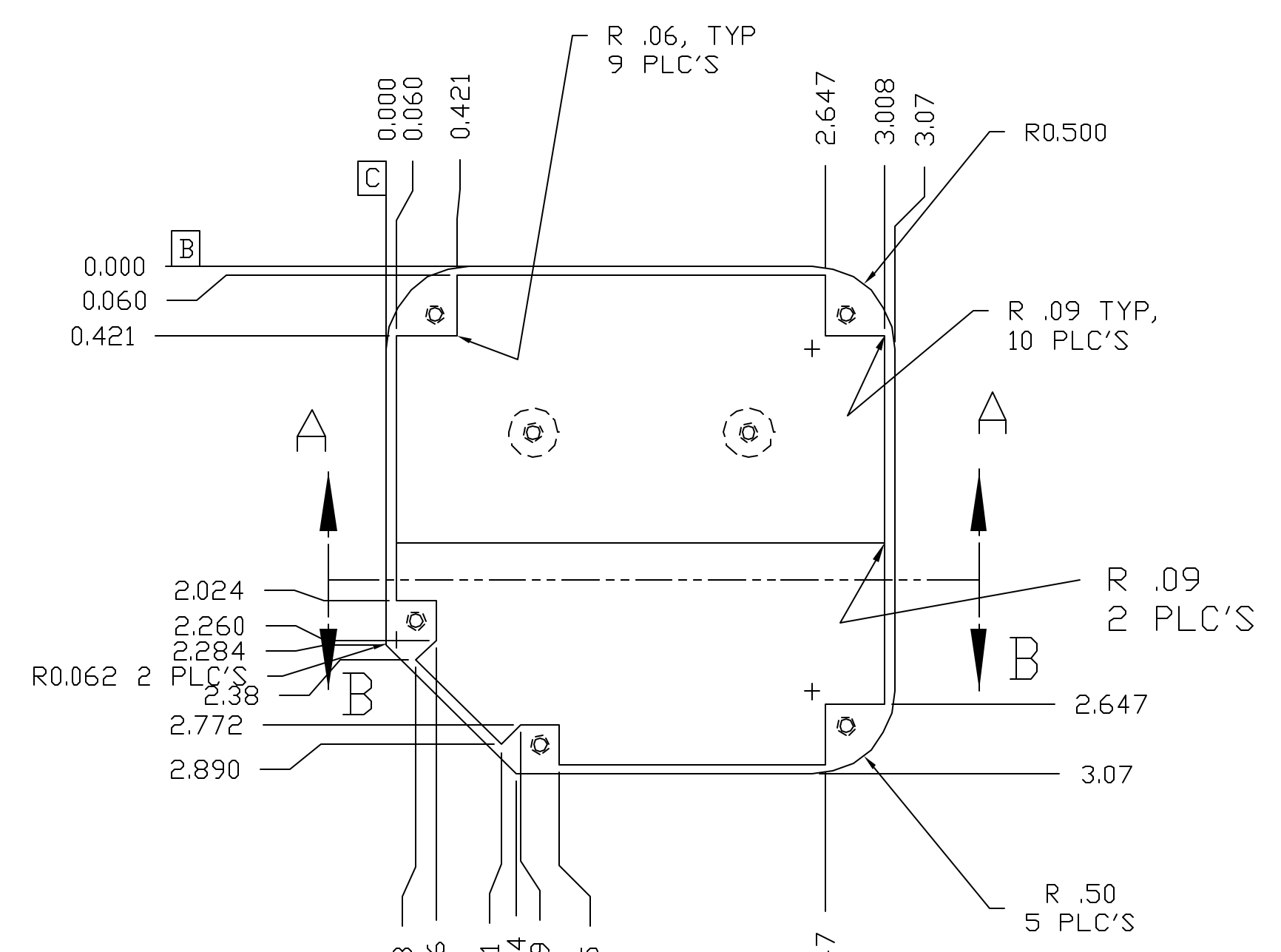
REVISIONS				
ECO	REV	DESCRIPTION	CHECKED	APPROVED
85-73	01	INITIAL RELEASE	M. SMITH	M. SMITH
85-80	A	RELEASE FOR BUILD		



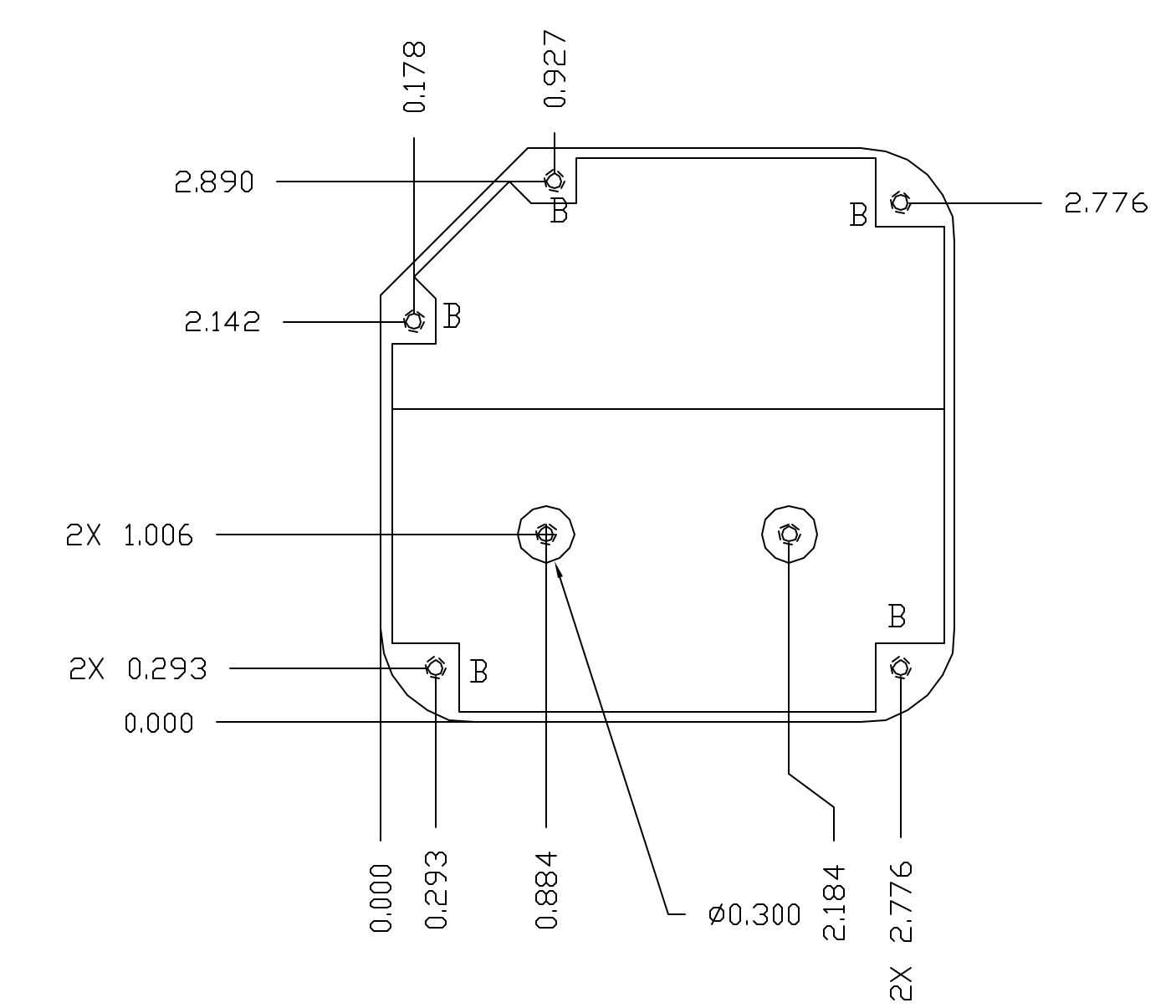
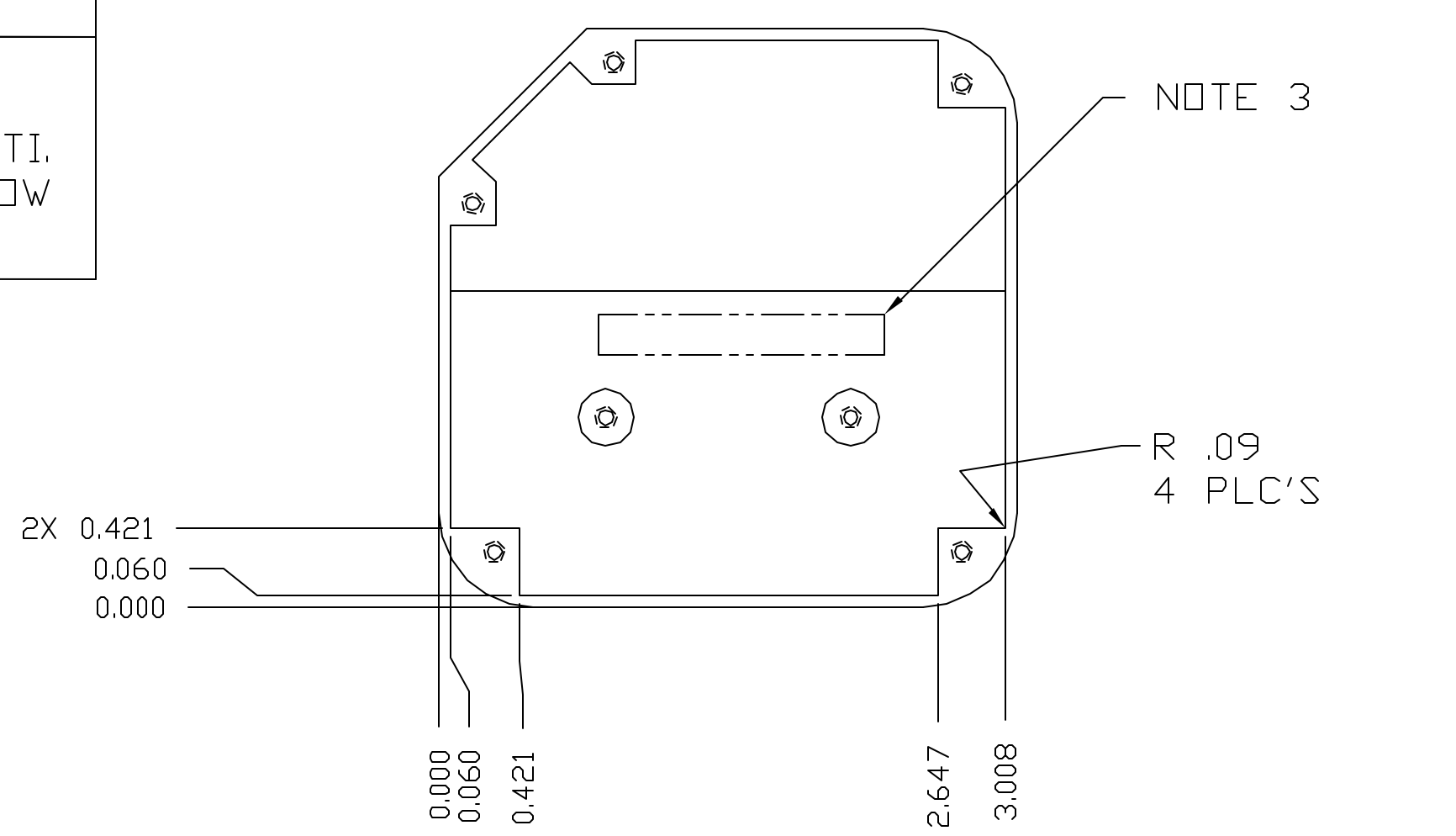
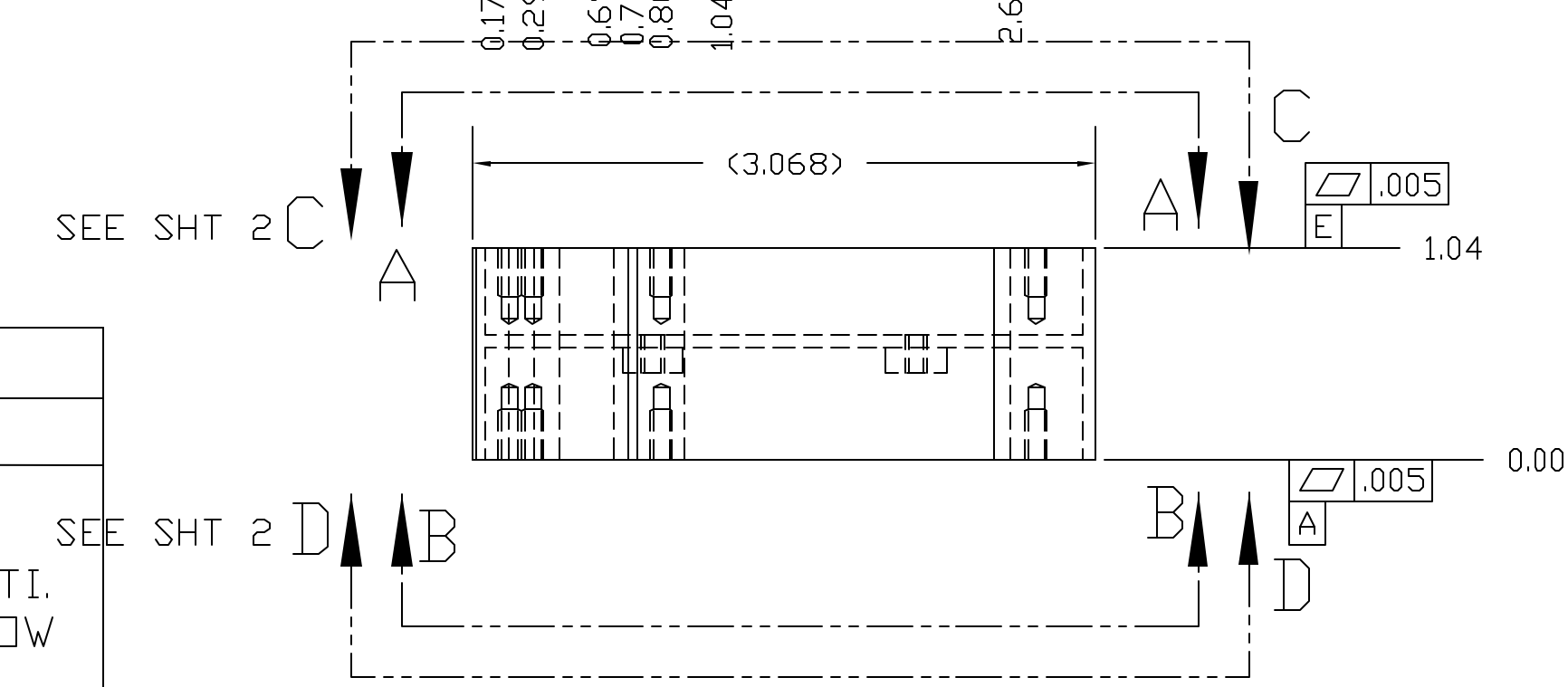
SECTION B-B



SECTION A-A



VIEW A-A



VIEW B-B

HOLE CHART			
HOLE	QTY	TOLERANCE	DESCRIPTION
A	5	$\varnothing .010 \text{ (M) A B C}$	$\varnothing .120 \begin{smallmatrix} +.003 \\ -.002 \end{smallmatrix}$.379 ∇ , $\nabla \varnothing .14-.17 \times 120^\circ \pm 5^\circ$, TAP $\nabla .190$ FOR .112-40 UNC LOCKING HELICAL STI. INSTALL INSERT (FN 1) 3/4 - 1 1/2 PITCH BELOW SURFACE. INSTALL INSERT AFTER FINISH.
B	5	$\varnothing .010 \text{ (M) E B C}$	
C	2	$\varnothing .010 \text{ (M) D B C}$	$\varnothing .120 \begin{smallmatrix} +.003 \\ -.002 \end{smallmatrix}$ THRU, $\nabla \varnothing .14-.17 \times 120^\circ \pm 5^\circ$, TAP THRU FOR .112-40 UNC LOCKING HELICAL STI. INSTALL INSERT (FN 1) 3/4 - 1 1/2 PITCH BELOW SURFACE. INSTALL INSERT AFTER FINISH.

- NOTES:
- ALL DIMENSIONS ARE IN INCHES.
 - CLEANLINESS REQUIREMENTS PER SN-C-0005 LEVEL "VC-SENSITIVE".
 - PERMANENT INK STAMP PN AND REV IN .12 HIGH CHARACTERS WITH ITEM 2. LOCATE APPROXIMATELY WHERE SHOWN. ENGRAVING IS ACCEPTABLE.
 - ANODIZE PER NASA/JSC PRC-5006, TYPE II, CLASS 2, COLOR BLACK.
 - INSTALL INSERTS PER MS33537, REMOVE TANG. INSTALL AFTER FINISH
 - DEBUR AND BREAK ALL SHARP EDGES. CORNER RADII .04 MAX.
 - MASK FROM ANODIZED FINISH. CONVERSION COAT PER MIL-C-5541, CLASS 3.
 - UNTOLERANCED DIMENSIONS LOCATING TRUE POSITION ARE BASIC.

UNLESS OTHERWISE SPECIFIED DIMENSIONS ARE IN INCHES TOLERANCE: ANGLES +/- 1° 3 PLACE DECIMALS +/- .005 2 PLACE DECIMALS +/- .01		NAME M. SMITH	DATE 3/7/04	Massachusetts Institute of Technology Center for Space Research VOILA	
85-40500	VOILA	CHECKED		ENCLOSURE, INTERSENSE CUBE PADDLE ASSY	
NEXT ASSEMBLY	USED ON	APPROVED		SIZE D	FSCM NO. 80230
APPLICATION		RELEASED		DWG NO. 85-40502	REV A
				SCALE 1:1	SHEET 1 OF 2

8

7

6

5

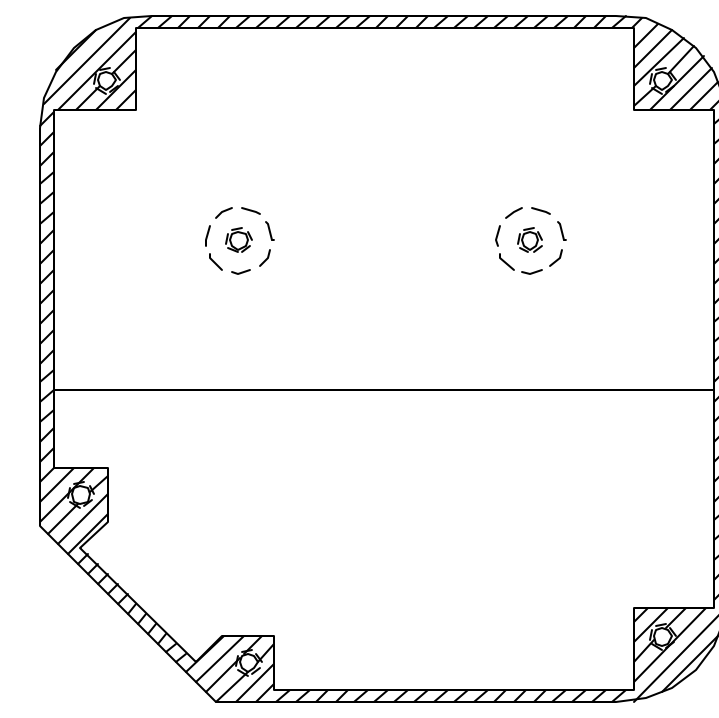
4

3

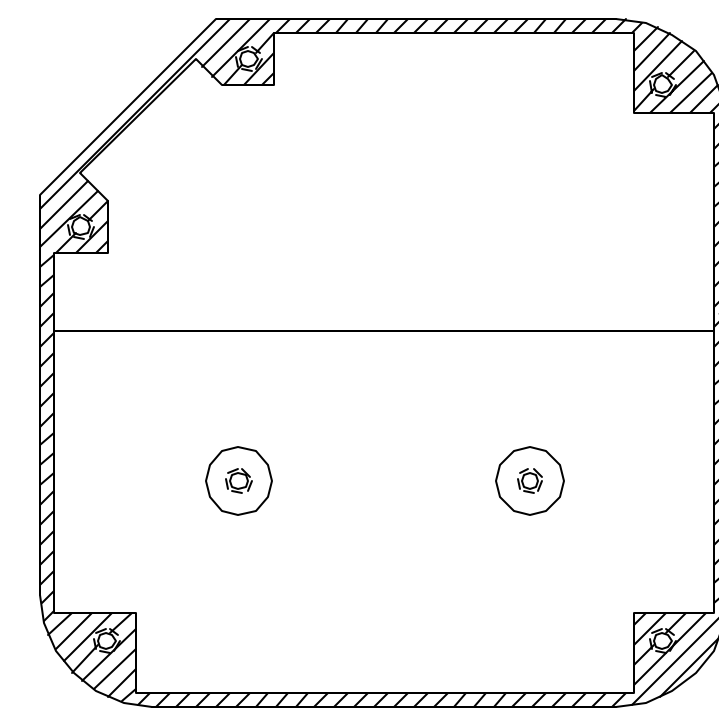
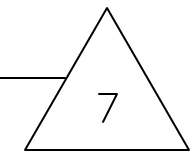
2

1

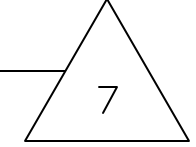
REVISIONS					
ECO	REV	DESCRIPTION	CHECKED	APPROVED	DATE
85-73	01	INITIAL RELEASE	M. SMITH	M. SMITH	2/27/04
85-80	A	RELEASE FOR BUILD			



VIEW C-C



VIEW D-D



Massachusetts Institute of Technology
Center for Space Research
VOILA

ENCLOSURE,
INTERSENSE CUBE
PADDLE ASSY

SIZE D	FSCM NO. 80230	DWG NO. 85-40502	REV A
SCALE 1:1	SHEET 2 OF 2		