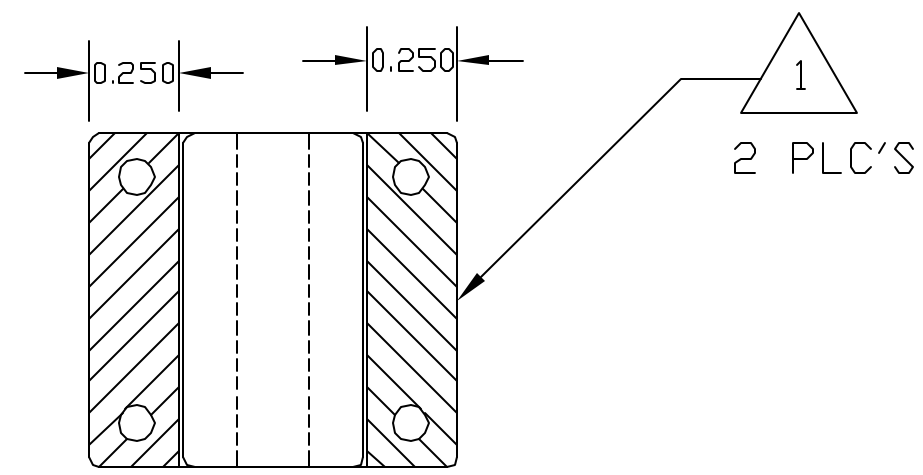
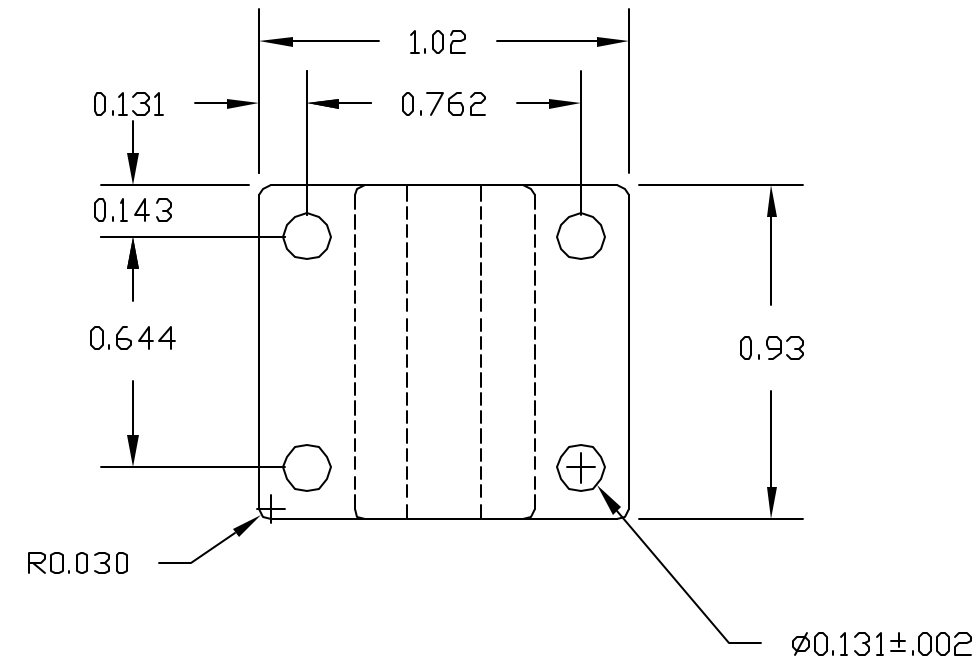
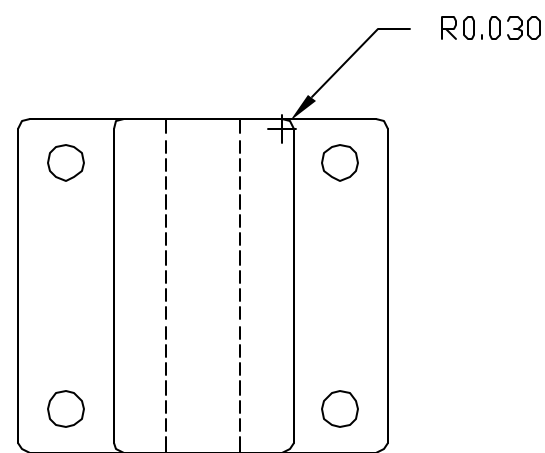
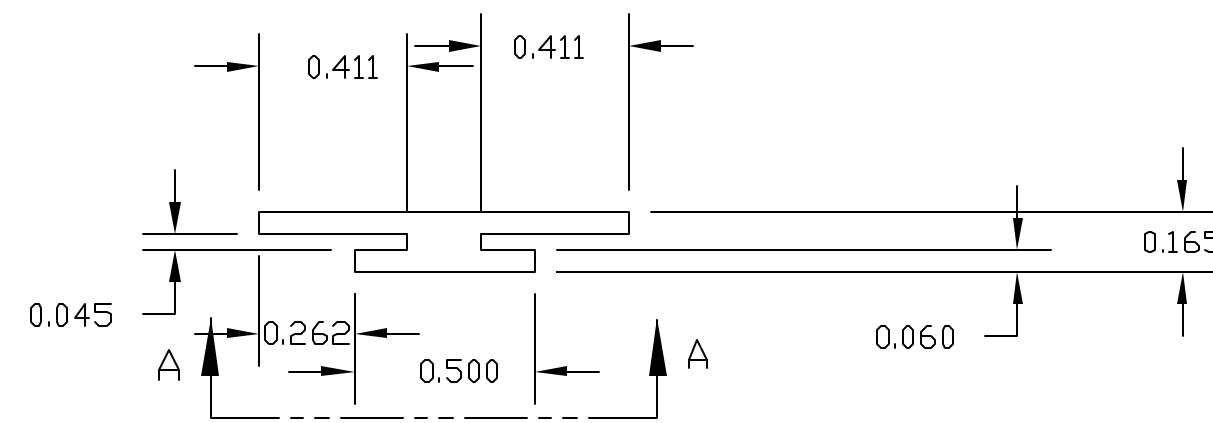


REVISIONS					
ECO	REV	DESCRIPTION	CHECKED	APPROVED	DATE
85-162	A	INITIAL RELEASE			



VIEW A-A



- NOTES:
1. MASK FROM ANODIZED FINISH. CHEMFILM PER MIL-C5541, CLASS 3
 2. CLEANLINESS REQUIREMENTS PER SN-C-0005 LEVEL VC-SENSITIVE.
 3. PERMANENT INK STAMP P/N IN .12 HIGH CHARACTERS WITH ITEM 2 LOCATE APPROXIMATELY WHERE SHOWN. ENGRAVING IS ACCEPTABLE.
 4. ANODIZE PER NASA/JSC PRC-5006 CLASS 2 TYPE II, BLACK
 5. DEBURR AND BREAK SHARP EDGES. RADII CORNERS .06 MAX. FILLET RADIUS .02 MAX.

		UNLESS OTHERWISE SPECIFIED DIMENSIONS ARE IN INCHES TOLERANCE: ANGLES +/- 1° 3 PLACE DECIMALS +/- .005 2 PLACE DECIMALS +/- .01	NAME	DATE	Massachusetts Institute of Technology Center for Space Research VOILA			
			DRAWN	M. SMITH				
		MATERIAL 6061-T6 AL	CHECKED		CROSS BRACE PADDLE ASSY.			
			APPROVED					
			RELEASED					
85-40501	VOILA	NOTE 4 FINISH			SIZE	FSCM NO.	DWG NO.	REV
NEXT ASSEMBLY	USED ON		C	80230	85-40501.03	A		
APPLICATION			CAD FILE		SCALE	1:1	SHEET	1 OF 1