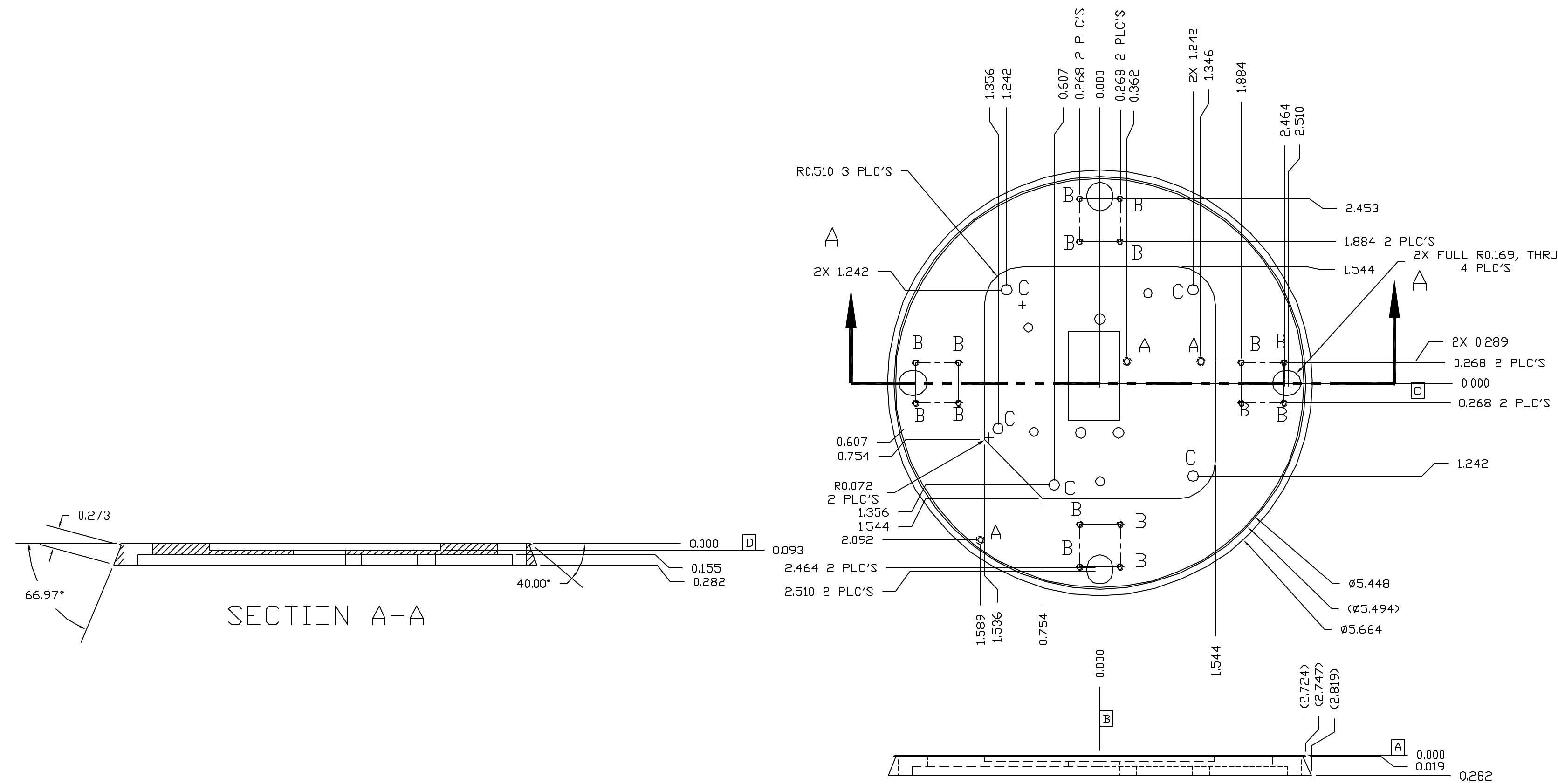
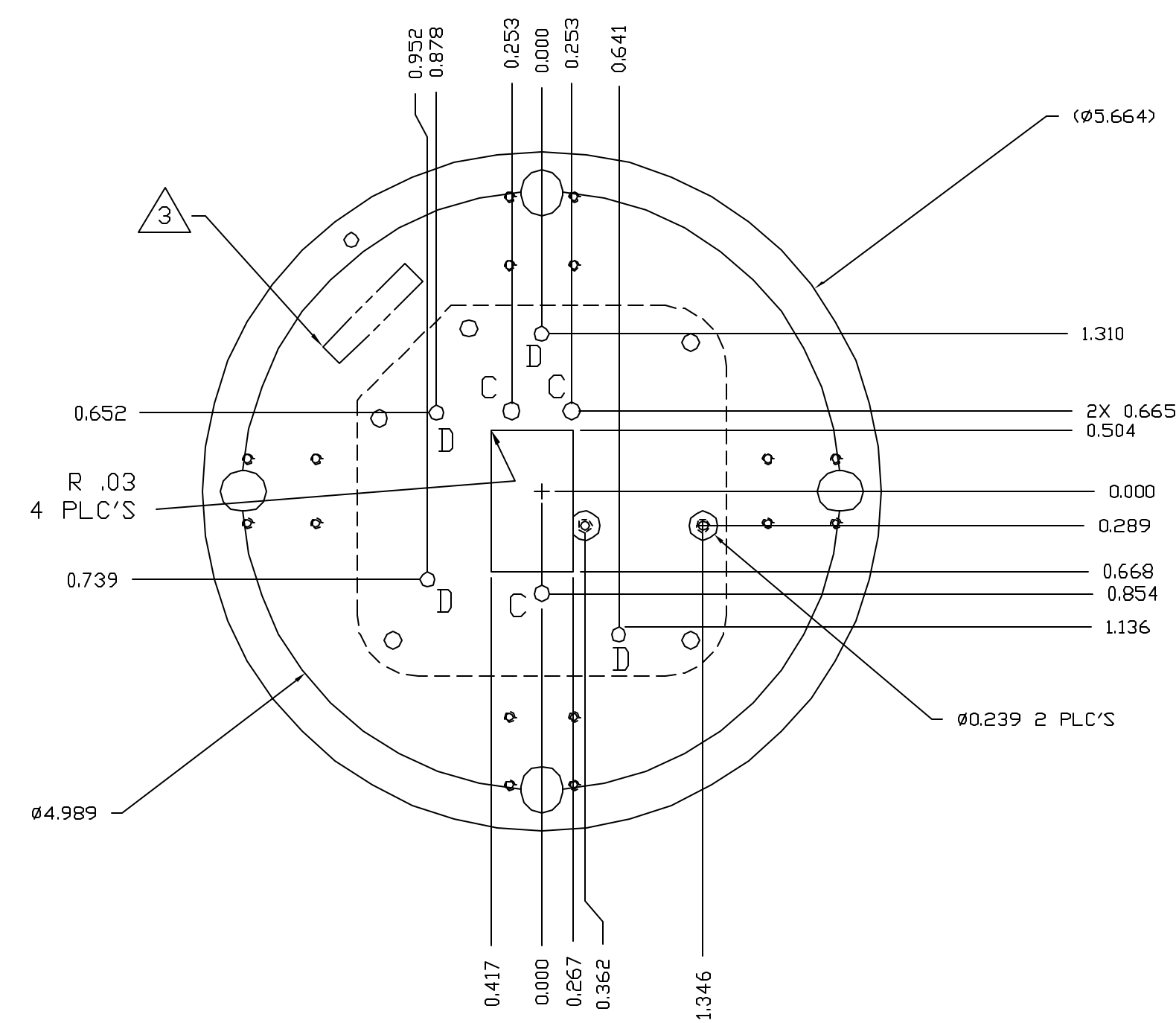


| REVISIONS | | | | | |
|-----------|-----|-------------------|---------|----------|---------|
| ECO | REV | DESCRIPTION | CHECKED | APPROVED | DATE |
| 85-73 | 01 | INITIAL RELEASE | | M. SMITH | 2/27/04 |
| 85-80 | A | RELEASE FOR BUILD | | | |



| HOLE CHART | | | |
|------------|-----|--------------------------------------|---|
| HOLE | QTY | TOLERANCE | DESCRIPTION |
| A | 3 | $\varnothing .010 \text{ (M) D B C}$ | $\varnothing .120 \begin{smallmatrix} +.003 \\ -.002 \end{smallmatrix} .312 \nabla$, $\nabla \varnothing .14-.17 \times 120^\circ \pm 5^\circ$, TAP $\nabla .190$ FOR $.112-40$ UNC HELICAL STI. (INSERTS INSTALLED AT NEXT HIGHER ASSEMBLY.) |
| B | 16 | $\varnothing .010 \text{ (M) A B C}$ | $\varnothing .094 \begin{smallmatrix} +.003 \\ -.002 \end{smallmatrix} .\text{THRU}$, $\nabla \varnothing .09-.11 \times 120^\circ \pm 5^\circ$, TAP THRU FOR $.086-56$ UNC HELICAL STI. (INSERTS INSTALLED AT NEXT HIGHER ASSEMBLY.) |
| C | 8 | $\varnothing .005 \text{ (M) D B C}$ | $\varnothing .144 \pm .003$, THRU |
| D | 4 | $\varnothing .010 \text{ (M) D B C}$ | $\varnothing .116 \pm .003$, THRU |



- NOTES:
1. ALL DIMENSIONS ARE IN INCHES.
 2. UNTOLERANCED DIMENSIONS LOCATING TRUE POSITION ARE BASIC.
 3. PERMANENT INK STAMP PN IN .12 HIGH CHARACTERS WITH ITEM 1. LOCATE APPROXIMATELY WHERE SHOWN. ENGRAVING IS ACCEPTABLE.
 4. FINISH IS APPLIED AT NEXT HIGHER ASSEMBLY.
 5. DEBUR AND BREAK SHARP EDGES. CORNER RADII .005 MAX. FILLET RADIUS .01 MAX.

| | | | | | |
|--|---------|------------------|-----------------|---|-------------------|
| UNLESS OTHERWISE SPECIFIED DIMENSIONS ARE IN INCHES TOLERANCE: ANGLES +/- 1° 3 PLACE DECIMALS +/- .005 2 PLACE DECIMALS +/- .01 | | NAME M. SMITH | DATE 3/28/04 | Massachusetts Institute of Technology Center for Space Research VOILA | |
| MATERIAL ALUM 6061 T6 | | CHECKED | | PLATE, MECHANICAL INTERFACE, PADDLE ASSY | |
| NOTE 4 FINISH | | APPROVED | | SIZE D | FSCM NO. 80230 |
| 85-40501 | VOILA | RELEASED | | DWG NO. 85-40501.02 | REV A |
| NEXT ASSEMBLY | USED ON | CAD FILE | | SCALE 1:1 | SHEET 1 OF 1 |
| APPLICATION | | | | | |