

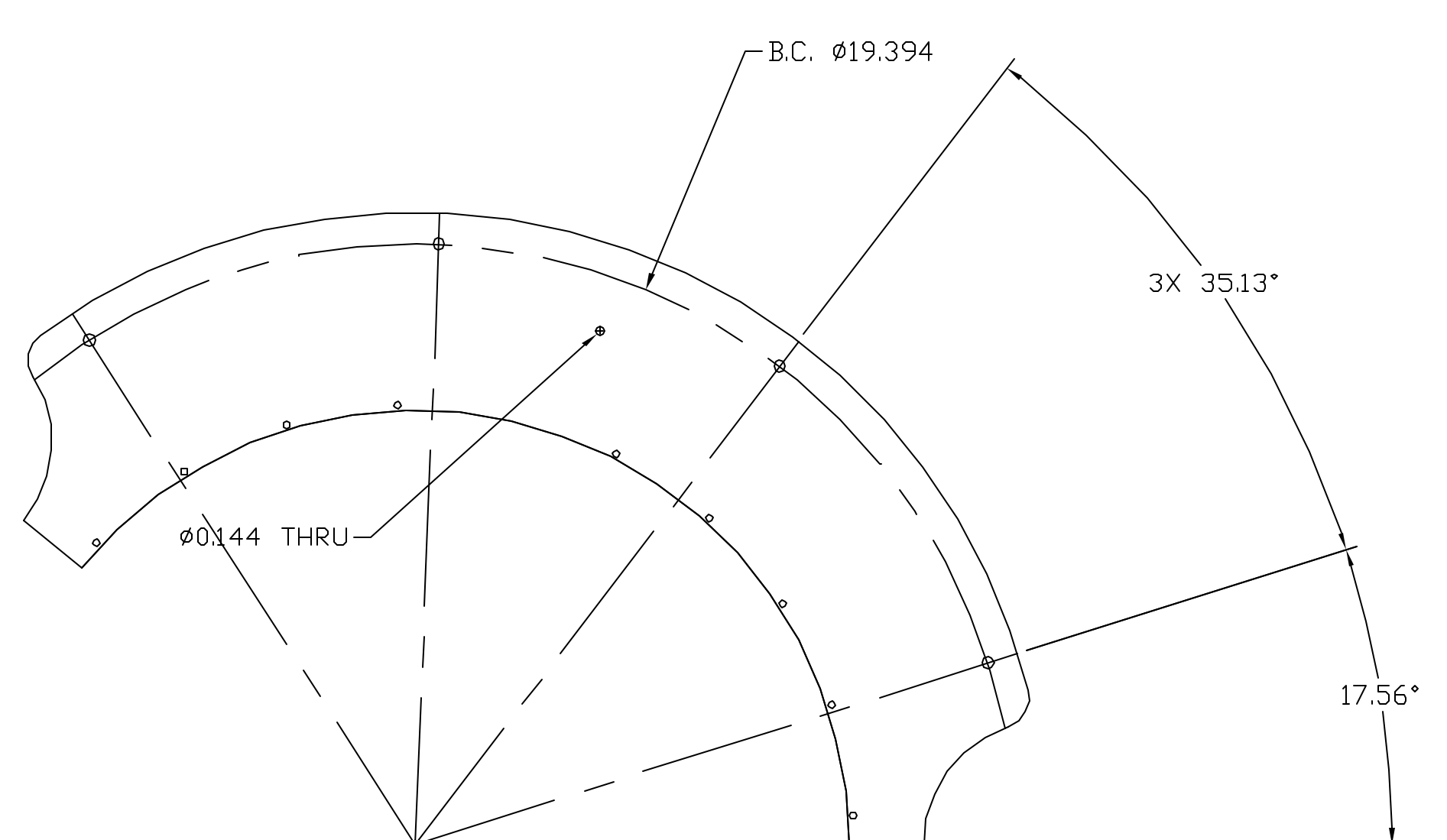
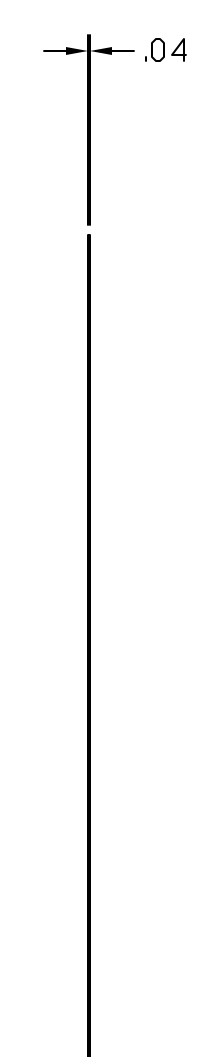
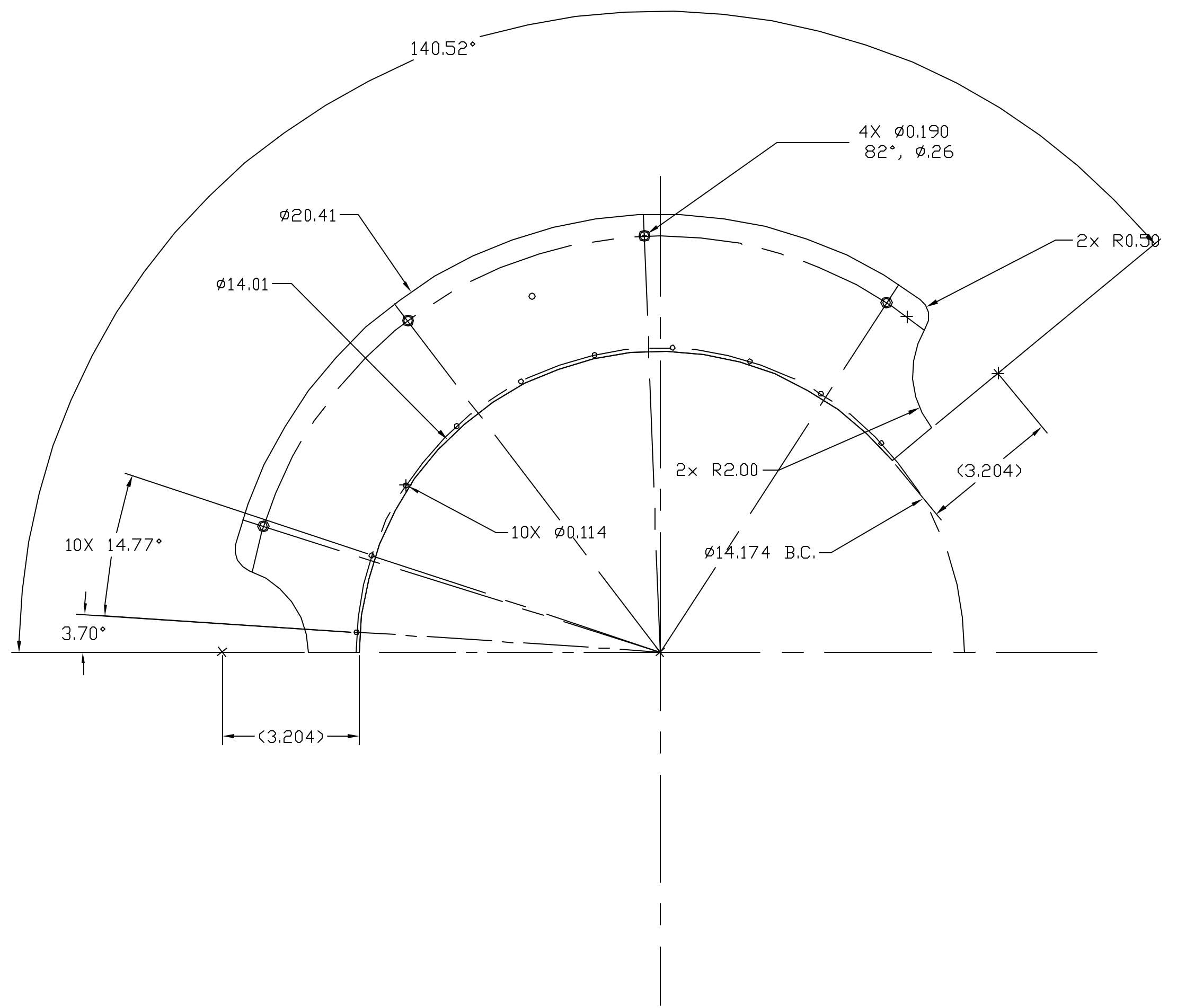
4

3

2

1

REVISIONS					
ECO	REV	DESCRIPTION	CHECKED	APPROVED	DATE
85-80	A	INITIAL RELEASE			



- NOTES:
 1. ALL DIMENSIONS ARE IN INCHES.
 2. DEBUR AND BREAK EDGES AND CORNERS
 3. BAG AND TAG WITH MIT PART NUMBER AND REVISION.

		UNLESS OTHERWISE SPECIFIED DIMENSIONS ARE IN INCHES TOLERANCE: ANGLES +/- 1' 3 PLACE DECIMALS +/- .005 2 PLACE DECIMALS +/- .01	NAME	DATE	Massachusetts Institute of Technology Center for Space Research VOILA			
			DRAWN	M. SMITH				
		MATERIAL 6061-T6, .040 THICK	CHECKED		SKIRT, PLATE PROJECTION			
			APPROVED					
			RELEASED					
85-40501	VOILA	FINISH			SIZE	FSCM NO.	DWG NO.	REV
NEXT ASSEMBLY	USED ON		C	80230	85-40501.01	A		
APPLICATION		CAD FILE	SCALE	1:1	SHEET	1 OF 1		

3

2

1