

REVISIONS					
ECO	REV	DESCRIPTION	CHECKED	APPROVED	DATE
85-94	01	INITIAL RELEASE			

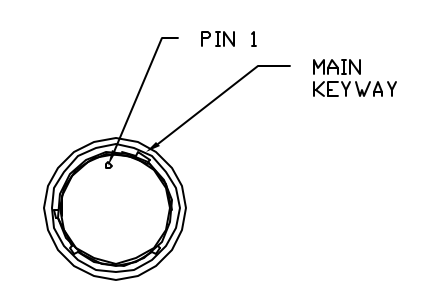
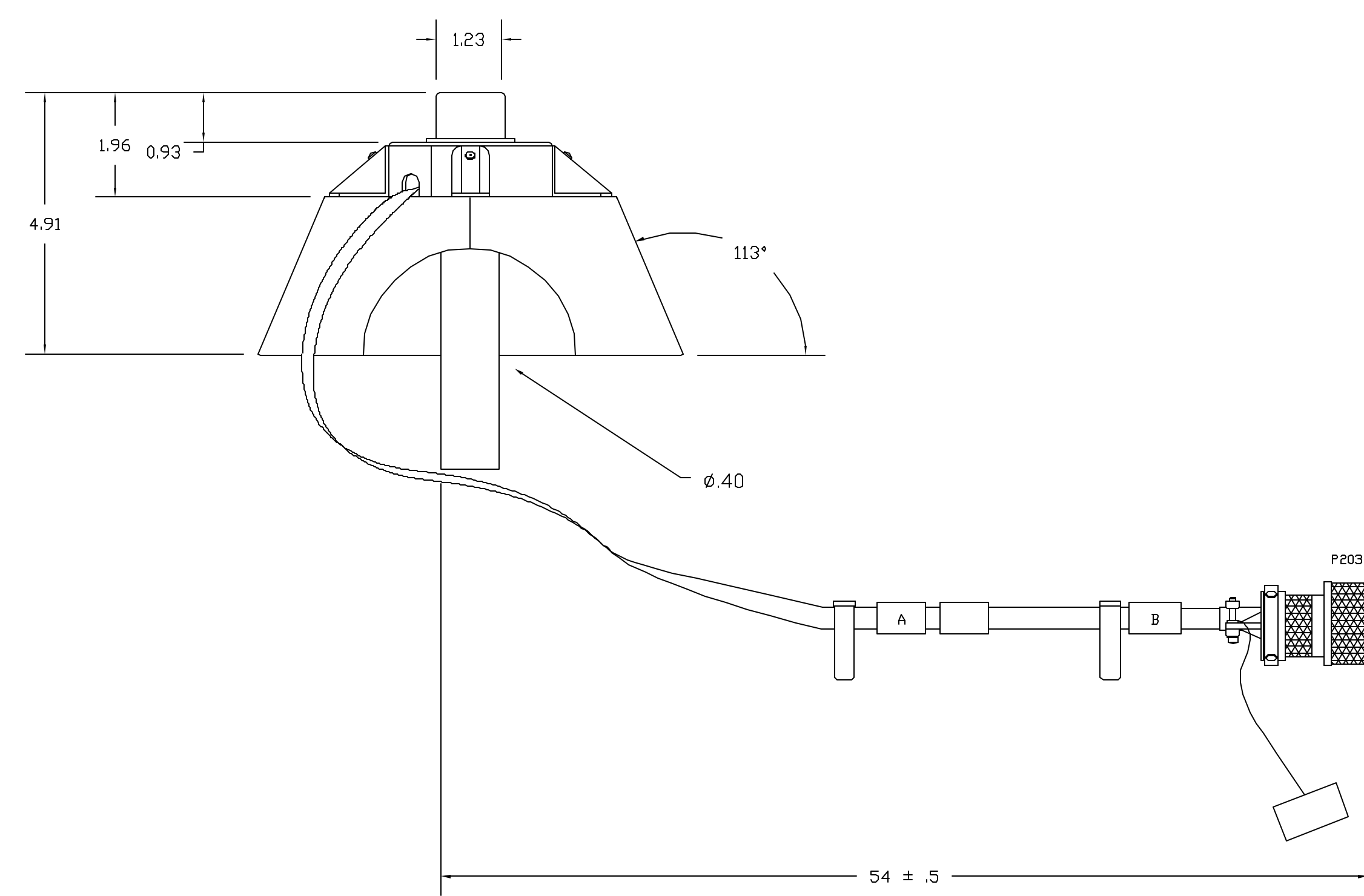
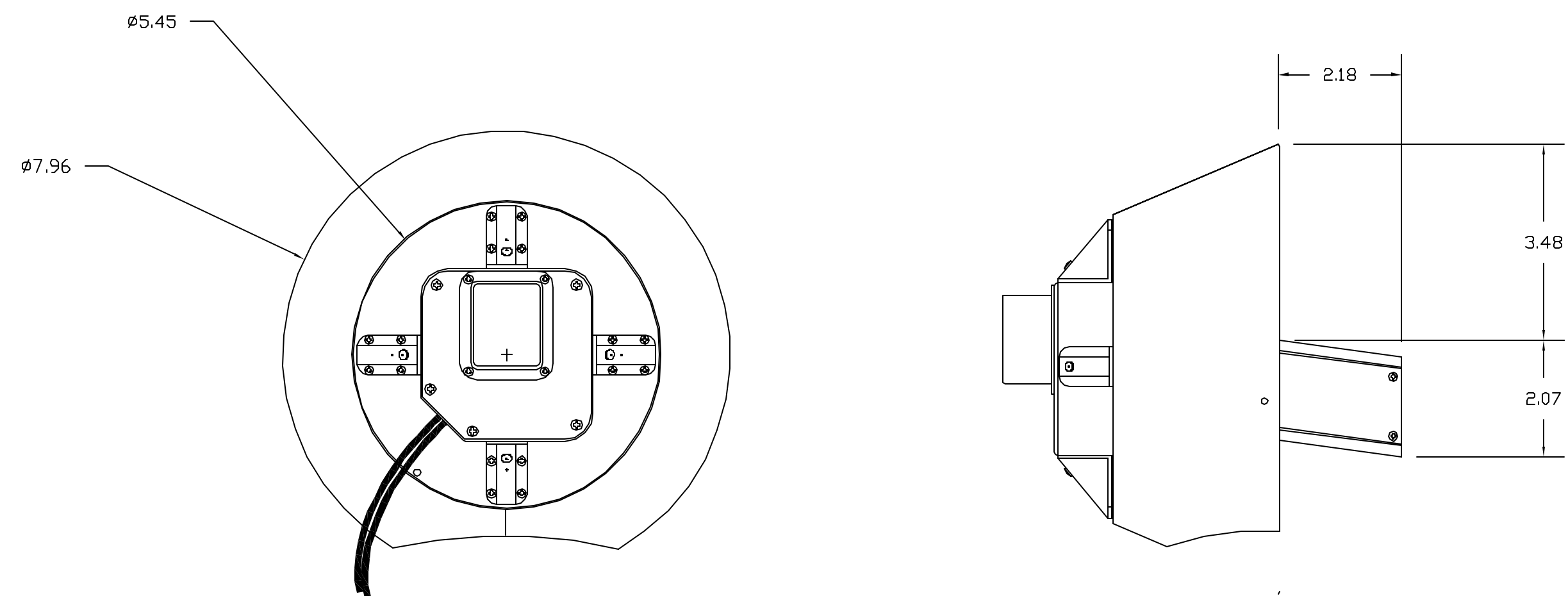


TABLE A

REF	TEXT
A	VOILA Paddle Assembly P/N 85-40500 S/N YXX <span style="border: 1px solid black; padding: 2px;">3</span>
B	P203 To VOILA Chestpack PADDLE J203

NOTES:  
 1. ALL DIMENSIONS ARE IN INCHES.  
 2. CABLE COIL DIAMETER IS ABOUT 10" x 2" HIGH.

3 SERIAL NUMBERS STARTING WITH 100 ARE TRAINING UNITS.  
 SERIAL NUMBERS STARTING WITH 300 ARE FLIGHT UNITS.

UNLESS OTHERWISE SPECIFIED DIMENSIONS ARE IN INCHES TOLERANCE: ANGLES +/- .1° 3 PLACE DECIMALS +/- .005 2 PLACE DECIMALS +/- .01		NAME	DATE	Massachusetts Institute of Technology Center for Space Research VOILA
MATERIAL		DRAWN	CHECKED	
FINISH		APPROVED	RELEASED	SIZE D 80230 DWG NO. 85-40500.99 REV 01
NEXT ASSEMBLY	USED ON	WEIGHT 2.5- 2.8 LBS	CAD FILE	