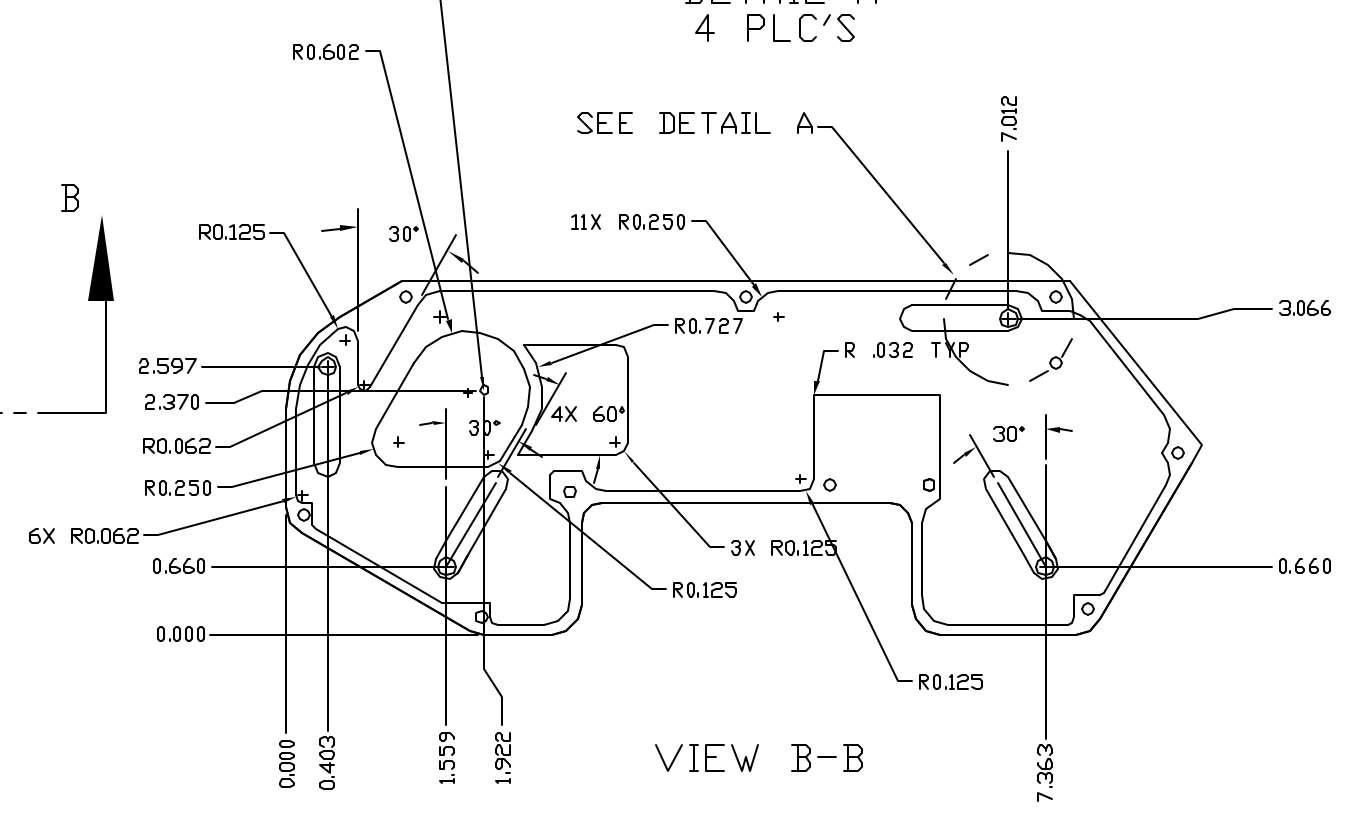
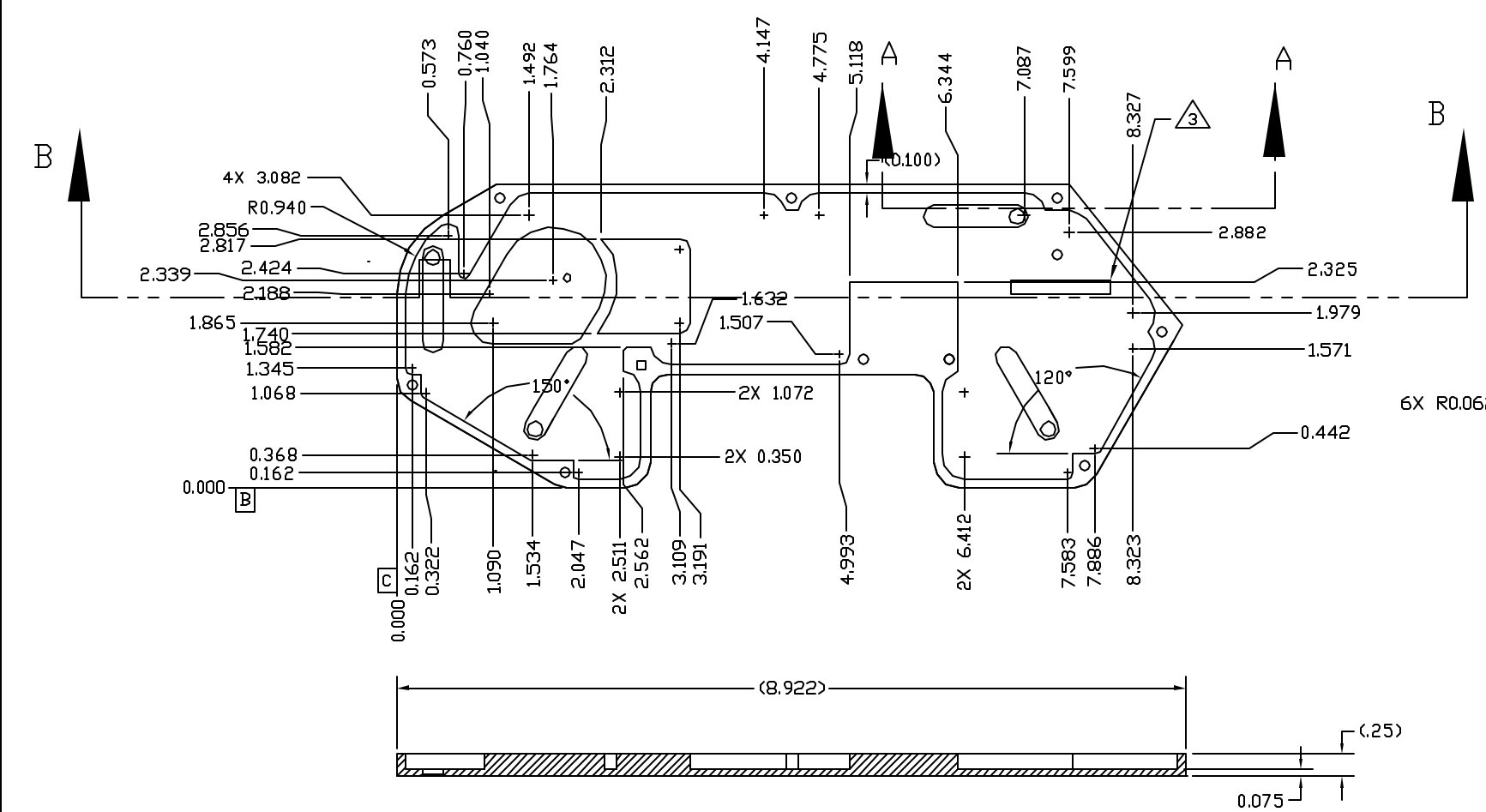
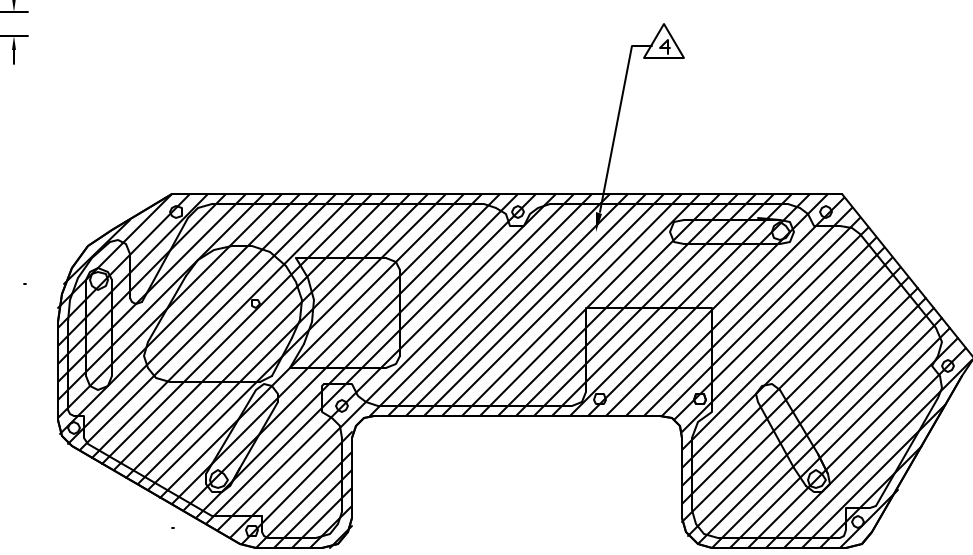
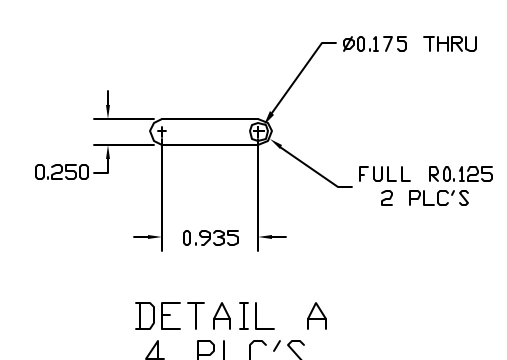
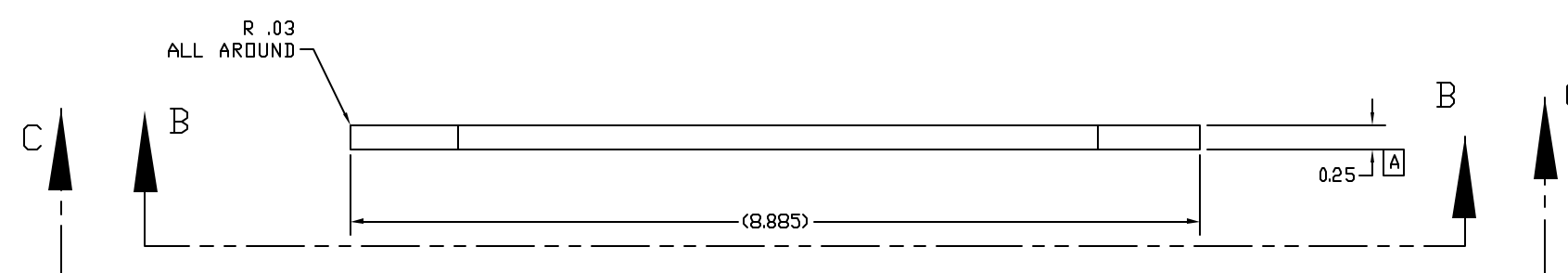
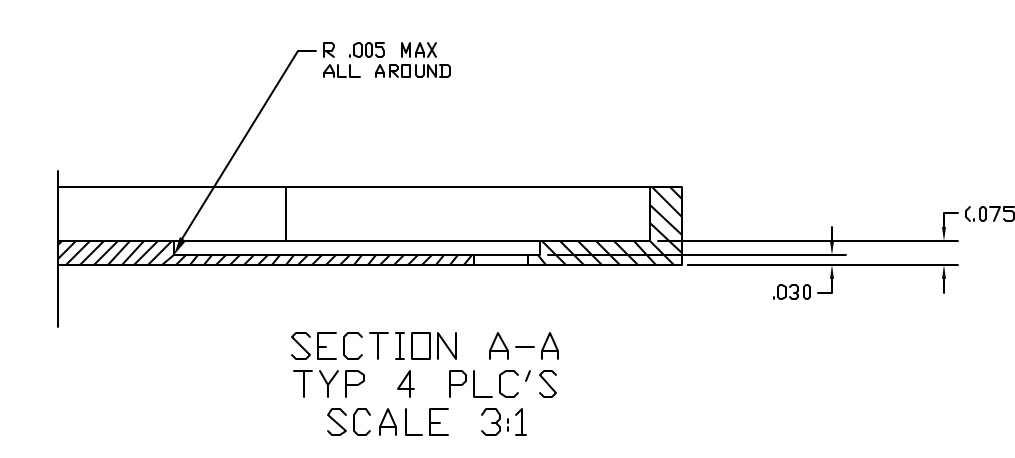
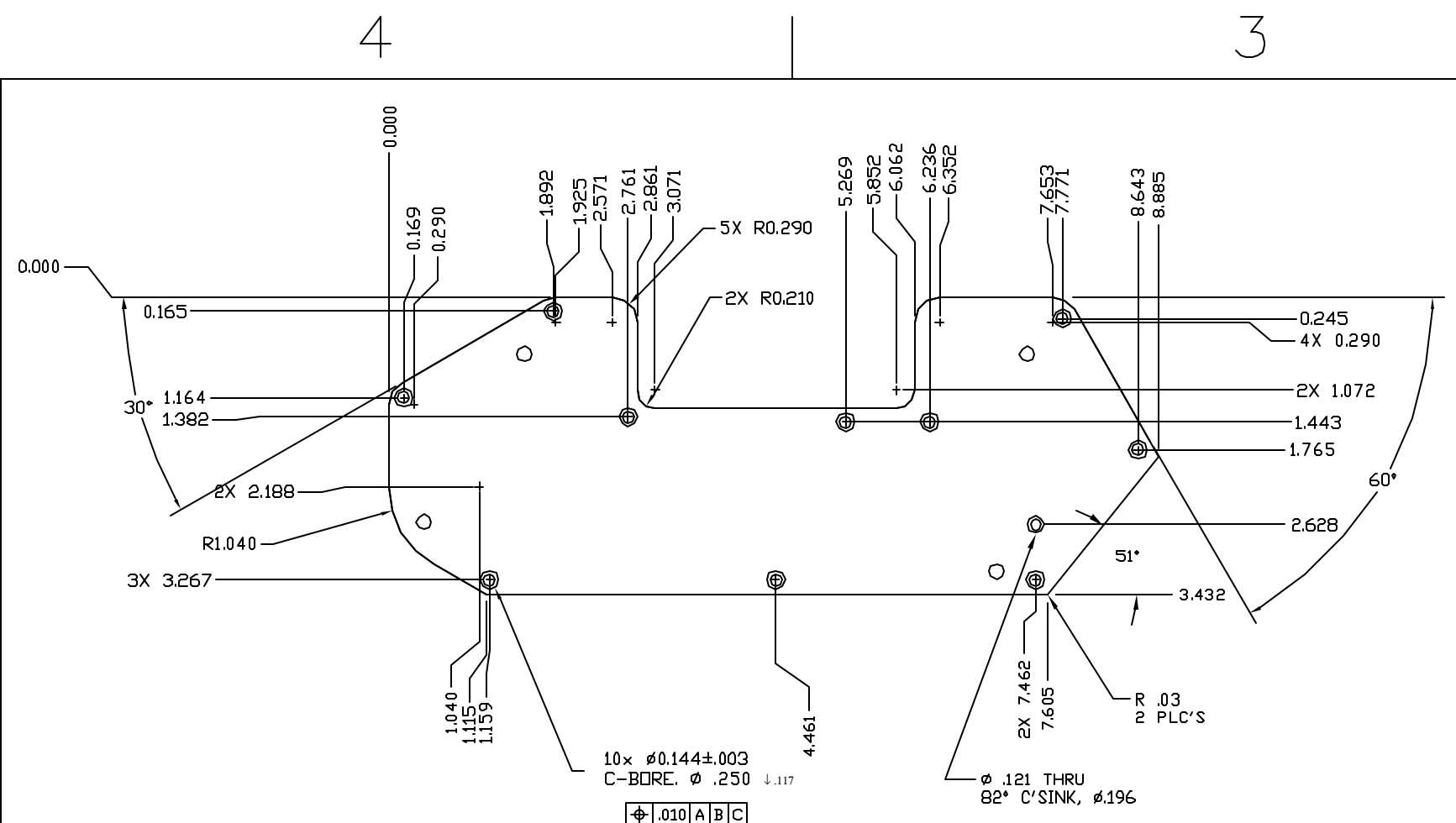


REVISIONS					
ECO	REV	DESCRIPTION	CHECKED	APPROVED	DATE
85-68	01	TRAINING UNIT RELEASE		M. SMITH	1/25/04
85-74	02	ADD MISSING DIMENSIONS		M.SMITH	3/8/04
85-81	03	CHANGE PROFILE		M.SMITH	4/16/04
85-183	A	RELEASE, ADD C'SINK HOLE			



SECTION B-B

- NOTES:
- CLEANLINESS REQUIREMENTS PER SN-C-0005 LEVEL VC-SENSITIVE.
  - ANODIZE PER NASA/JSC PRC 5006, CLASS 2 TYPE II, BLACK.
  - PERMANENT INK STAMP PN AND REV LETTER IN .12 HIGH CHARACTERS WITH ITEM 2. LOCATE APPROXIMATELY WHERE SHOWN. ENGRAVING IS ACCEPTABLE PRIOR TO FINISH.
  - MASK FROM ANODIZED FINISH. CONVERSION COAT PER MIL-C-5541, CLASS 3.
  - INSTALL INSERTS PER MS33537, REMOVE TANG. INSTALL AFTER FINISH.
  - DEBUR AND BREAK SHARP EDGES. CORNER RADIUS .06 MAX. FILLET RADIUS .03 MAX.

		UNLESS OTHERWISE SPECIFIED DIMENSIONS ARE IN INCHES TOLERANCE: ANGLES +/- 1' 3 PLACE DECIMALS +/- .005 2 PLACE DECIMALS +/- .01	NAME	DATE	Massachusetts Institute of Technology Center for Space Research VOILA PROJECT			
			DRAWN			COVER TOP, CHEST PACK		
		MATERIAL 6061-T6 AL	CHECKED					
			APPROVED					
85-40400	VOILA	NOTE 2,4 FINISH	RELEASED		SIZE D	FSCM NO. 80230	DWG NO. 85-40403	REV A
NEXT ASSEMBLY	USED ON		CAD FILE		SCALE 1:1	SHEET 1 OF 1		