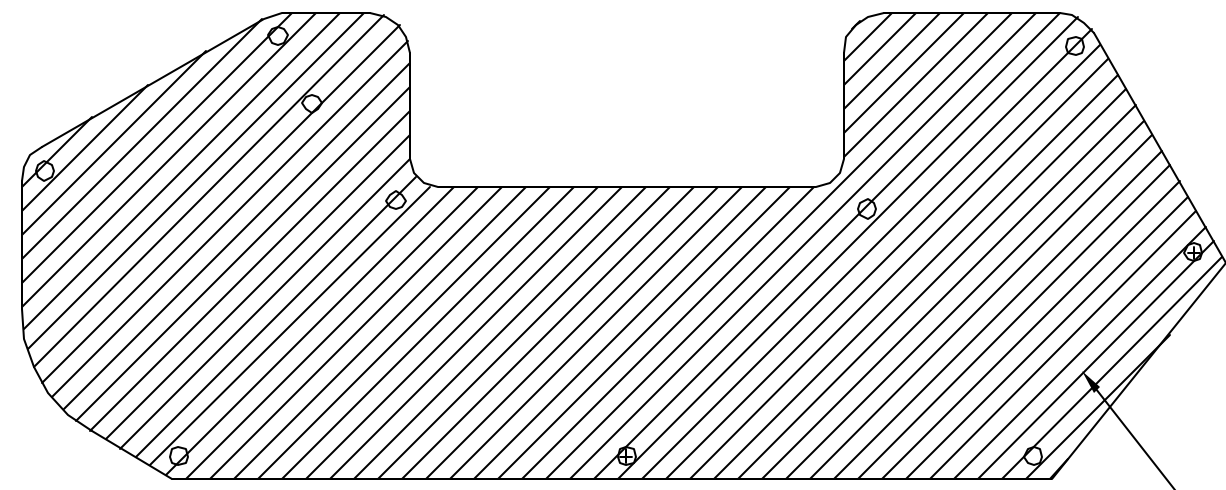
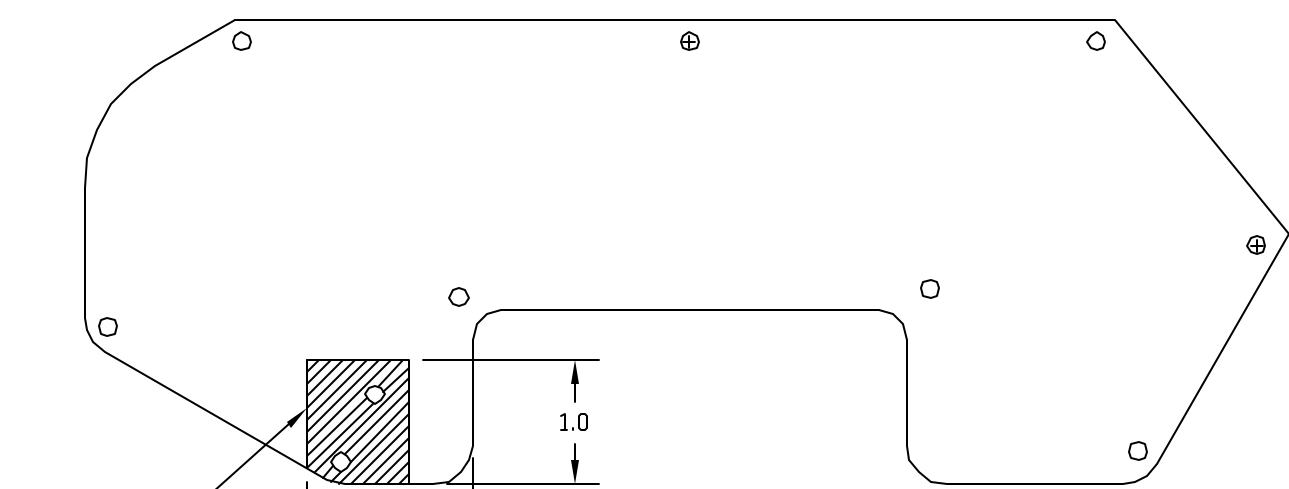


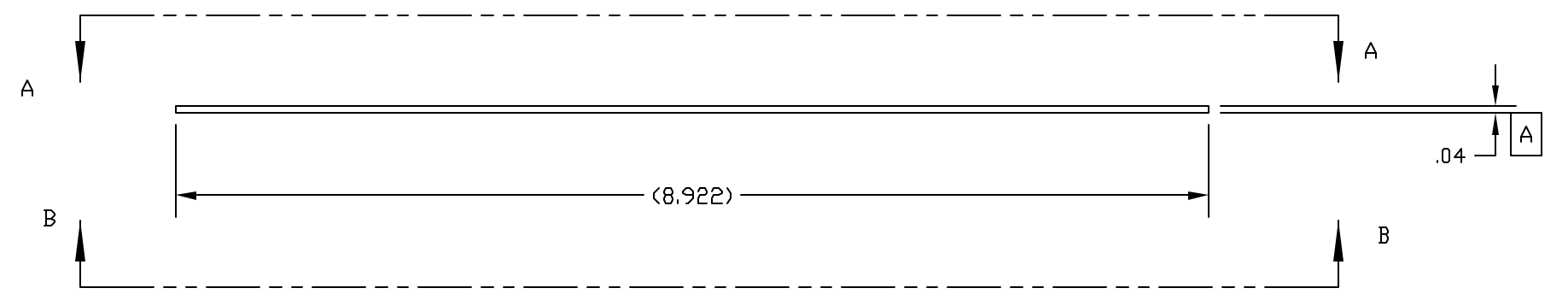
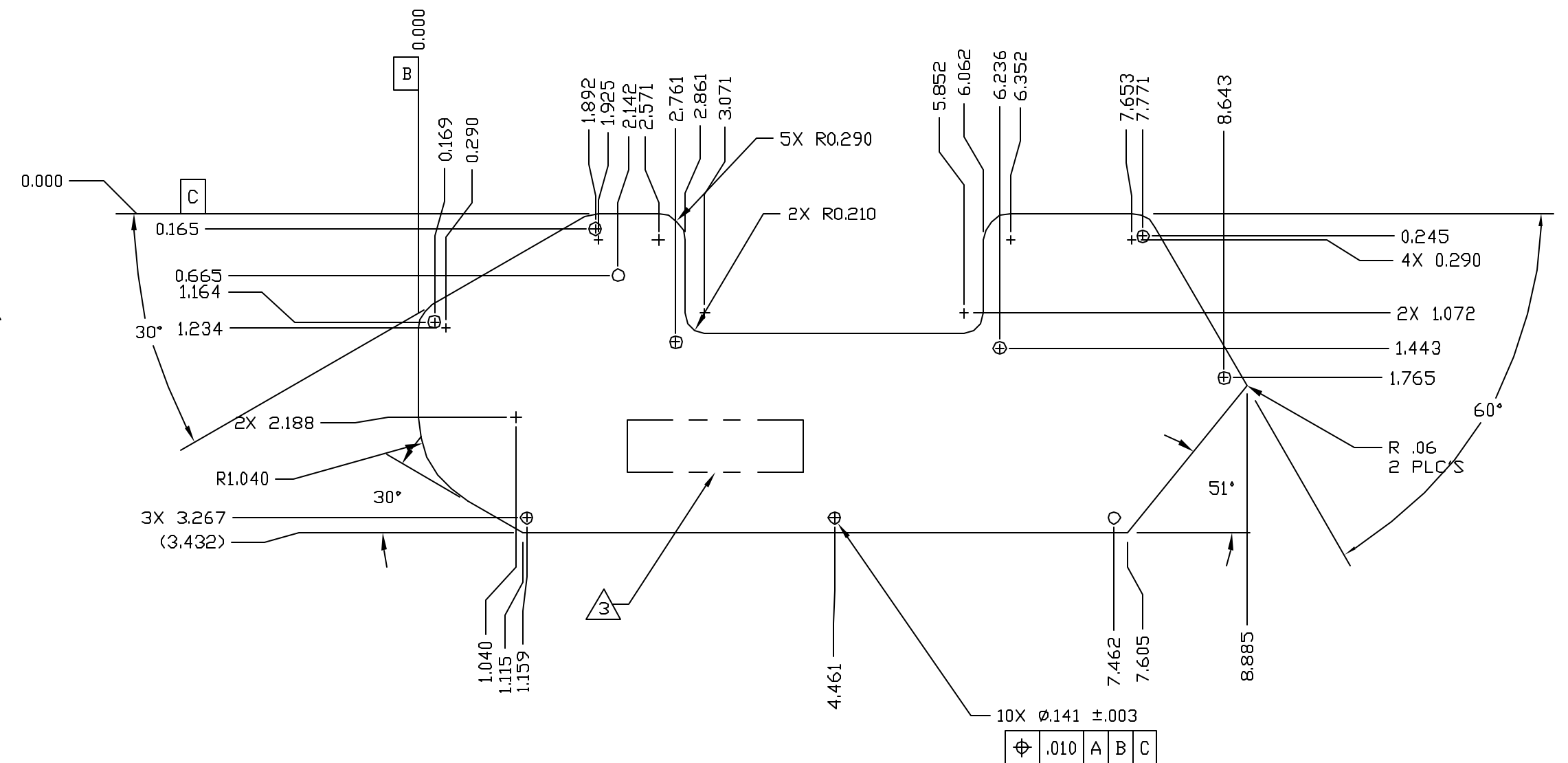
REVISIONS					
ECO	REV	DESCRIPTION	CHECKED	APPROVED	DATE
85-68	01	TRAINING UNIT RELEASE		M. SMITH	1/25/04
85-74	02	ADD HEIGHT DIM, CHGE HOLE DIA.		M.SMITH	3/8/04
85-81	A	RELEASE FOR MANUFACTURE	R. GOEKE	R. FOSTER	4/27/04
85-183	B	ADD SUPPORT BRACKET HOLE CHG Ø.173 TO Ø.141			



VIEW A-A



VIEW B-B



- NOTES:
- CLEANLINESS REQUIREMENTS PER SN-C-0005 LEVEL VC-SENSITIVE..
 - MASK FROM ANODIZED FINISH. CONVERSION COAT PER MIL-C-5541, CLASS 3.
 - PERMANENT INK STAMP PN AND REV LETTER IN .12 HIGH CHARACTERS WITH ITEM 1. LOCATE APPROXIMATELY WHERE SHOWN. ENGRAVING IS ACCEPTABLE.
 - ANODIZE PER NASA/JSC PRC 5006, CLASS 2 TYPE II, COLOR BLACK.
 - DEBUR AND BREAK SHARP EDGES.

		UNLESS OTHERWISE SPECIFIED DIMENSIONS ARE IN INCHES TOLERANCE: ANGLES +/- 1° 3 PLACE DECIMALS +/- .005 2 PLACE DECIMALS +/- .01	NAME	DATE	Massachusetts Institute of Technology Center for Space Research VOILA PROJECT			
			DRAWN	M. SMITH 4/27/04				
		MATERIAL 6061-T6	CHECKED	R. GOEKE 4/27/04	COVER BOTTOM MACHINE DRAWING, CHEST PACK			
			APPROVED	R. FOSTER 4/28/04				
			RELEASED	D. GAGE 5/28/04				
85-40400	VOILA	NOTE 4, 6 FINISH			SIZE	FSCM NO.	DWG NO.	REV
NEXT ASSEMBLY	USED ON		CAD FILE	SCALE	1:1	80230	85-40402	B
APPLICATION				SHEET		1 OF 1		