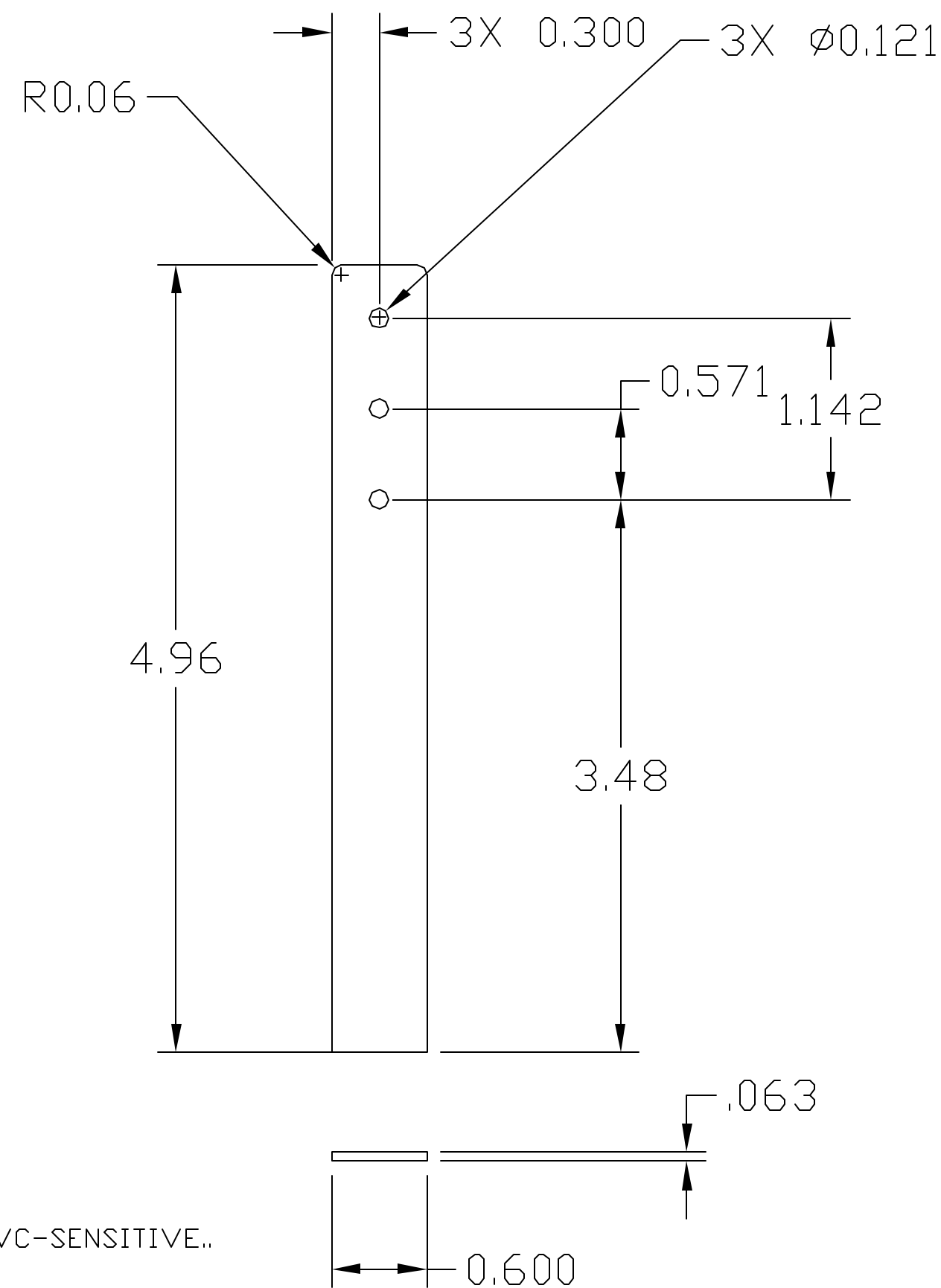


REVISIONS					
ZONE	REV	DESCRIPTION	CHECKED	APPROVED	DATE
85-184	A	RELEASE			



NOTES:

- CLEANLINESS REQUIREMENTS PER SN-C-0005 LEVEL VC-SENSITIVE..
- CHEM FILM PER MIL-C-5541, CALSS 3.
- BAG AND TAG WITH PART NUMBER AND REVISION.

		UNLESS OTHERWISE SPECIFIED DIMENSIONS ARE IN INCHES TOLERANCE: ANGLES +/- 1° 3 PLACE DECIMALS +/- .005 2 PLACE DECIMALS +/- .01	NAME	DATE	Massachusetts Institute of Technology Center for Space Research VOILA PROJECT			
			DRAWN		HEAD STRAP, FRONT			
		MATERIAL 5052 AL	CHECKED					
		NOTE 2 FINISH	APPROVED					
			RELEASED					
85-40100	VOILA				SIZE A	FSCM NO. 80230	DWG NO. 85-40173	REV A
NEXT ASSEMBLY	USED ON				SCALE 1:1		SHEET 1 OF 1	
APPLICATION			CAD FILE					

