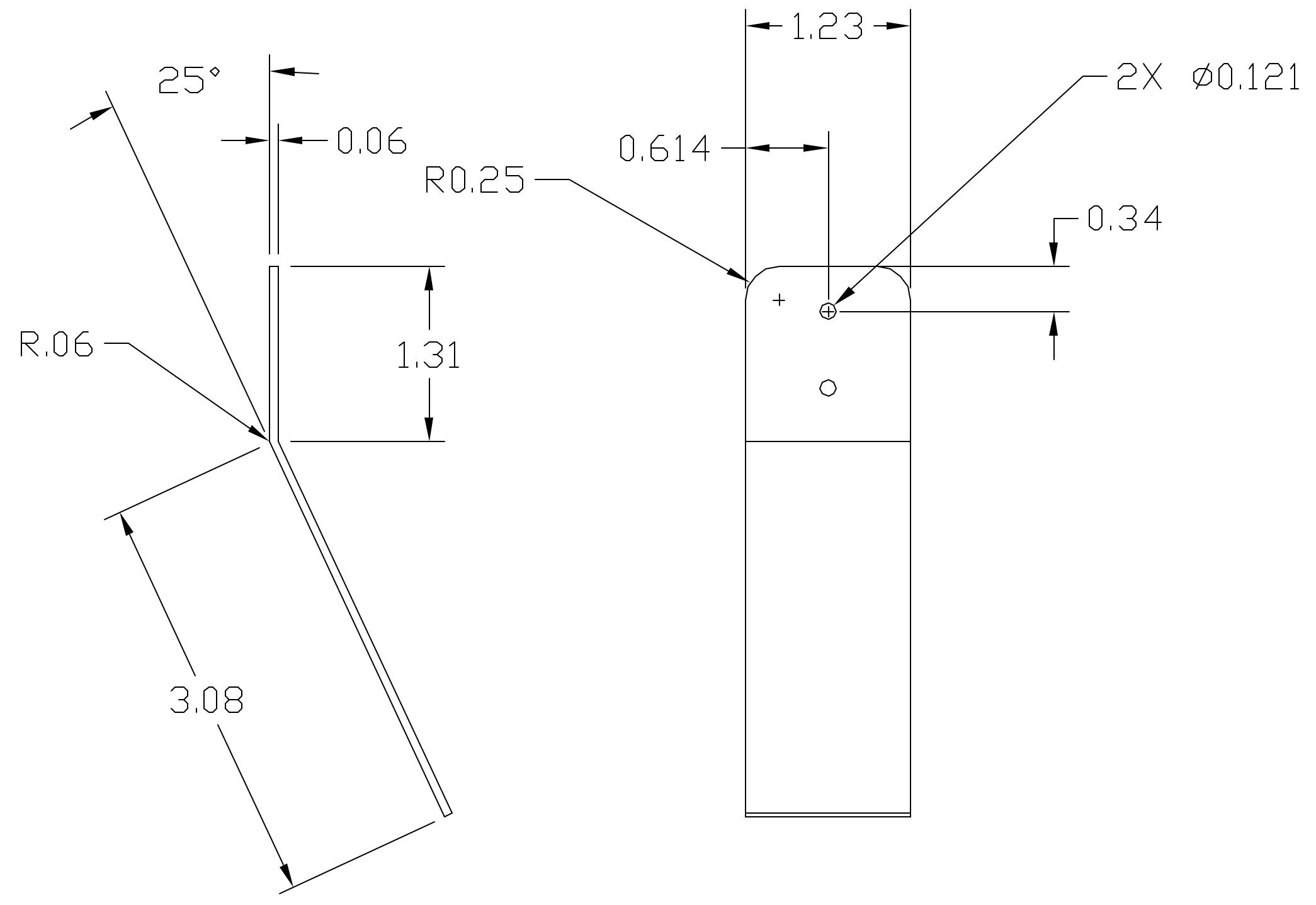


REVISIONS					
ZONE	REV	DESCRIPTION	CHECKED	APPROVED	DATE
85-184	A	RELEASE			



NOTES:

- CLEANLINESS REQUIREMENTS PER SN-C-0005 LEVEL VC-SENSITIVE..
- CHEM FILM PER MIL-C-5541, CALSS 3.
- BAG AND TAG WITH PART NUMBER AND REVISION.

		UNLESS OTHERWISE SPECIFIED DIMENSIONS ARE IN INCHES TOLERANCE: ANGLES +/- 1° 3 PLACE DECIMALS +/- .005 2 PLACE DECIMALS +/- .01	NAME	DATE	Massachusetts Institute of Technology Center for Space Research VOILA PROJECT			
			DRAWN					
		MATERIAL 5052 AL	CHECKED		HEAD STRAP, SIDE			
			APPROVED					
85-40100	VOILA	NOTE 2 FINISH	RELEASED		SIZE A	FSCM NO. 80230	DWC NO. 85-40172	REV A
NEXT ASSEMBLY	USED ON		SCALE 1:1	CAD FILE		SHEET 1 OF 1		

